

## **4" Single Handle Lavatory Faucet**



### **FEATURES & BENEFITS**

- This Product Contains Less Than 0.25% Weighted Average Lead Content On Wetted Surfaces
- Metal Lever Handle
- Stainless Steel Ball Valve
- Brass Pop-up
- Max Flow Rate 1.2 GPM (4.5 L/MIN) At 60 PSI (ASME A112.18.1M/A112.18.1)

OPV-500C  
Chrome Finish

OPV-500CL  
Less Pop-up  
Chrome Finish

### **APPROVALS:**

**Meets or Exceeds The Following:**

- \* ANSI/ASME A112.18.1M/A112.18.1
- \* NSF/ANSI/CAN 61 – Sec. 9: Q≤1
- \* NSF/ANSI/CAN 372
- \* IAPMO/cUPC
- \* CA AB1953



NSF/ANSI/CAN 372  
NSF/ANSI/CAN 61 & 62



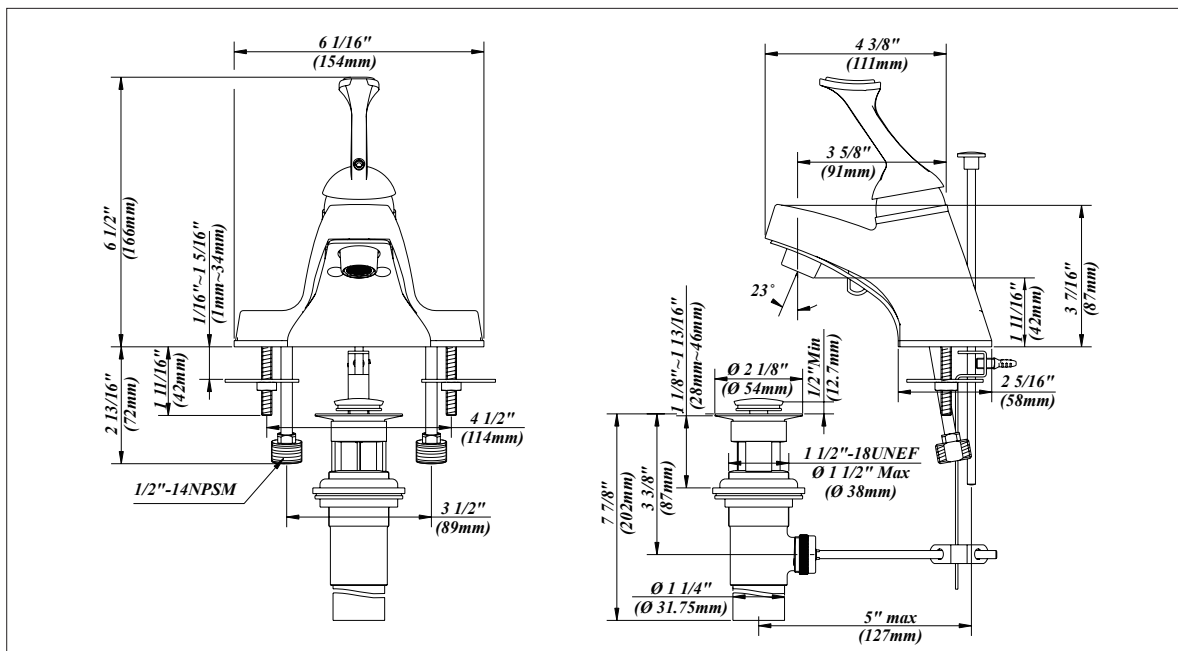
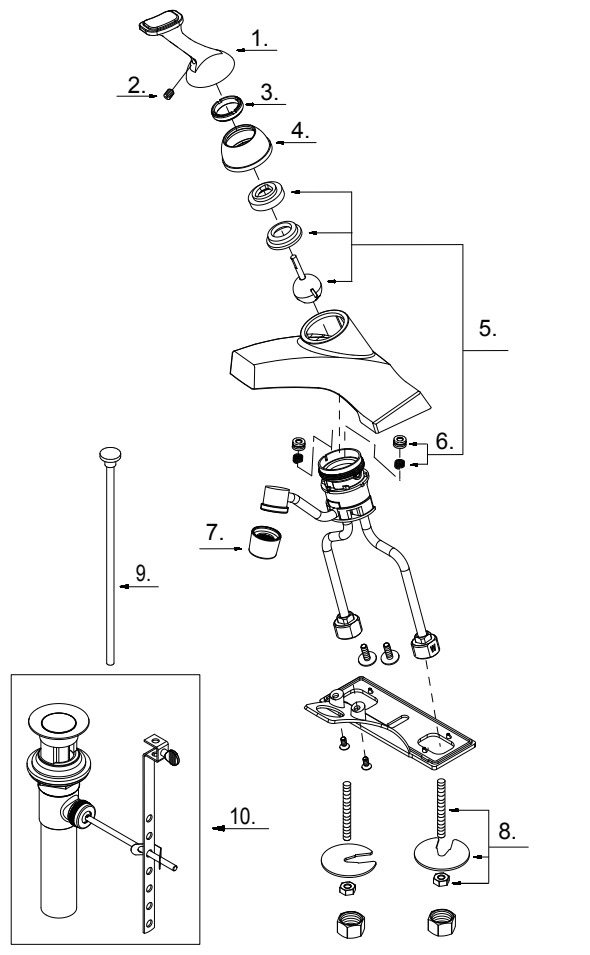
**Product Spec Sheet**

**TEL: 800-217-4603**

**Visit Our Web Site : [www.omniprofaucets.com](http://www.omniprofaucets.com)**

# 4" Single Handle Lavatory Faucet

No.	Name	Part No.
1	Metal Handle	A029004
2	Screw (1/4" -28UNF * 5/16" L)	A008002
3	Locking Nut	A104001
4	Trim Cap	A103022
5	Ball Valve Assembly	A66D641N
6	Seat & Spring Set	A663002
7	Aerator	A500267N-64
8	Mounting Hardware	A663638
9	Lift Rod	A025011
10	Pop-up Assembly	A556200



**Product Spec Sheet**

TEL: 800-217-4603

Visit Our Web Site : [www.omniprofaucets.com](http://www.omniprofaucets.com)