

Two Handle Tub & Shower Faucet



FEATURES & BENEFITS

- Acrylic Round Handles
- Washerless Cartridges
- Non Pressure Balanced
- Diverter Slip Fit Spout
- Max Flow Rate 1.75 GPM (6.6 L/MIN) At 80 PSI
- Min Flow Rate 1.65 GPM (6.25 L/MIN) At 45 PSI
(ASME A112.18.1M/A112.18.1)

OPV-832C
Tub & Shower Faucet
Chrome Finish

OPV-822C
Less Spout
Chrome Finish

APPROVALS:

Meets or Exceeds The Following:

* ANSI/ASME A112.18.1M/A112.18.1



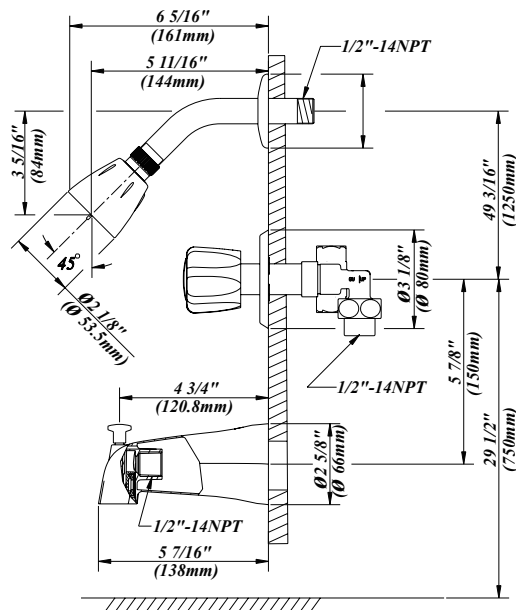
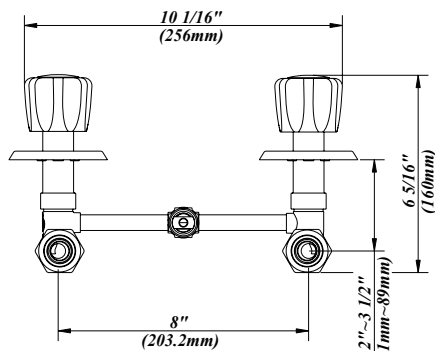
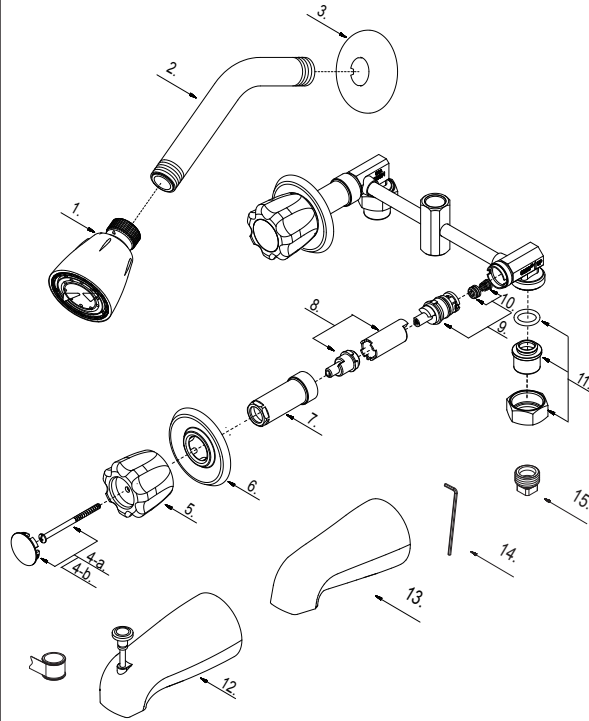
* WaterSense Only On Models Containing Showerheads

TEL: 800-217-4603

Visit Our Web Site : www.omniprofaucets.com

Two Handle Tub & Shower Faucet

No.	Name	Part No.
1	Shower Head	S1214202
2	Shower Arm	A020002
3	Shower Arm Flange	A019001
4-a	Index Button-Cold	A66D694C
4-b	Index Button-Hot	A66D694H
5	Acrylic Handle	A029001
6	Escutcheon	A111001-S
7	Sleeve	A216106
8	Stem Extension-Hot	A517000H
9	Cartridge Assembly	A66D636N
10	Seat & Spring Set	A663002
11	Union Nut	A603668
12	Spout W/Diverter	A118011
13	Spout Less Diverter	A132025
14	Hex Wrench (H 3.18 * 20 mm L * 90 mm L)	A031017NI
15	Plug	A028004



Product Spec Sheet