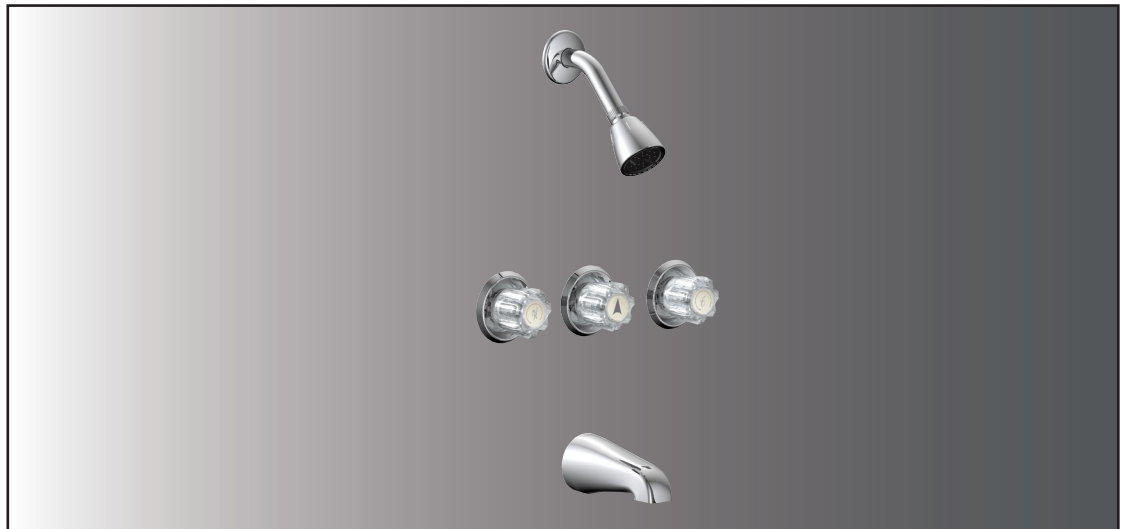


## **Three Handle Tub & Shower Faucet**

# Product Spec Sheet



### **FEATURES & BENEFITS**

- Acrylic Round Handles
- Washerless Cartridges
- Non Pressure Balanced
- Spout Without Diverter
- Max Flow Rate 1.75 gpm (6.6 L/min) at 80 psi
- Min Flow Rate 1.3 gpm (4.92 L/min) at 45 psi (ASME A112.18.1M/A112.18.1)

OPV-872C  
Chrome Finish

#### **APPROVALS:**

**Meets or Exceeds The Following:**

\* ANSI/ASME A112.18.1M/A112.18.1



\* WaterSense Only On Models Containing Showerheads

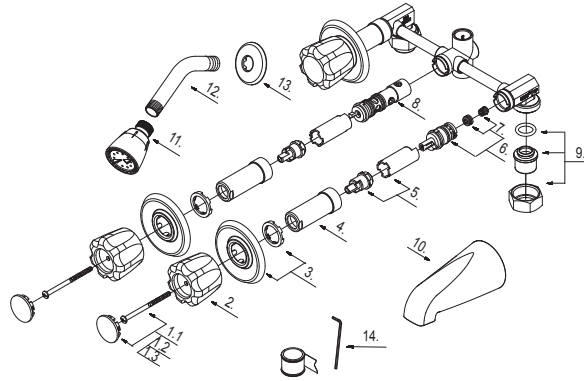
**TEL: 800-217-4603**

**FAX: 877-992-2846**

Visit Our Web Site : [www.omniprofaucets.com](http://www.omniprofaucets.com)

# Three Handle Tub & Shower Faucet

| No. | Name                                     | Part No.  |
|-----|--|-----------|
| 1.1 | Index Button-Cold                        | A66D694C  |
| 1.2 | Index Button-Hot                         | A66D694H  |
| 1.3 | Index Button-Diverter                    | A66D694M  |
| 2   | Acrylic Handle                           | A029001   |
| 3   | Escutcheon                               | A111001-S |
| 4   | Sleeve                                   | A216106   |
| 5   | Stem Extension-Hot                       | A517000H  |
| 6   | Cartridge Assembly                       | A66D636N  |
| 7   | Seat & Spring Set                        | A663002   |
| 8   | Diverter Cartridge                       | A501016   |
| 9   | Union Nut                                | A603668   |
| 10  | Spout                                    | A132025   |
| 11  | Shower Head                              | S1213202  |
| 12  | Shower Arm                               | A020002   |
| 13  | Shower Arm Flange                        | A019001   |
| 14  | Hex Wrench<br>(H3.18 *20 mm L * 90 mm L) | A031017NI |



# Product Spec Sheet

