



**24" SIGNATURE SERIES
REFRIGERATED DRAWERS**



ecofriendly
R600a Refrigerant



JOB	
AREA	
ITEM NO.	
MODEL NO.	



Drawer Model

MODELS	DESCRIPTION
HP24RS-4-5	Indoor Signature Series Refrigerated Stainless Steel Drawers
HP24RS-4-6	Indoor Signature Series Refrigerated Panel Ready Drawers
HP24RO-4-5	Outdoor Signature Series Refrigerated Stainless Steel Drawers
HP24RO-4-6	Outdoor Signature Series Refrigerated Panel Ready Drawers

KEY PRODUCT FEATURES AND BENEFITS

- 1000 BTU/hr capacity delivers industry’s most energy efficient cool down; indoors or outdoors
- Up to 70% faster cooling speeds than leading competitor
- Variable speed compressor minimizes sound, up to 30% quieter than competitors
- Commercial-grade all stainless steel interior and exterior provide superior durability and easy cleaning
- Perlick Anti-Condensation System™ eliminates condensation from forming on the cabinet (outdoor models only)

Quick Features:

- Smooth glide self closing drawers offer high storage capacity
- Industry’s best full 6 year warranty for owner ease of mind
- Available with stainless steel or panel ready drawer to match your design style
- Audible door alarm warns user if drawer is held open
- White LED task lighting
- R600a Natural Refrigerant offers maximum energy efficiency with zero global warming potential



**24" SIGNATURE SERIES
REFRIGERATED DRAWERS**

MODEL NUMBERS		HP24RS	HP24RO
MODEL DESCRIPTION		24" Indoor Refrigerated Drawers	24" Outdoor Refrigerated Drawers
ATTRIBUTES			
Perlick Anti-Condensation System		NO	YES
Energy Star Certified		YES	YES
OVERALL DIMENSIONS	Width - in. (mm)	23-7/8" (606 mm.)	23-7/8" (606 mm.)
	Depth - in. (mm)	24" (610 mm.)	24" (610 mm.)
	Height - in. (mm)	34-1/4" (870 mm.)	34-1/4" (870 mm.)
OPENING DIMENSIONS	Width - in. (mm)	24" (610 mm.)	24" (610 mm.)
	Depth - in. (mm)	24" (610 mm.)	24" (610 mm.)
	Height - in. (mm)	34-1/2" (876 mm.)	34-1/2" (876 mm.)
INTERNAL VOLUME Net. Cu. Ft. (L)		5.2 cu. ft.	5.2 cu. ft.
SHIPPING WEIGHT Lbs. (kg.)		191 lbs (68.04 kg.)	191 lbs (68.04 kg.)
ELECTRICAL SPECIFICATIONS	Electrical Supply	115 VAC/60 Hz/1 Ph	115 VAC/60 Hz/1 Ph
	Running Load Amps	2.2 amps	2.2 amps
	Electrical Connection	Cord connected	Cord connected
	Cord Plug Type	NEMA 3 Prong 5-15P	NEMA 3 Prong 5-15P
	Cord Length	6'	6'
	Defrost Initiation	Automatic	Automatic
	Defrost Type	Off cycle	Off cycle
	Thermostat	Digital	Digital
REFRIGERATION SPECIFICATIONS	Refrigerant	R600a (50g)	R600a (50g)
	Expansion Device	Capillary Tube	Capillary Tube
	Temperature Settings F (C)	33° (0.5) - 48° (8.8) Factory Set Point 36°(2.2°)	33° (0.5) - 48° (8.8) Factory Set Point 36°(2.2°)
	Heat Rejection (at 75°F)	450 BTU/hr	450 BTU/hr
	Pull Down Capacity	1000 BTU/hr	1000 BTU/hr
	Front Vented	Yes	Yes
PLUMBING		None Required	None Required

Installation Notes: To achieve 24" install depth, you must recess the outlet 7/8" into the wall directly behind the unit, or place electrical connection adjacent to the installation cavity.

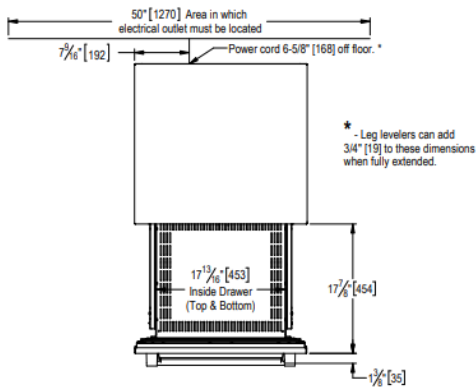
ACCESSORIES

MODEL NOS.	DESCRIPTION
(L)	Factory Installed Lock
67991-L/R	Stacking Kit for HP24/HC24/HA24 models
66736	Caster Kit for HP24/HC24/HA24 models
RK24DP	Drawer Pan Tray (3 SS pans with covers)

Perlick accessories are available for purchase through an authorized Perlick dealer. For a full list of accessories and to find a dealer near you, visit perlick.com

Perlick® 24" SIGNATURE SERIES
REFRIGERATED DRAWERS

CUSTOMER MODEL NUMBER	REGULATORY MODEL NUMBER	Hinge Side	Lock
HP24RS-4-5	HP24RS4E-00-EDF0D	Drawers	No
HP24RS-4-6	HP24RS4E-00-DD00D	Drawers	No
HP24RS-4-5DL	HP24RS4E-00-EDFLD	Drawers	Yes
HP24RS-4-6DL	HP24RS4E-00-DD0LD	Drawers	Yes
HP24RO-4-5	HP24RO4E-00-EDF0D	Drawers	No
HP24RO-4-6	HP24RO4E-00-DD00D	Drawers	No
HP24RO-4-5DL	HP24RO4E-00-EDFLD	Drawers	Yes
HP24RO-4-6DL	HP24RO4E-00-DD0LD	Drawers	Yes



Drawer Models

