

**Perlick®** 24" SIGNATURE SERIES  
ADARA BEVERAGE DISPENSER



eco friendly  
R600a Refrigerant



|           |  |
|-----------|--|
| JOB       |  |
| AREA      |  |
| ITEM NO.  |  |
| MODEL NO. |  |



Solid Door Model



650SS Forward Sealing Flow Control Beer Faucet

Available with 1 or 2 faucets  
(2 faucet shown)

| MODELS           | DESCRIPTION   |
|------------------|---|
| HP24TS-4-1L/R-1A | Indoor Signature Series Adara Beverage Dispenser Solid Stainless Steel Door 1 Faucet  |
| HP24TS-4-2L/R-1A | Indoor Signature Series Adara Beverage Dispenser Solid Panel Ready Door 1 Faucet      |
| HP24TS-4-1L/R-2A | Indoor Signature Series Adara Beverage Dispenser Solid Stainless Steel Door 2 Faucets |
| HP24TS-4-2L/R-2A | Indoor Signature Series Adara Beverage Dispenser Solid Panel Ready Door 2 Faucets     |

**KEY PRODUCT FEATURES AND BENEFITS**

- 1000 BTU/hr capacity delivers industry's most energy efficient cool down; indoors or outdoors
- Up to 70% faster cooling speeds than leading competitor
- Variable speed compressor minimizes sound; up to 30% quieter than competitors
- Commercial-grade all stainless steel interior and exterior provide superior durability and easy cleaning

**Quick Features:**

- Forced air refrigeration technology ensures consistent temperature throughout entire keg, maintaining flavor better than other brands
- Industry's best full 6 year warranty for owner ease of mind
- Available with stainless steel or panel ready doors to match your design style
- Audible door alarm warns user if door is held open
- White LED task lighting
- R600a Natural Refrigerant offers maximum energy efficiency with zero global warming potential
- Accommodates two (2) 1/6 barrels or one (1) 1/4 slim or standard barrel



One 1/4 barrel  
(standard or slim)



Two 1/6 barrel



**24" SIGNATURE SERIES  
ADARA BEVERAGE DISPENSER**

| MODEL NUMBERS                    |                            | HP24TS  |
|----------------------------------|----------------------------|---|
| MODEL DESCRIPTION                |                            | 24" Indoor Beverage Dispenser - Adara Tower                 |
| ATTRIBUTES                       |                            |   |
| Perlick Anti-Condensation System |                            | NO  |
| Energy Star Certified            |                            | NO  |
| OVERALL DIMENSIONS               | Width - in. (mm)           | 23-7/8" (606 mm.)   |
|                                  | Depth - in. (mm)           | 24" (610 mm.)   |
|                                  | Height - in. (mm)          | 34-1/4" (870 mm.)   |
| OPENING DIMENSIONS               | Width - in. (mm)           | 24" (610 mm.)   |
|                                  | Depth - in. (mm)           | 24-7/8" (632 mm.)   |
|                                  | Height - in. (mm)          | 34-1/2" (876 mm.)   |
| INTERNAL VOLUME Net. Cu. Ft. (L) |                            | 5.2 cu. ft.   |
| SHIPPING WEIGHT Lbs. (kg.)       |                            | 222 lbs (100.7 kg.)   |
| ELECTRICAL SPECIFICATIONS        | Electrical Supply          | 115 VAC/60 Hz/1 Ph  |
|                                  | Running Load Amps          | 2.2 amps  |
|                                  | Electrical Connection      | Cord connected  |
|                                  | Cord Plug Type             | NEMA 3 Prong 5-15P  |
|                                  | Cord Length                | 6'  |
|                                  | Defrost Initiation         | Automatic   |
|                                  | Defrost Type               | Off cycle   |
|                                  | Thermostat                 | Digital   |
| REFRIGERATION SPECIFICATIONS     | Refrigerant                | R600a (50g)   |
|                                  | Expansion Device           | Capillary Tube  |
|                                  | Temperature Settings F (C) | 33° (0.5) - 48° (8.8)<br><b>Factory Set Point 36°(2.2°)</b> |
|                                  | Heat Rejection (at 75°F)   | 450 BTU/hr  |
|                                  | Pull Down Capacity         | 1000 BTU/hr   |
|                                  | Front Vented               | Yes   |
| PLUMBING                         |                            | None Required   |

*Installation Notes: To achieve 24" install depth, you must recess the outlet 7/8" into the wall directly behind the unit, or place electrical connection adjacent to the installation cavity.*

**ACCESSORIES**

| MODEL NOS. | DESCRIPTION                               |
|------------|---|
| (L)        | Factory Installed Lock                    |
| 66736      | Caster Kit for HP24/HC24/HA24 models      |
| 63797      | Beer Dispenser Cleaning Kit               |
| 40030S     | Keg Coupler, Lo-Boy "S" Series            |
| 67141-1    | Perlick Faucet Handle                     |
| BLC4/32    | Beer Dispenser Sanitizer (4oz. or 32 oz.) |

Perlick accessories are available for purchase through an authorized Perlick dealer. For a full list of accessories and to find a dealer near you, visit [perlick.com](http://perlick.com)

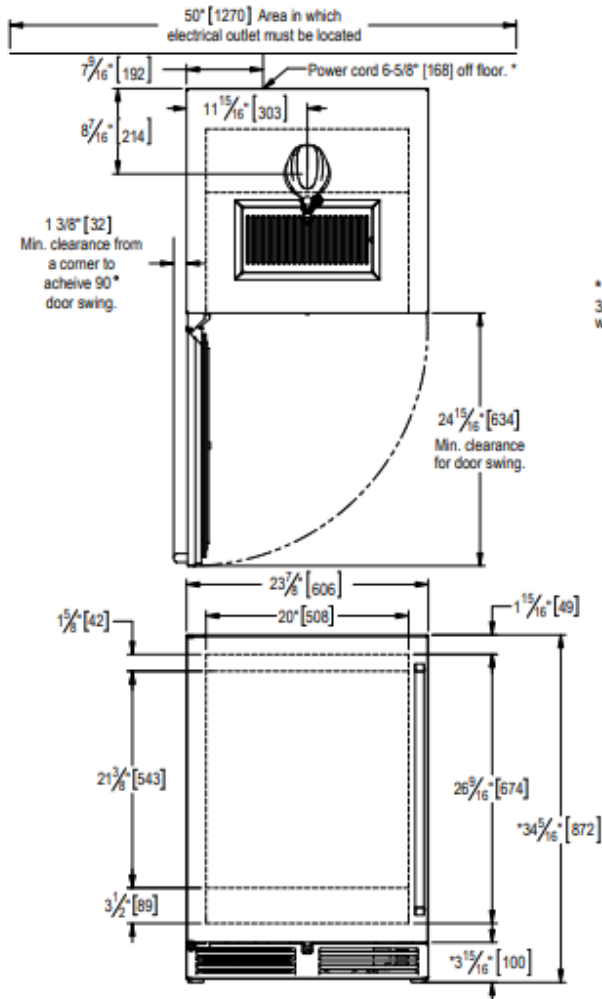


**24" SIGNATURE SERIES  
ADARA BEVERAGE DISPENSER**

| CUSTOMER MODEL NUMBER | REGULATORY MODEL NUMBER | Hinge Side | Lock |
|-----------------------|-------------------------|------------|------|
| HP24TS-4-1L-1A        | HP24TS4C-E0-SLF0T       | Left       | No   |
| HP24TS-4-1R-1A        | HP24TS4C-E0-SRF0T       | Right      | No   |
| HP24TS-4-2L-1A        | HP24TS4C-E0-PL00T       | Left       | No   |
| HP24TS-4-2R-1A        | HP24TS4C-E0-PR00T       | Right      | No   |
| HP24TS-4-1L-2A        | HP24TS4C-F0-SLF0T       | Left       | No   |
| HP24TS-4-1R-2A        | HP24TS4C-F0-SRF0T       | Right      | No   |
| HP24TS-4-2L-2A        | HP24TS4C-F0-PL00T       | Left       | No   |
| HP24TS-4-2R-2A        | HP24TS4C-F0-PR00T       | Right      | No   |
| HP24TS-4-1LL-1A       | HP24TS4C-E0-SLFLT       | Left       | Yes  |
| HP24TS-4-1RL-1A       | HP24TS4C-E0-SRFLT       | Right      | Yes  |
| HP24TS-4-2LL-1A       | HP24TS4C-E0-PL0LT       | Left       | Yes  |
| HP24TS-4-2RL-1A       | HP24TS4C-E0-PR0LT       | Right      | Yes  |
| HP24TS-4-1LL-2A       | HP24TS4C-F0-SLFLT       | Left       | Yes  |
| HP24TS-4-1RL-2A       | HP24TS4C-F0-SRFLT       | Right      | Yes  |
| HP24TS-4-2LL-2A       | HP24TS4C-F0-PL0LT       | Left       | Yes  |
| HP24TS-4-2RL-2A       | HP24TS4C-F0-PR0LT       | Right      | Yes  |



**24" SIGNATURE SERIES  
ADARA BEVERAGE DISPENSER**



\* - Leg levelers can add 3/4" [19] to these dimensions when fully extended.

