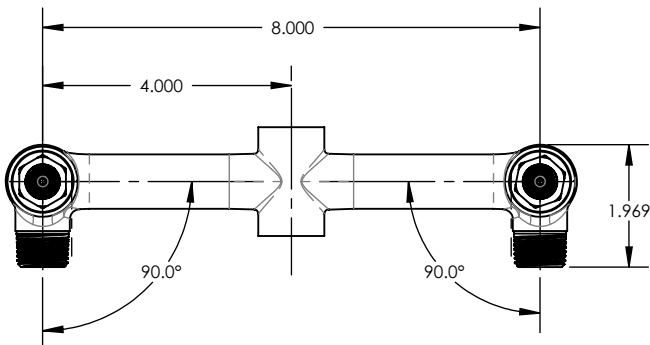
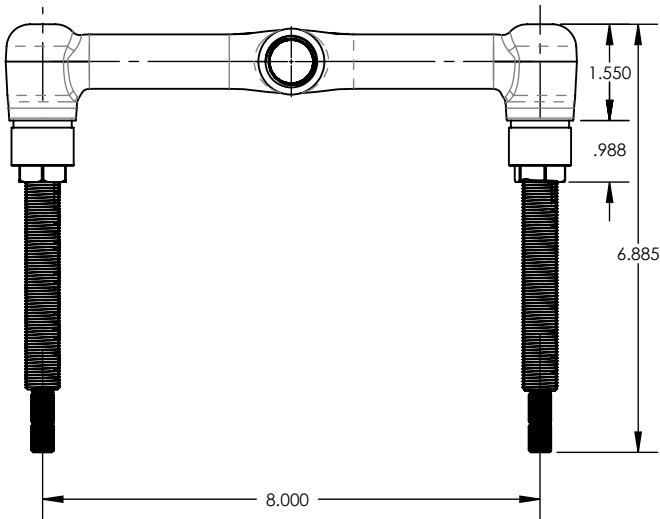


Wall Shower/Wall Tub Valve

8090536R

VALVE SPECIFICATIONS

Male 1/2" NPT inlets
Female 1/2" NPT outlets
1/2" Ceramic Disc



CODES & STANDARDS

ASME A112.181/ CSA B1251, ASME 112.18.2/ CSA B125.2, ANSI NSF, CEC, Watersense 61 Sect. 9, State of MA.

WARRANTY

Mechanical Warranty: 10 Years from date of purchase.

