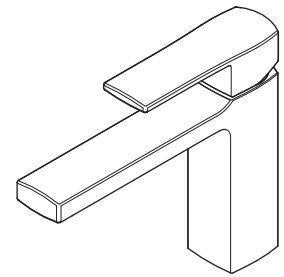


- RT6-1DAB Finish(B)
- RT6-1DAC Finish(C)
- RT6-1DAK Finish(K)



Specifications

Features

- 1-Hole Installation
- No Additional Valves Required
- Pforever Seal Ceramic Disc Valve
- Pforever Warranty®

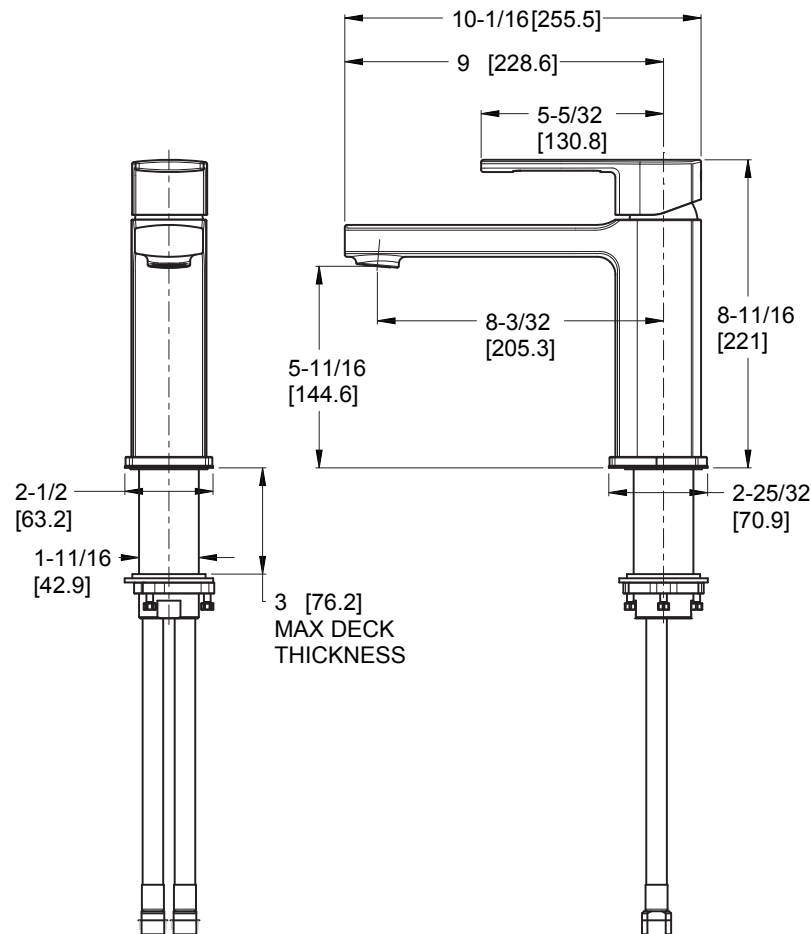
Code Compliance

Pfister products are designed and manufactured in compliance with the following standards and codes:

- IAPMO Certified
- CSA B125 Certified
- ASME A112.18.1
- ADA Compliant-ANSI A117.1 (Lever handles only)



Dimensions



Ø1-3/4 Min to Ø2 Max. Deck Hole Openings