

Highlights

- Soap/Lotion Dispenser
- MatchMakers® Accessories Available

MatchMakers®

Accessory

Single Hole Installation

Code Compliance

Price Pfister products are designed and manufactured in compliance with the following standards and codes:

- IAPMO certified
- ASME A112.18.1
- CSA B125 certified
- ANSI A117.1 (Lever handles only)

Finishes	KSD-K1BB	KSD-K1BK	KSD-K1CC	KSD-K1SS	KSD-K1WW
Polished Chrome			x		
Stainless Steel				x	
Stainless Steel with Copper Accents					x
Biscuit	x				
Black		x			

Features	KSD-K1BB	KSD-K1BK	KSD-K1CC	KSD-K1SS	KSD-K1WW
Anti-Residue Feature	x	x	x	x	x
Pforever Warranty®	x	x	x	x	x



- KSD-K1BB
- KSD-K1BK
- KSD-K1CC
- KSD-K1SS
- KSD-K1WW

For additional information, please contact your Price Pfister representative, or visit our website at www.pricepfister.com.

Project: _____

Contractor: _____

SS-KSD-01

1-800-PFAUCET www.pricepfister.com
 19701 DaVinci, Lake Forest, CA 92610
 02/5/03

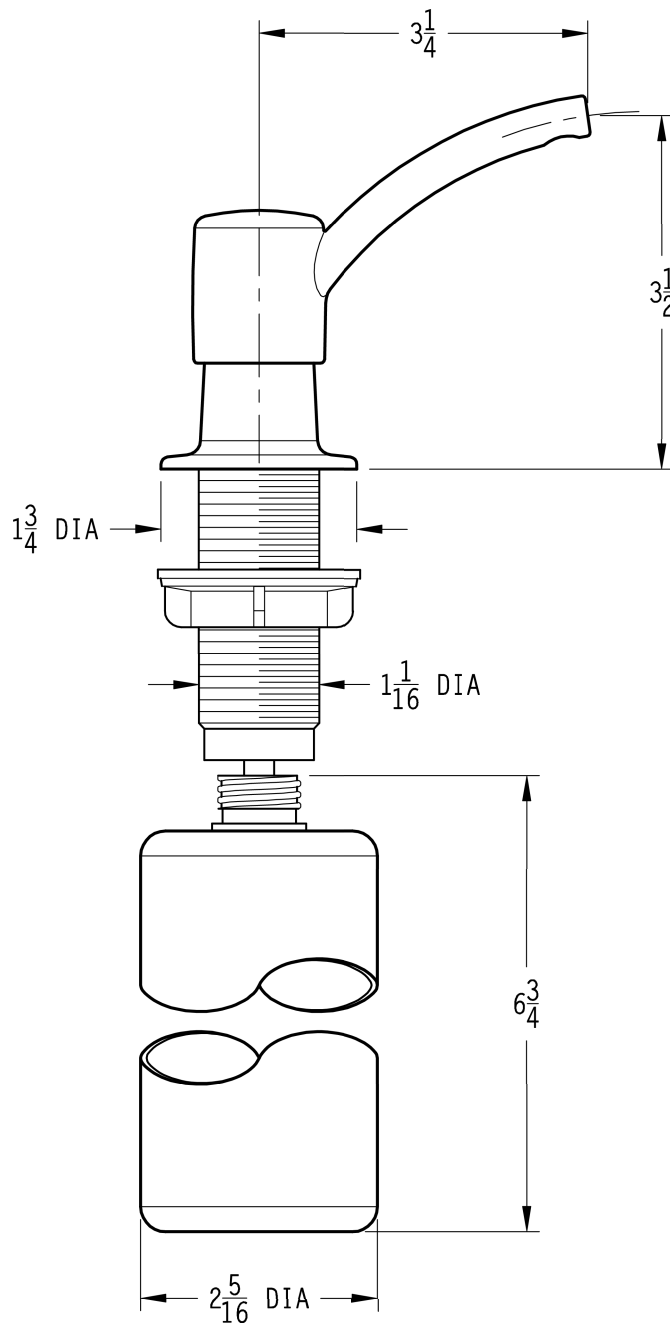
Price Pfister®
 Pfreshest Ideas in Pfaucets.

INSTALLATION DIMENSIONS

MatchMakers®

Accessory

Critical Dimensions:	
Maximum Deck Thickness	2



Dimensions are in Inches

1-800-PFAUCET www.pricepfister.com
19701 DaVinci, Lake Forest, CA 92610
01/8/03

Price Pfister®
Pf Pfreshet Ideas in Pf faucets.

SS-KSD-01