

Features

- Color and style matched to Profiles styling suite
- Modular Vanity - Build arrays both stacked and ganged
- Mates to both H1D18 (7.5" high) & H2D18 (15" high) Series
- Handleless ergonomic continuous drawer
- Includes 4 glass organizing bins

Construction

- All aluminum and glass construction - designed for disassembly and recycle, aluminum structural frame and drawer sides, glass drawer fronts, and safety backed glass drawer bottom
- Heavy duty, full extension, soft close drawers slides
- Constructed for wall hanging loads with stone tops
- Glass fronts and optional side kits are replaceable
- Includes installation hardware using secure structural bolts
- Glass side kits sold separately

Codes/Standards Applicable

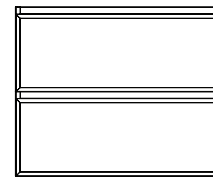
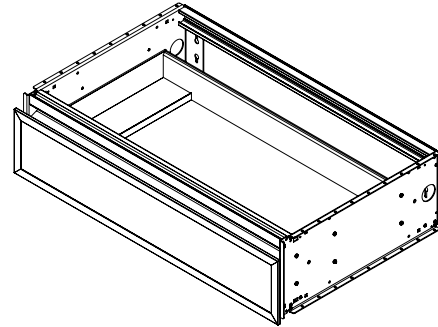
- Night Light Option is ETL certified to:
 - UL 2108
 - CSA Standard C22.2 No. 12

Dimensions

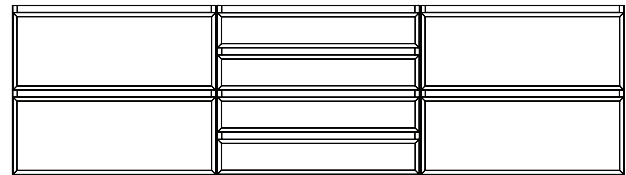
Height: 7-1/2" (191 mm)
 Width: 30-1/8" (765 mm) - with side kits installed
 Depth: 18-7/8" (479 mm)

Options

- Choice of front Tip out, split plumbing drawer, or full width drawer
- Integrated night light with light bar built into top frame provides drawer illumination and for wayfinding light in either 2700 kelvin or 4000 kelvin
- Metal frame finishes: Polished Nickel, Chrome, Matte Black, and Matte Gold
- Glass finish options: Mirror, patterned glass, and back painted glass - gloss or matte
- Other widths available - 12" (308 mm) / 24" (613 mm) / 36" (918 mm)
- 15" (381 mm) drawer height available - H2
- Larger depth available 21-7/8" (556 mm) - D21



Two H2 - 15" (381 mm) Profiles vanities stacked
 Total height 30" (762 mm)



(2) H2 Profiles vanities stacked + (4) H1 Profiles vanities stacked + (2) H2 Profiles vanities stacked

Model Number Key

Vanity	Profiles	Width	Height	Depth	Drawer Style	Glass Finish	Light	Metal Frame Finish
V	P	30"	H1 = 7-1/2"	D18 = 18-7/8"	F = Full Drawer	10 = Mirror 11 = Tinted Gray Mirror 12 = Satin Bronze 19 = Satin White 20 = Black 21 = White 22 = Beach 23 = Ocean 24 = Smoke Screen 25 = Silver Screen 26 = Matte White 27 = Matte Gray 28 = Matte Black	N = Base L = Night Light	76 = Chrome 77 = Polished Nickel 82 = Matte Gold 83 = Matte Black

Electrical System

- Night light option - 12VDC plug-in transformer
Locate wall outlet as per installation instructions 209-1231

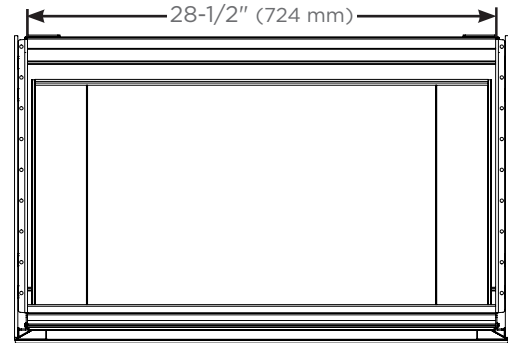
Optional Accessories

- Robern Engineered Stone Tops and porcelain sink available
- Assorted glass bins:
 - Divided storage (GLASSBIN6.38)
 - Small (GLASSBIN3.25)
 - Medium (GLASSBIN5.25)
 - Large (GLASSBIN8.5)
- Hair Styling Organizer (VAHAIRORG)

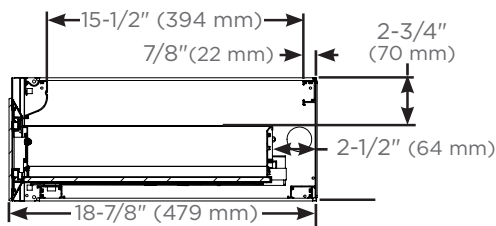
Modularity Accessories

Available in 4 heights (based on final configuration)

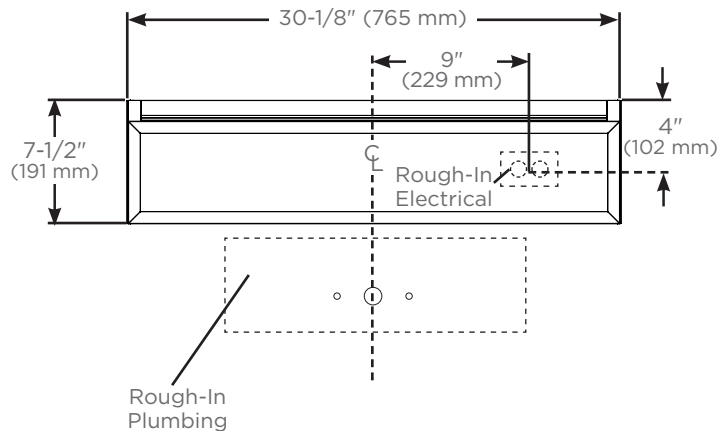
- Side kits (**Single**):
 - 7-1/2" (VM1SKH1D18##)
 - 15" (VM1SKH2D18##)
 - 22-1/2" (VM1SKH3D18##)
 - 30" (VM1SKH4D18##)
- Side kits (**Pair**):
 - 7-1/2" (VM2SKH1D18##)
 - 15" (VM2SKH2D18##)
 - 22-1/2" (VM2SKH3D18##)
 - 30" (VM2SKH4D18##)
- Ganging kits:
 - 7-1/2" (VMGKITH1)
 - 15" (VMGKITH2)
 - 22-1/2" (VMGKITH3)
 - 30" (VMGKITH4)
- Alcove finishing kits:
 - 7-1/2" (VMAKITH1)
 - 15" (VMAKITH2)
 - 22-1/2" (VMAKITH3)
 - 30" (VMAKITH4)



Top view for plumbing and sink clearance



Side views for plumbing and sink clearance with door front



Front view with side kits

Installation Notes

Install this product according to the installation guide 209-1231.

- The Robern Engineered Stone Tops and porcelain sinks are recommended for this vanity.
- Special site preparation is required. Wall bracing and Robern supplied hardware are recommended.
- If a sink will be installed, the plumbing must be roughed into the plumbing cutout area of the vanity. Refer to the sink rough-in and the vanity rough-in for proper placement. The water supply and drain lines must be installed before installing the vanity.