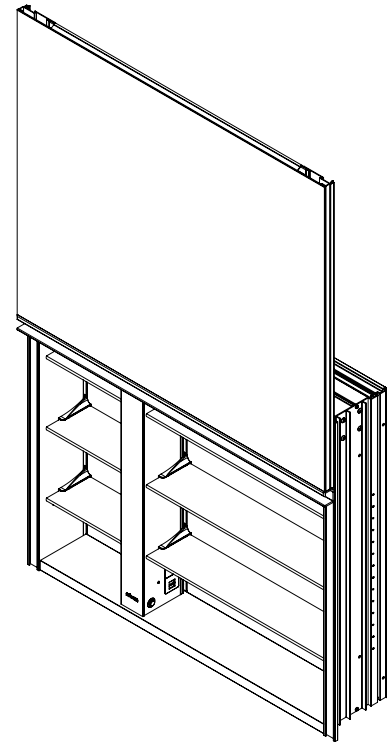


Features

- Vertical opening with position-hold door-opening mechanism
- Mirrored interior
- Cantilever Shelving, 6 adjustable glass shelves
- Can be recessed, semi-recessed (kit required) or surface mounted (surface mounting kit required)
- E2 Electric includes two USB, three 120VAC outlets
- Lighted interior



(E2 Option Shown)

Construction

- Durable rust-free anodized aluminum and glass construction
- Adjustable shelving at 1" (25 mm) increments
- Salt Spray Tested glass- ASTM Standard

Codes/Standards Applicable

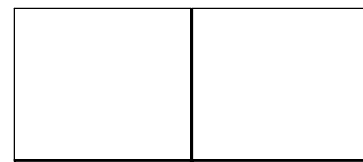
- Electric Option Models are ETL certified to:
 - UL 962
 - CSA Standard C22.2 No. 68

Dimensions

Height: 27" (686 mm)
 Width: 30" (762 mm)
 Depth: 7-1/8" (181 mm)
 7-1/8" (181 mm) project from wall when surface mounted,
 1-5/16" (33 mm) project from wall when recessed, and
 3-5/16" (84 mm) project from wall when semi-recessed
 Net Weight: 80 - 100 lbs

Options

- E2 Electric includes two USB, three 120VAC outlets and Lighted interior
- E4 Electric includes two USB, three 120VAC outlets, lighted interior, door defogger and night light
- Optional handle accessory finishes: Matte Gold, Matte Black, Chrome, or Polished Nickel
- Other widths available



Ganging Cabinet-to-Cabinet Arrangement

Model Number Key

Uplift	Cabinet	Width	Height	Depth	Mirror Style	Color Temp	Options	Audio
U	C	30"	27"	6	FP = Flat, Polished	N = No Lighting	E2 = Electric	N = No Audio

Installation

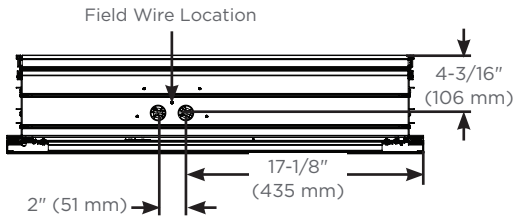
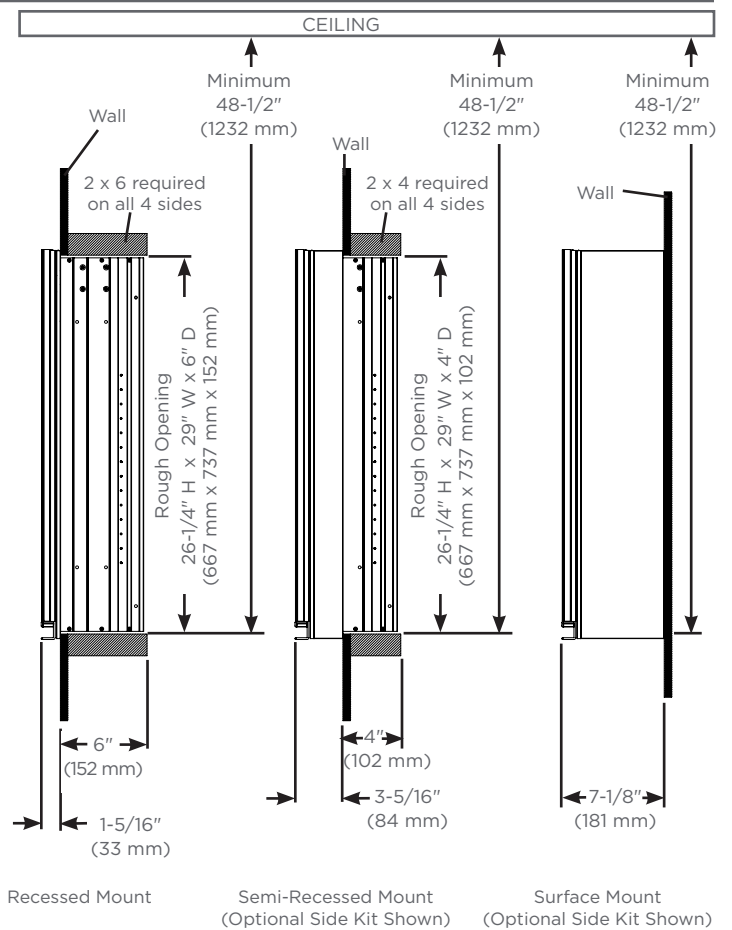
- A minimum of 48-1/2" (1232 mm) is needed from bottom of cabinet to finished ceiling

Mounting options:

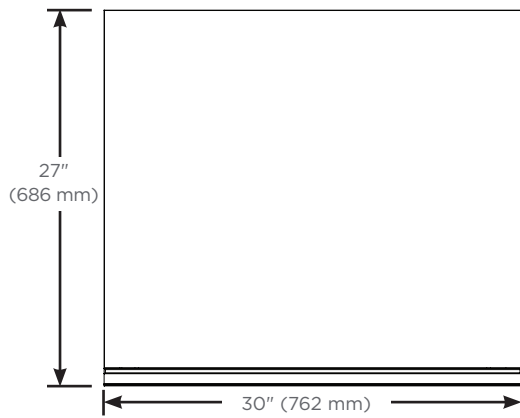
- **Recessed Mount** - Rough Opening - 26-1/4" H x 29" W x 6" D (667 mm H x 737 mm W x 152 mm D)
- **Semi-Recessed Mount** - Rough Opening - 26-1/4" H x 29" W x 4" D (667 mm H x 737 mm W x 102 mm D) Reference Surface Mount Kit when ordering - USMK27D6SRP
- **Surface Mount** - Reference Surface Mount Kit when ordering - USMK27D6P
- **Gangs to Uplift Tech Cabinet** - Reference Uplift Ganging Kit when ordering - UGKIT
- For electric Option, 120 VAC 60HZ 20A GFI protected circuit
- Field wire location as shown in drawing
- 1/2" conduit (Ø 7/8" actual) electrical knockout location shown below

Optional Accessories

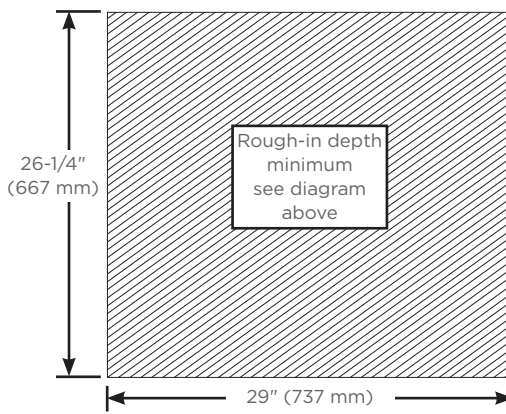
- Surface-Mount Kit (USMK27D6P)
- Semi-Recessed Kit (USMK27D6SRP)
- Top and Bottom Kit (UTK30D6A)
- Top and Bottom Kit Semi-Recessed (UTK30D6ASR)
- Ganging Kit (UGKIT)
- Handle Upgrade (UHANDLE30_ _)
- Assorted glass bins:
 - Small (GLASSBIN3.25)
 - Medium (GLASSBIN5.25)
 - Large (GLASSBIN8.5)



Top of Cabinet - Wire Access Location



Cabinet Dimensions



Rough-in Dimensions