

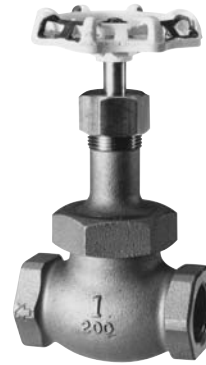


# Figure # 214

Bronze Threaded Globe Valve (1/2"-2")

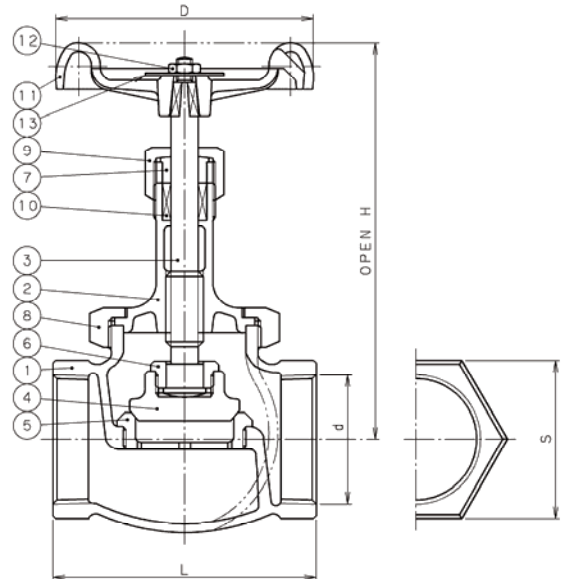
## Product Features

- 200# WSP / 400# WOG
- Bronze Body
- Stainless steel Disc
- Threaded Ends
- Union Bonnet
- MSS-SP-80



## Materials & Specifications

Item	Description	Material	Specification
1	Body	Cast Bronze	B61-C92200
2	Bonnet	Cast Bronze	B61-C92200
3	Stem	Brass	DR Alloy
4	Disc	Stainless Steel	A276-403
5	Seat Rings	Stainless Steel	A276-403
6	Lock Nut	Brass	B124-C37700
7	Gland	Brass	B124-C37700
8	Union Nut	Bronze	B61-C92200
9	Packing Nut	Bronze	B62-C83600
9	Packing Nut	Brass	B16-C36000
10	Gland Packing	Plastic Graphite	T#2996NA
11	Handwheel	Aluminum Alloy	B85-SC114A
11	Handwheel	Zinc Alloy (1/2" only)	B86-AG40A
11	Wheel Nut	Steel	A36
12	Name Plate	Aluminum	B209



## Dimensions, Weights (inches-lbs.) & Valve Data

Size	1/2	3/4	1	1-1/4	1-1/2	2
D	2.76	3.15	3.54	3.94	4.33	2.92
d (NPT)	.5	.75	1.0	1.25	1.5	2.0
H	5.16	6.02	6.61	7.48	8.23	9.25
L	2.68	3.15	3.74	4.25	4.72	5.71
S	1.26	1.5	1.81	2.21	2.48	2.99
Cv	3.5	6.5	12	21	30	49
Wt.- lbs.	1.4	2.5	3.5	5.4	7.7	12

