

**Feature**

- 125# WSP / 200# WOG
- Brass body
- Brass disc
- FNPT x FNPT
- Threaded ends (ASME B1.20.1-NPT)
- Swing check
- "Y" Pattern
- MSS-SP-80

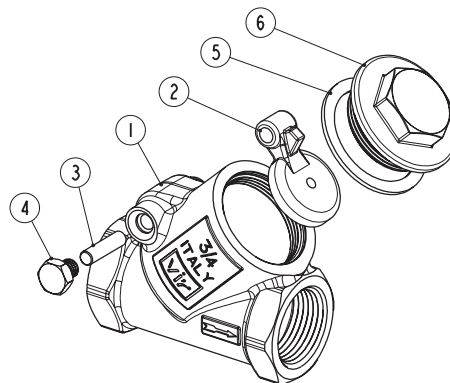
Meet BAA requirement



Pressure/ Temperature rating	
200 psi from 15 °F to 160 °F	125 psi max. at 366 °F

**Material**

	Part	Material	Specification
1	Body	Brass	ASTM B124 C37700
2	Disc	Brass	ASTM B124 C37700
3	Stem	Brass	ASTM B124 C37700
4	Screw	Brass	ASTM B124 C37700
5	Gasket	PTFE	PTFE
6	Cap	Brass	ASTM B124 C37700



**Dimension**

	A [in]	H [in]	P [in]	Cv	Wt. [lb]
½"	2.21	1.65	0.59	5.33	0.58
¾"	2.76	1.97	0.75	10.5	0.92
1"	3.15	2.28	0.98	19.0	1.33
1¼"	3.78	2.71	1.26	32.8	2.23
1½"	4.33	3.19	1.50	50.6	3.24
2"	5.04	3.86	1.97	88.1	4.60

