

EzPress End Pump Flange Ball Valve with Drain

Feature

- 600# WOG
- 3-piece brass construction
- Full port
- EzPress end x Flange
- Rotating flange design
- Designed with side drain valve & cap
- 1/4 turn ball valve style
- Includes wing handle & bolt kit

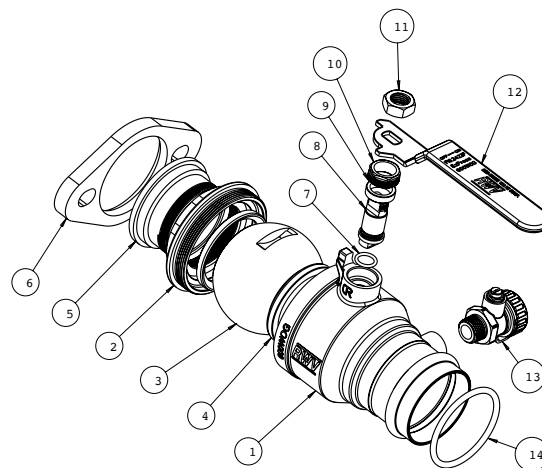


Pressure/ Temperature rating	
Valve body and stem	
600 psi from 15 °F to 160 °F	150 psi max. at 366 °F
Press connections	
250 psi from 15 °F to 160 °F	150 psi max. at 250 °F

Material

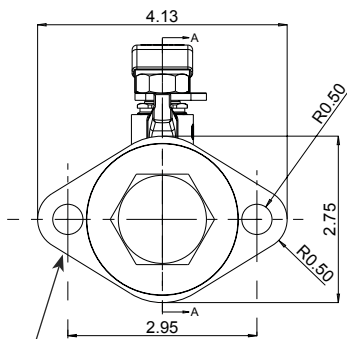
	Part	Material	Specification
1	Body	DZR Brass	UNS C35330
2	End piece	Brass	ASTM B124 C37700
3	Ball	Brass / Cr plated	ASTM B30 C85700
4	Seat	PTFE	PTFE
5	End piece ¹	Brass	ASTM B124 C37700
6	Flange	Brass	ASTM B124 C37700
7	O-ring	FKM	NSF approved
8	Stem	Brass	ASTM B124 C37700
9	Packing ring	PTFE	PTFE
10	Packing nut	Brass	ASTM B124 C37700
11	Nut	Steel / Zn plated	ASTM A36
12	Handle	Steel / Dacromet [®] plated	ASTM A36
13	Drain valve	Brass	ASTM B124 C37700
14	O-ring	EPDM Perox	NSF approved

¹ Only for 1½" - 2"

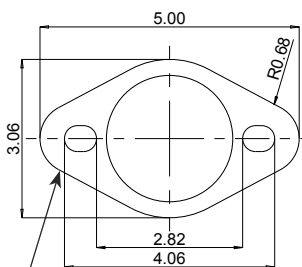


Dimension, Weight

	A	B	C	D	H	L	Φ	Φ P	Wt.
	[in]	[in]	[in]	[in]	[in]	[in]	[in]	[in]	[lb]
¾"	3.46	2.53	0.91	4.89	2.07	3.59	0.89	0.73	1.62
1"	3.80	2.63	1.06	6.33	2.36	4.96	1.14	0.94	2.01
1¼"	4.42	2.80	1.22	6.63	3.60	4.96	1.43	1.22	2.34
1½"	4.94	2.93	1.57	7.48	2.87	5.55	1.64	1.46	3.04
2"	5.94	3.23	1.73	8.08	3.25	5.55	2.14	1.95	4.44



For ¾" - 1½"



For 2"

