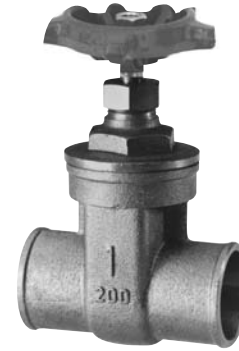




Figure # 268
Brass Gate Valve (1/2"-2")

Product Features

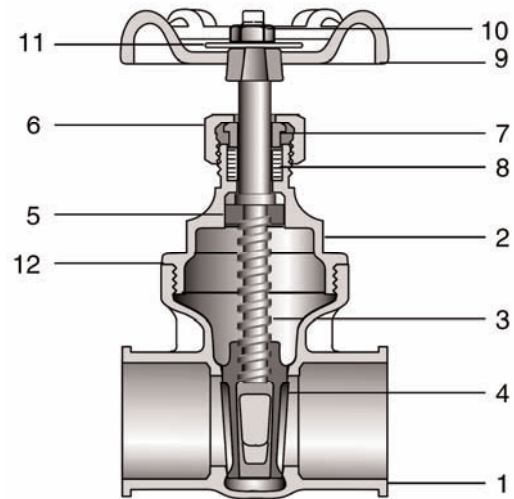
- 200# WOG
- Brass Body
- Non-Rising Stem
- Solid Disc
- Solder Ends
- Inserted bonnet



Pressure/Temperature Ratings	
200# WOG	212 degrees F. max temp.

Materials & Specifications

Item	Description	Material	Specification
1	Body	Brass	B584 C85400
2	Bonnet	Brass	B584 C85400
3	Stem	Brass	B124
4	Disc	Brass	B124
5	Lock Nut	Brass	B124
6	Gland nut	Brass	B124
7	Gland	Brass	B124
8	Packing	PTFE	-
9	Handwheel	Aluminum	-
10	Nut	Steel	A36
11	Tag	Aluminum	-
12	Gasket	PTFE	-



Dimensions, Weights (inches-lbs.) & Valve Data

Size	1/2	3/4	1	1-1/4	1-1/2	2
D	.5	.68	.9	1.1	1.37	1.73
H	2.75	3.15	3.62	4.37	4.84	5.43
L	1.6	2.0	2.28	2.91	3.18	3.62
Wt.- lbs.	.44	.69	1	1.5	2	3.5

