

Feature

- 400# WOG
- DZR lead free brass body
- REHAU EVERLOC+™ full port
- Barb (EVERLOC+) x Barb (EVERLOC+)
- PEX ends (EVERLOC+)
- Chrome plated ball
- Virgin PTFE seats
- Blow-out proof stem
- Double NBR O-ring packing
- CSA B125.14
- AB1953, NSF/ANSI 61 & 372 certified



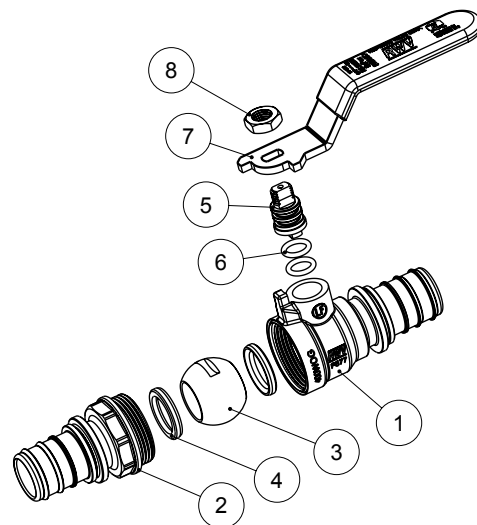
EVERLOC+
Loc it up.

Option with wing handle (5415ABW) available
Extension stem available

Pressure/ Temperature rating	
300 psi from 15 °F to 160 °F	150 psi max. at 200 °F

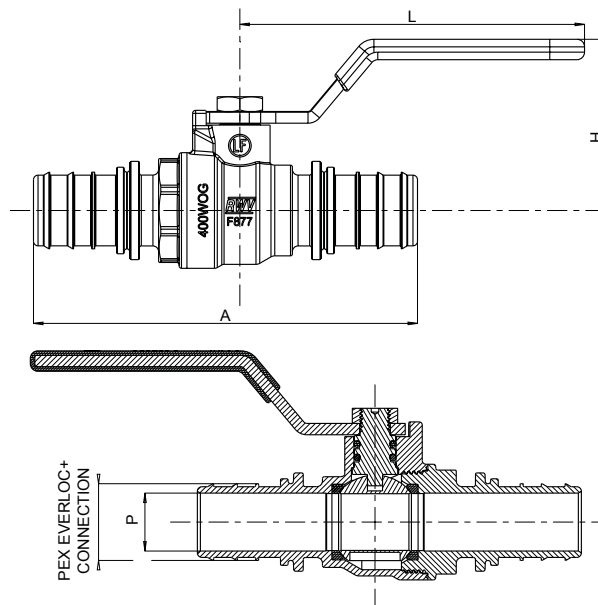
Material

Part	Material	Specification
1 Body	DZR Lead Free Brass	ASTM B927 C27453
2 End piece	DZR Lead Free Brass	ASTM B927 C27453
3 Ball	DZR Lead Free Brass / Cr plated	ASTM B927 C27453
4 Seat	PTFE	PTFE
5 Stem	DZR Lead Free Brass	ASTM B927 C27453
6 O-ring	NBR	NSF approved
7 Handle	Steel / Dacromet® plated	ASTM A36
8 Handle nut	Steel / Zn plated	ASTM A36



Dimension, Weight

Size	A [in]	H [in]	L [in]	P [in]	Wt. [lb]
1/2"	2.94	1.38	3.19	0.39	0.28
3/4"	4.00	1.77	3.58	0.59	0.44
1"	4.82	1.93	3.58	0.79	0.68
1 1/4"	5.45	2.03	4.96	0.94	1.16
1 1/2"	6.27	2.19	4.96	1.14	1.62
2"	7.30	2.76	5.55	1.50	2.78



Valves with EVERLOC+™ compression-sleeve connection require EVERLOC+ PEXa compression sleeves and REHAU PEXa pipe. Installation is performed only with EVERLOC+ compression-sleeve tools. Follow all published REHAU Technical Guidelines available at www.na.rehau.com/resourcecenter.

Licensed under one or more claims of patents - www.na.rehau.com/evpluspatents