

#### Feature

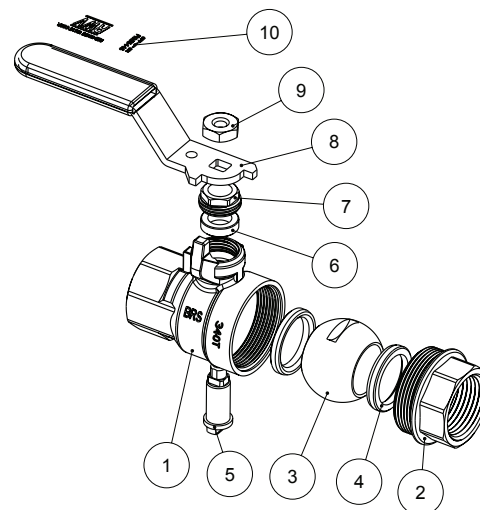
- 150# WSP / 600# WOG
- Brass body
- Full port
- FNPT x FNPT
- Threaded ends (ASME B1.20.1-NPT)
- Blow-out proof stem
- Stainless steel ball & stem
- Virgin PTFE seats
- MSS-SP-110



Pressure/ Temperature rating	
600 psi from 15 °F to 160 °F	150 psi max. at 366 °F

#### Material

	Part	Material	Specification
1	Body	Brass	ASTM B283 C37700
2	End piece	Brass	ASTM B283 C37700
3	Ball	Stainless steel	ASTM A276 S31600
4	Seat	PTFE	PTFE
5	Stem	Stainless steel	ASTM A276 S31600
6	Packing	PTFE	PTFE
7	Packing nut	Brass	ASTM B124 C37700
8	Handle	Steel / Dacromet® plated	A36
9	Handle nut	Steel / Zn plated	A36
10	Valve info	-	-



#### Dimension, Cv, Weight

	Φ	A	C	H	L	P	Cv	Wt.
		[in]	[in]	[in]	[in]	[in]		[lb]
1/2"	1/2 - 14 NPT	2.13	0.55	2.10	3.60	0.59	15	0.50
3/4"	3/4 - 14 NPT	2.56	0.59	2.24	3.60	0.79	30	0.72
1"	1 - 11.5 NPT	2.92	0.71	2.57	4.98	0.98	60	1.16
1 1/4"	1 1/4 - 11.5 NPT	3.39	0.73	2.78	4.98	1.26	110	1.74
1 1/2"	1 1/2 - 11.5 NPT	3.90	0.77	3.27	5.57	1.57	130	2.64
2"	2 - 11.5 NPT	4.45	0.81	3.56	5.57	1.97	360	3.94

