

Feature

- 150# WSP / 600# WOG
- Lead free brass body
- Full port
- Adjustable packing
- Solder x Solder
- Solder ends (ASME B16.22)
- Blow-out proof stem
- AB1953, NSF/ANSI 61 & 372 certified

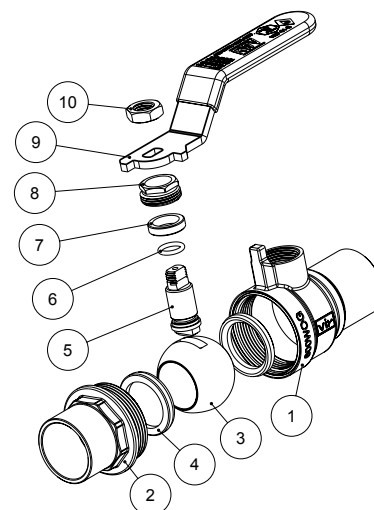


Pressure/ Temperature rating	
600 psi from 15 °F to 160 °F	150 psi max. at 366 °F

Connection Working Pressure				
Solder used in joint	Working temp (°F)	Max. working pressure (PSI)		
		3/8" - 1"	1 1/4" - 2"	2 1/2" - 4"
95-5 Tin antimony (ASTM B32 grade 95TA)	100	500	400	300
	150	400	350	275
	200	300	250	200
	250	200	175	150

Material

	Part	Material	Specification
1	Body	Lead Free Brass	C28000
2	End piece	Lead Free Brass	C28000
3	Ball	Lead Free Brass / Cr plated	C28000
4	Seat	PTFE	PTFE
5	Stem	Lead Free Brass	C28000
6	O-ring	FKM	NSF approved
7	Packing	PTFE	PTFE
8	Packing nut	Brass	B124 C37700
9	Handle	Steel / Dc plated	A36 Dacromet
10	Handle nut	Steel / Zn plated	A36



Dimension

Size	∅	A [in]	C [in]	H [in]	L [in]	P [in]	Cv	Wt. [lb]
1/2"	0.627-0.631	2.20	0.51	1.93	3.58	0.50	11	0.38
3/4"	0.877-0.881	2.87	0.75	2.07	3.58	0.73	26	0.52
1"	1.128-1.131	3.43	0.91	2.36	4.96	0.95	55	0.90
1 1/4"	1.378-1.381	3.82	0.98	2.60	4.96	1.22	103	1.20
1 1/2"	1.628-1.632	4.25	1.09	2.87	5.55	1.46	111	1.74
2"	2.128-2.132	5.31	1.34	3.25	5.55	1.95	353	2.84
2 1/2"	2.628-2.632	6.34	1.50	4.17	9.91	2.44	409	5.46
3"	3.128-3.132	7.72	1.69	5.13	11.06	2.91	530	8.50

