



Figure # 9101F

Steam Radiator Valve

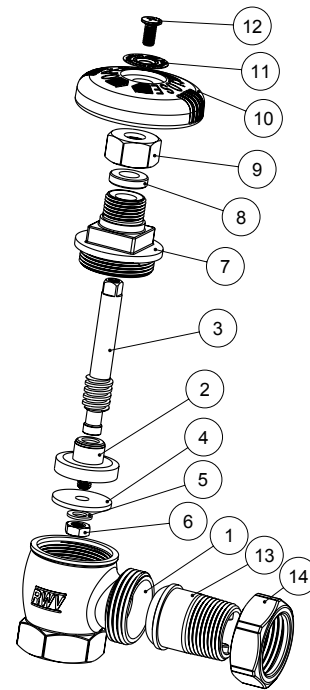
Product Features

- 15# WSP
- 60# WOG
- Brass Body
- EPDM Disc
- FIP x Male Union Ends
- Phenolic Handwheel



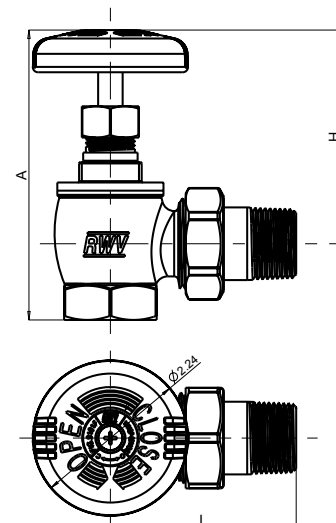
Materials & Specifications

Item	Description	Material	Specification
1	Body	Brass	B124 C37700
2	Seat Holder	Brass	B124 C37700
3	Stem	Brass	B124 C37700
4	Seat Packing	EPDM	
5	Washer	Stainless Steel	
6	Seat Nut	Brass	B124 C37700
7	Bonnet	Brass	B124 C37700
8	Packing	PTFE	
9	Packing Nut	Brass	B124 C37700
10	Handwheel	Phenolic	
11	Tag	Aluminum	A1100
12	Handle Bolt	Brass	B124 C37700
13	Union Nipple	Brass	B124 C37700
14	Union Nut	Brass	B124 C37700



Dimensions, Weights (inches-lbs.) & Valve Data

Size	3/4	1	1-1/4
A	4.19	4.45	4.66
H	3.09	3.28	3.25
L	2.69	2.95	3.50
Wt.	1.15	1.40	1.98



RED-WHITE VALVE CORP.

20600 Regency Lane, Lake Forest, CA 92630

TEL: 949.859.1010 • FAX: 949.859.7200 • www.redwhitevalvecorp.com

(150921)