

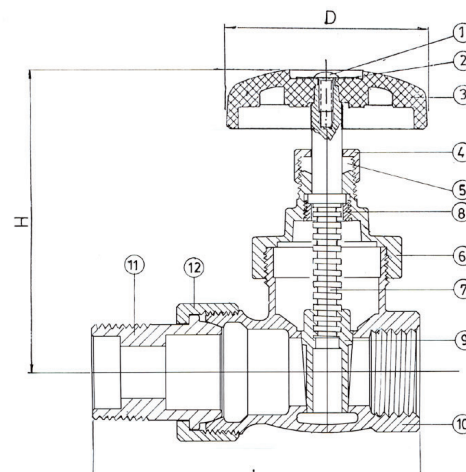
Feature

- 15# WSP / 200# WOG
- Bronze body
- Bronze disc
- FIP x Male union end
- Phenolic handwheel



Material

	Part	Material	Specification
1	Handle bolt	Steel	SAE 1010R
2	Tag	Aluminum	A1100
3	Handwheel	Phenolic	-
4	Packing nut	Brass	ASTM B124 C37700
5	Packing	PTFE Polyflon	M-392
6	Bonnet	Bronze	ASTM B584 C84400
7	Stem	Brass	ASTM B124 C37700
8	Lock nut	Brass	ASTM B124 C37700
9	Disc	Bronze	ASTM B584 C84400
10	Body	Bronze	ASTM B584 C84400
11	Union nipple	Bronze	ASTM B584 C84400
12	Union nut	Bronze	ASTM B584 C84400



Dimension, Cv, Weight

	D [in]	H [in]	I [in]	Wt. [lb]
1/2"	2.17	2.99	3.00	0.81
3/4"	2.17	3.59	3.52	1.12
1"	2.17	4.04	3.98	1.72
1 1/4"	2.17	4.76	4.45	2.48
1 1/2"	2.17	5.49	4.84	3.44