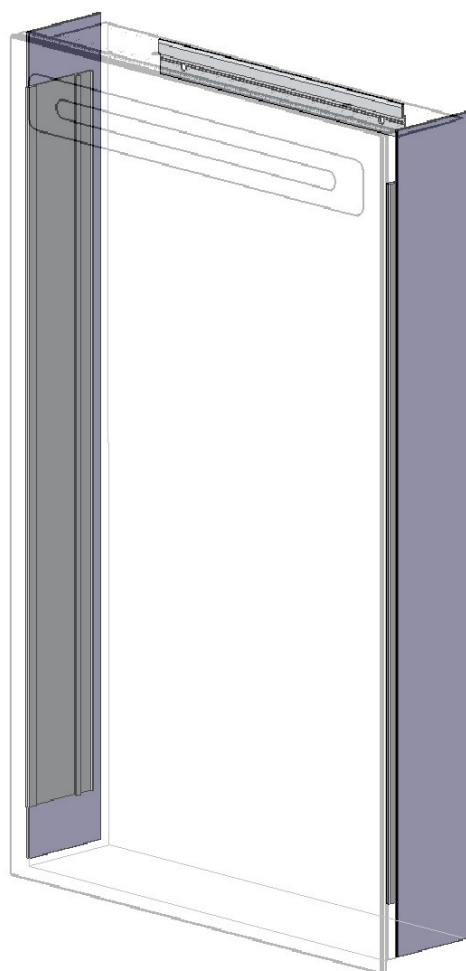


wall mount kit including side mirrors

kit fixation murale y compris les miroirs
latéraux

for mirrored bathroom cabinets
Model: SIDLER Diamando / SIDLER Diamando MB / SIDLER LED



Please read instructions before proceeding
Lisez attentivement les instructions avant d'installer l'armoire de toilette

Save these instructions
Conservez-les instructions pour future référence

IMPORTANT SAFETY INSTRUCTIONS - to reduce the risk of burns, fire, electric shock, or injury:

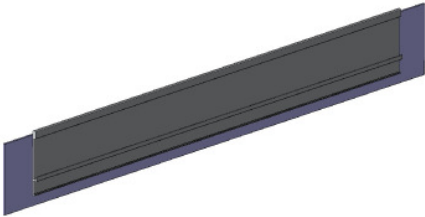
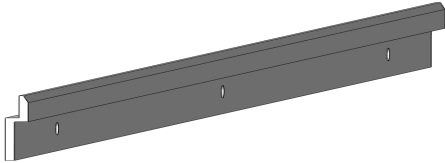



- This product is for household use only
- WARNING - do not use outdoors
- WARNING - use this furnishing only for its intended use as described in these instructions
- WARNING - never operate the furnishing with the air openings blocked. Keep the air openings free of lint, hair, and the like
- WARNING - never drop or insert any object into any opening
- WARNING - avoid dispensing of aerosol sprays near top of the cabinet
- SAVE THESE INSTRUCTIONS

Importantes consignes de sécurité pour réduire les risques de brûlures, d'incendie, de choc électrique et de blessures:

- Ce produit est destiné seulement à un usage personnel et familial
- Avertissement - ne pas utiliser à l'extérieur
- Avertissement - Utilisez cette armoire pour l'usage approprié tel que décrit dans ce manuel
- Avertissement - Ne jamais faire fonctionner l'armoire si ses ouvertures d'aération sont obstruées. Veiller à ce que ses ouvertures soient exemptes de peluches, cheveux et autres.
- Avertissement - Ne jamais laissez tomber ou insérer un objet dans les ouvertures
- Avertissement - Éviter la pulvérisation de bombes aérosol à proximité haut de l'armoire
- VEUILLEZ CONSERVER CES INSTRUCTIONS

List of all components to be installed
Liste des pièces à installer

the components pos.2 / pos.3 / pos. 4 are included in the delivered mirror cabinet.

Pos.	Description	Dimension	Comment
1	side mirror / miroir latéraux		wall mount only
2	mounting bracket / support de montage		wall mount only
3	Screw / vis	4,5x35mm	
4	anchor / goujons	3/8"	use for hollow walls
5	expansion anchor / goujons	PS6	use for brick walls
			
pos. 1 side mirror / miroir latéraux		pos. 2 assembly rail/support de montage	
			
pos. 3 screw / vis	pos. 4 raw plug / goujons	pos. 5 raw plug / goujons	

Installation Guide – Guide d'installation

Step 1 – Mounting bracket

1ère étape – Support de montage

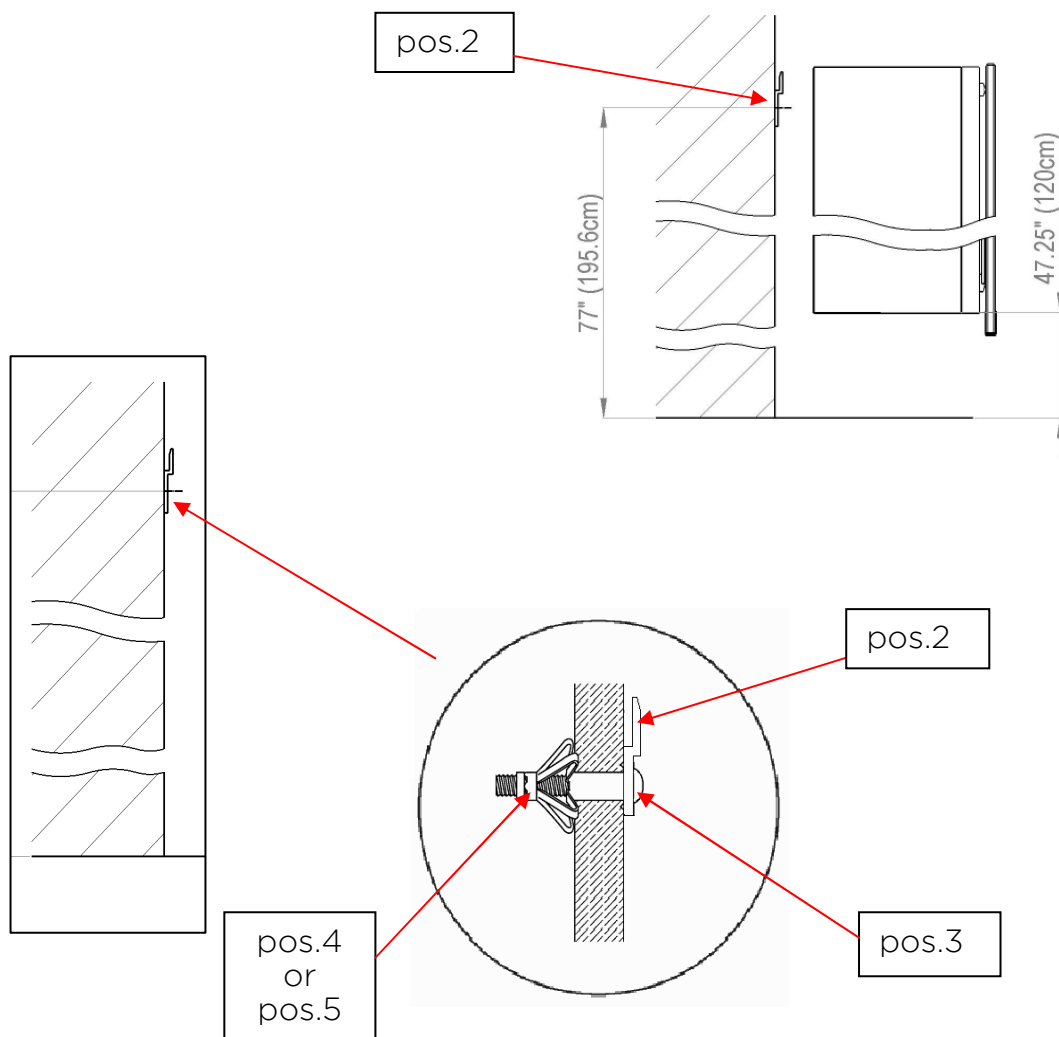
- 1) Mount the mounting bracket (pos. 2) according to the schematic drawings below. Recommend height: center of mounting holes at 77".

Make sure that the mounting bracket is fastened to at least one wall stud. Use the correct anchors for the different types of walls.

pos.4	dry walls, hollow brick walls
pos.5	brick walls, concrete walls

Drill holes 3/8" (10mm) for the anchors pos.4 or 1/4" (6mm) for pos.5

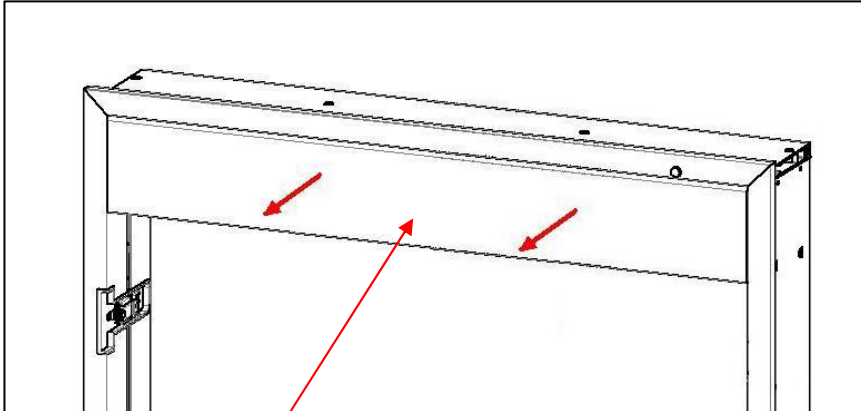
Check the mounting rail with a level before proceeding with the next steps.



Step 2 - Remove the Electrical Cover

- 1) Remove light cover A carefully by hands

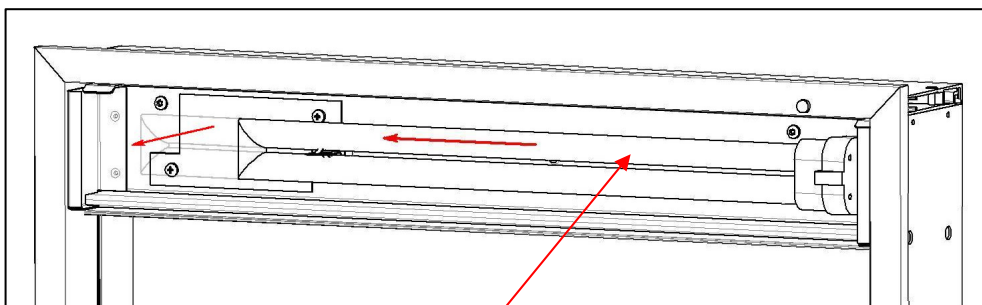
Retirez le couvercle luminaire A avec précaution à la main



light cover A
couvercle luminaire A

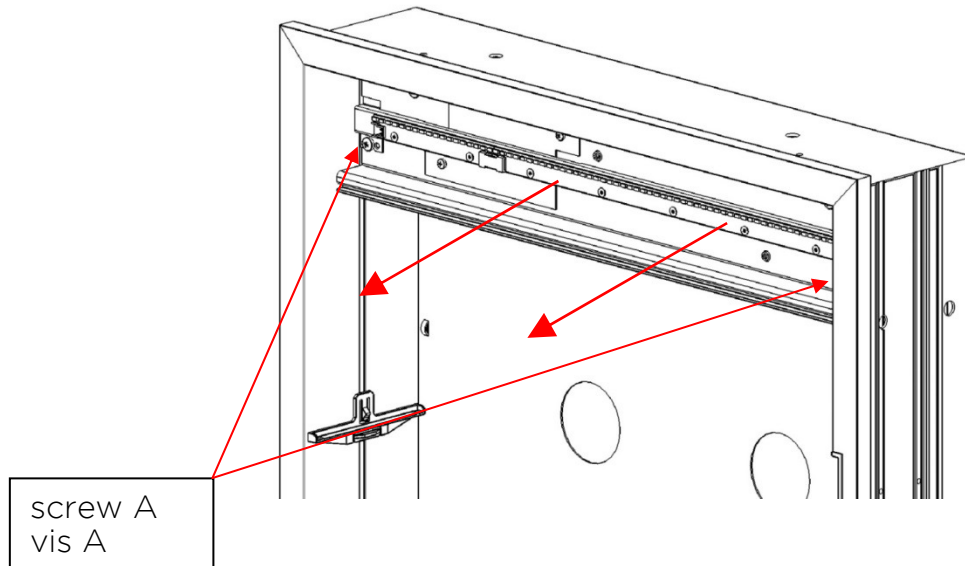
- 2) DIAMANDO ONLY - Remove fluorescent tube

SEULEMENT DIAMANDO - Retirez le tube fluorescent

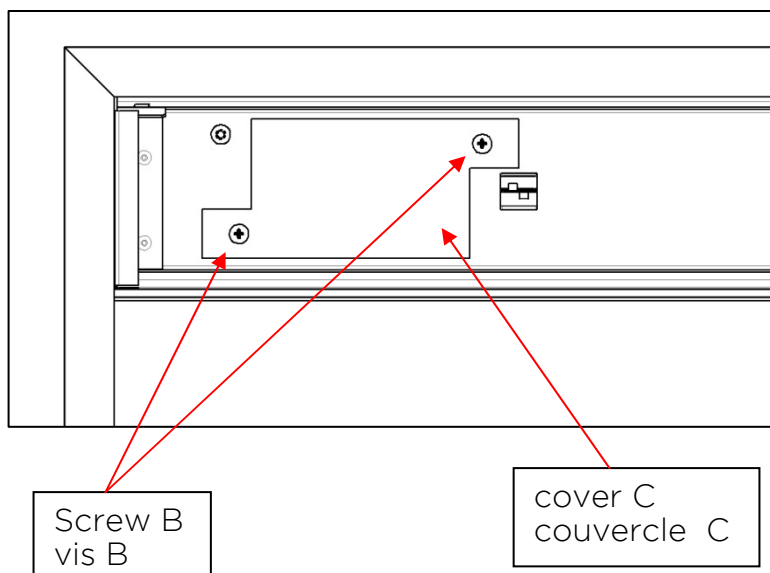


fluorescent tube
tube fluorescent

- 3) LED ONLY - Remove LED strip by loosening screw A
SEULEMENT LED - Retirez le LED bande

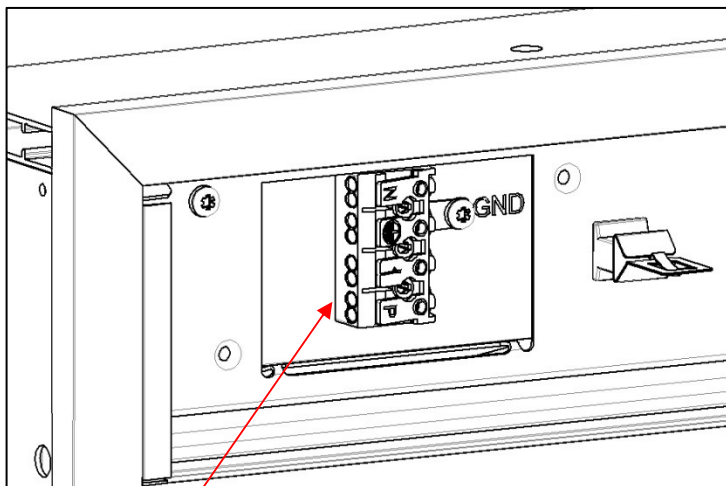


- 4) Loosen screws B
Desserrez les vis marquées avec un B



5) Remove cover C to get access to the terminal block

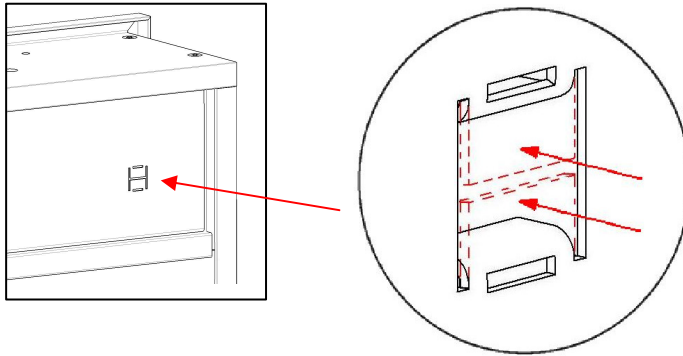
Retirez le couvercle C pour avoir accès au bornier



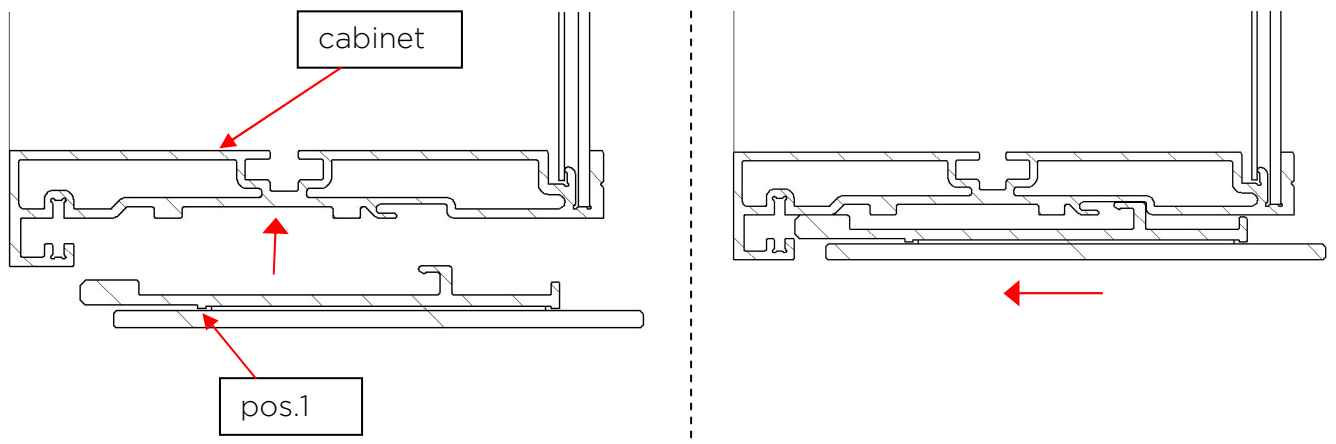
terminal block
bornier

Step 3 - Preparing wiring / assembling side mirrors

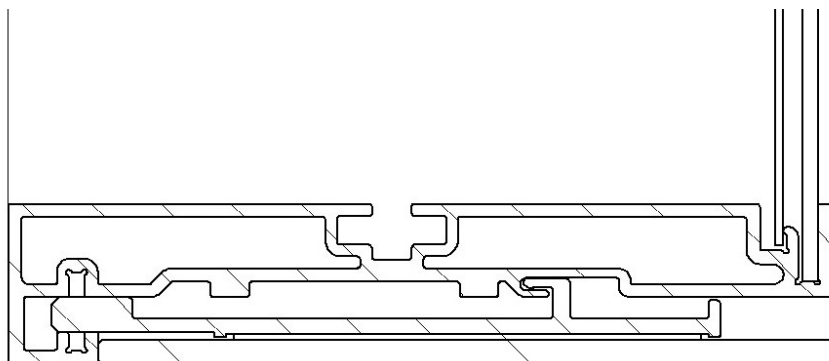
- 1) Bend the two flaps open at the back of the mirrored cabinet



- 2) Place the side mirror carefully at the position shown in diagram below

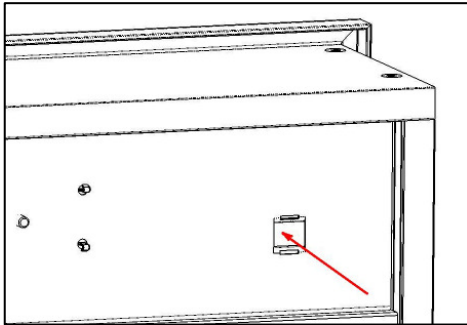


- 3) Lock the side mirror in place by carefully pushing it

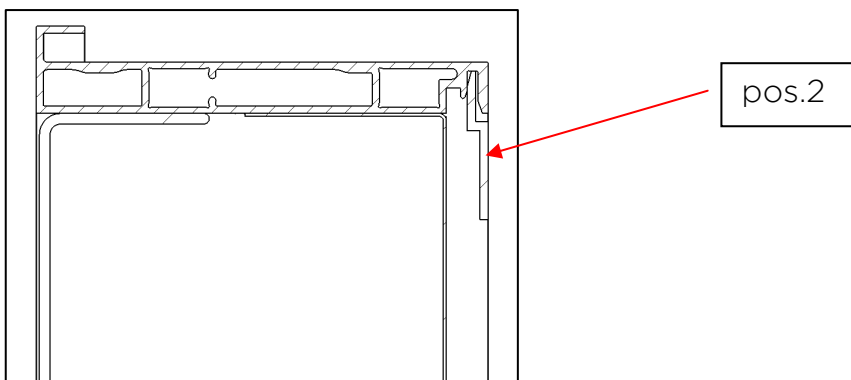


Step 4 - Mount the Cabinet

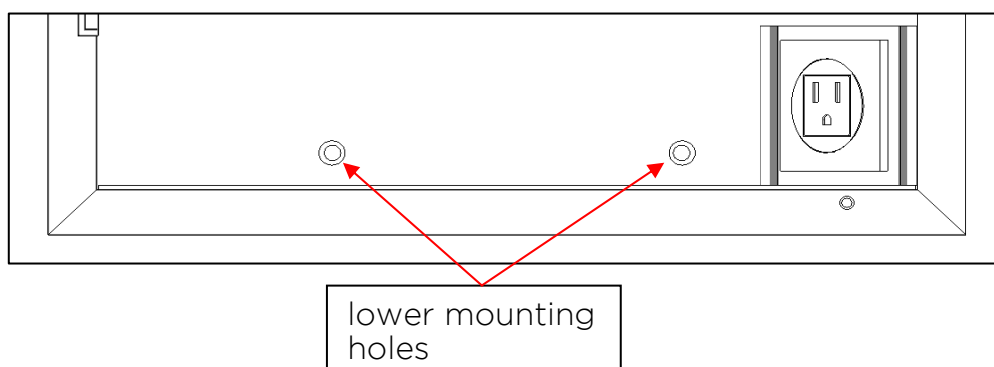
- 1) Thread the wires through the back opening, to connect them to the terminal block



- 2) Hang the cabinet on the mounting bracket (pos. 2).



- 3) Center the mirror cabinet over the vanity and fasten it at the lower mounting holes as shown below, by using the anchors (pos.4 or pos.5).



=> proceed with

OPERATION INSTRUCTIONS *Diamando / Diamando MB / LED*

⇒ Step 6 (Connect the Electric Cables)

LIMITED WARRANTY

SIDLER will provide a two-year warranty in respect of defects associated with the Product, commencing from the date of delivery, subject to the following conditions:

- (I) The Product must have been professionally mounted and installed by a certified licensed contractor in accordance with the *Safety Standards Act*, S.B.C. 2003, c. 39, as amended, and the Electrical Safety Regulation B.C. Reg. 100/2004, as amended.
- (II) The Product must have been used by the Purchaser in the manner and for the purpose recommended and authorized by SIDLER and the manufacturer.
- (III) The Product must not have been modified, or changed in design or function following delivery.
- (IV) In each case, written notice by the Purchaser specifying the alleged defects must be received during the warranty period (within two years of the date of delivery).
- (V) The warranty is limited to replacement parts only.
- (VI) Damages resulting from normal wear and tear are excluded. The determination of whether damage has so resulted will be in the sole discretion of SIDLER.
- (VII) Damages resulting from any errors in representations made by the manufacturer regarding product specifications are excluded.

SIDLER International Ltd.
Vancouver, BC
CANADA

Phone: (604) 415 24 22
Toll Free: (888) 415 24 22
Fax: (604) 415 24 33
E-mail: info@sidler-international.com
Homepage: www.sidler-international.com