

**CODE NUMBER**

3873001T

**DESCRIPTION**

Carbon Offset, Vitreous China Undermount Lavatory.

**DETAILS**

- Nominal Dimensions: 16 ½" × 19 ½" × 7 ½" (419 × 495 × 191mm)

**FEATURES**

- White, vitreous china undermount lavatory
- Great complement to all of Sloan's sensor faucet series
- Front overflow provides clean appearance
- All mounting hardware included
- IAPMO certified to meet or exceed ASME A112.19.2 standards
- Meets ADA guidelines and ANSI A117.1 requirements when installed accordingly

**DOWNLOADS**

- [Sloan SS-3001 Installation Instructions](#)
- [SS-3001 Cutout Template - PDF](#)
- [SS/ST/SU/WETS/WEUS Fixtures Repair and Maintenance Guide](#)
- [Vitreous China Lavatories Repair and Maintenance Guide](#)
- [Additional Downloads](#)



**COMPLIANCES & CERTIFICATIONS**



BREEAM<sup>®</sup>  
MATERIALS



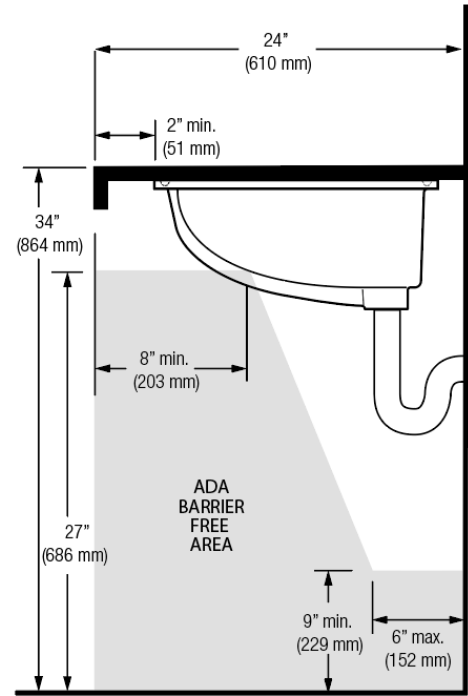
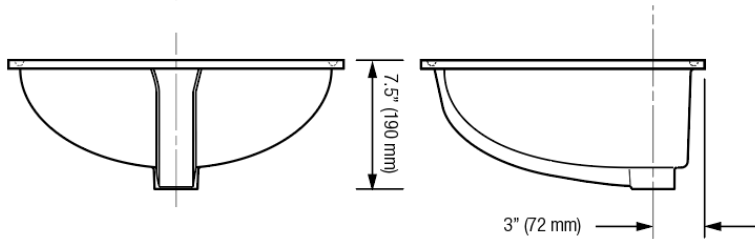
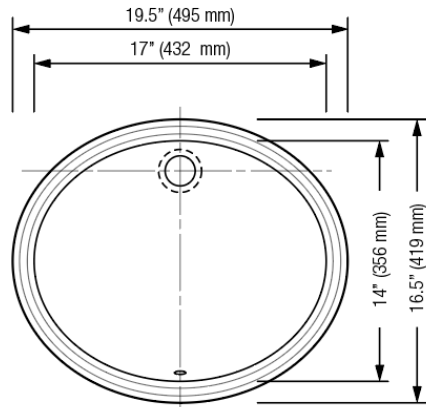
(ADA Compliant, BREEAM Materials Credit, Carbon Neutral, EPD, HPD, LEED Materials & Resources EPD Credit, LEED Materials & Resources HPD Credit, Satisfies LEED Credits)

**NOTES**

All information contained within this document subject to change without notice.

All vitreous china dimensions shown in these drawings are nominal and not to scale. Dimensions can vary within the tolerances established in the governing ASME A112.19.2/CSA B45.1 standard. It is important to consider this when planning rough-in and plumbing layouts.

**ROUGH-IN**



Sloan 10500 Seymour Ave, Franklin Park, IL 60131

Phone: 800.982.5839 • Fax: 800.447.8329 • [sloan.com](http://sloan.com)