

PU75ES

piano design

72CM (approx 28") "Piano Design" Gas Cooktop,
Polished Stainless Steel*

EAN13: 8017709184483

5 burners

Rear Left: 8,000 BTU

Front Left: 3,500 BTU

Center: Double inset super burner 12,300 BTU

Rear Right: 5,500 BTU

Front Right: 3,500 BTU

Stainless steel base

Stainless steel control knobs

Stainless steel grates

Stainless steel burner caps

**"EverShine" invisible finish on burners and grates
protects against heat tarnish**

Automatic electronic ignition

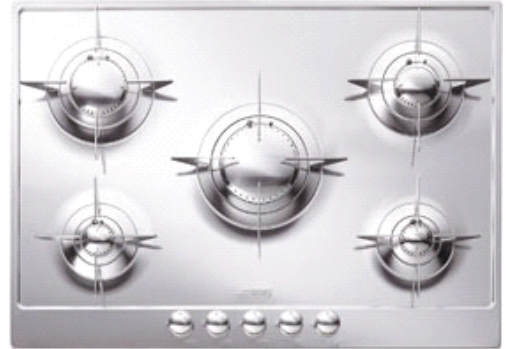
Safety valves

Adaptable for LP gas

Gas Inlet/Power supply location: Back right

Voltage rating: 120V / 60Hz / 0.1Amps

*Note that cooktops with polished stainless steel pan stands: when using exposed to a direct flame all polished stainless steel will tarnish. **Evershine** invisible finish on burners and grates of PU75ES and PU64ES reduces heat tarnish.



Options

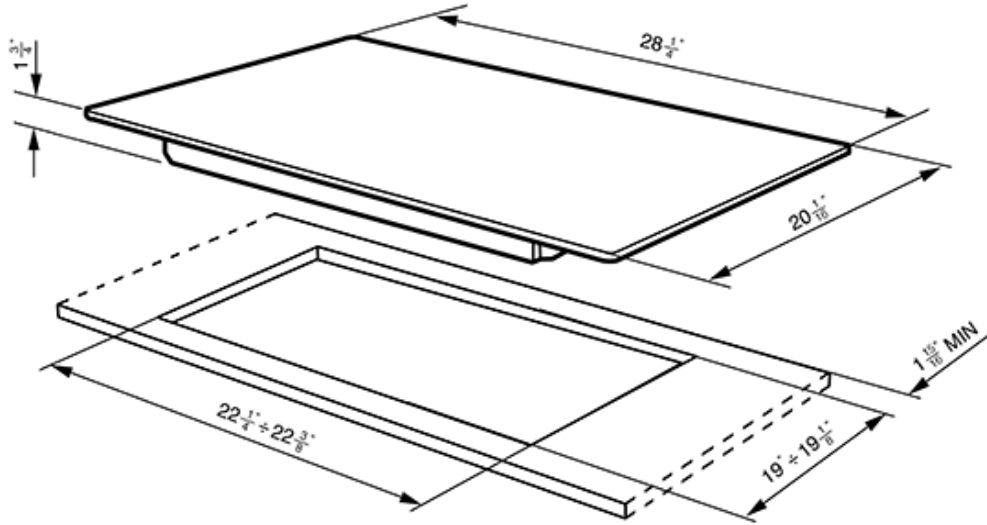
- **GP75ES** - Set of St/steel Grates and Burner Caps



PU75ES

piano design

gas
28"™
polished st/steel
polished st/steel



SMEG U.S.A. INC.
A&D BUILDING
150 EAST 58th STREET, 7th FLOOR
NEW YORK, NY, 10155
Tel. +1 212 265 5378
Fax +1 212 265 5945