

### UNDERMOUNT BASIN SPECIFICATIONS

#### 22" front-to-back tops with single or double oval basins

Inside dimensions: 17½" X 14¼"

Outside dimensions: 19¼" X 16"

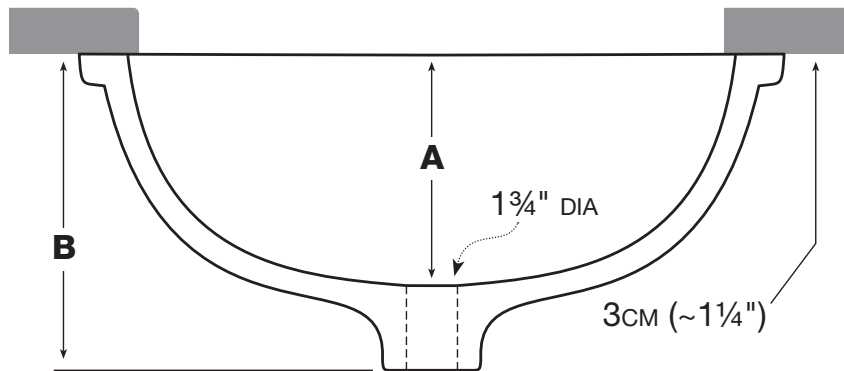
A=6½" B=8"

#### 19" front-to-back tops with single or double oval basins

Inside dimensions: 14¾" X 11¾"

Outside dimensions: 16¾" X 13¾"

A=5¾" B=7¼"



#### 22" front-to-back tops with single or double rectangular basins

Inside dimensions: 19" X 12½"

Outside dimensions: 21" X 14½"

A=6¾" B=8¾"

#### 19" front-to-back tops with single or double rectangular basins

Inside dimensions: 16" X 10¾"

Outside dimensions: 18" X 12¾"

A=6" B=7½"

