

UNIVERSAL PIPE CLAMP

550-2 SERIES

TouchDown II™

SPECIFICATION

Sioux Chief 550-2 series, TouchDown II Universal Pipe Clamp is to be used where necessary to insulate or secure any pipe, conduit or wire ranging from 1/2" CTS to 2" IPS in residential or commercial applications. Variable clamping tension allows for expansion and contraction. Provides 1/4" standoff from building member. Install by screwing clamp base with provided screw to building member or surface. Lay pipe in base of clamp and ratchet clamp's top bridge to secure pipe, conduit or wire. When desired, optional noise absorption inserts may be purchased separately to provide higher level of noise reduction by installing one insert into each of the clamp base and clamp bridge. Noise absorption inserts do not alter heat or weight tolerances. Noise absorption inserts NOT be used with plenum-safe models.

MATERIALS

Nylon (black): 100% corrosion proof virgin nylon 66, U.V. protected, UL94 V-2 rated

E84 plenum-safe (orange): polyvinylidene fluoride (PVDF), meets ASTM E84 25/50 and UL94 V-0

Noise insert: thermoplastic elastomer

Screw: #6 x 1" zinc-plated, bugle head, drill point

WORKING TEMPERATURE

Nylon (Black): -10°F – 220°F

E84 Plenum-Safe (Orange): -10°F – 140°F

SAFE WORKING LOAD

Nylon (Black):

-10°F – 130°F 150 lbs.

131°F – 180°F 105 lbs.

181°F – 220°F 70 lbs.

E84 Plenum-Safe (Orange):

-10°F – 100°F 50 lbs.

101°F – 120°F 35 lbs.

121°F – 140°F 25 lbs.

DIMENSIONS

A: clamp width	0.255"
B: clamp height	4"
C: clamp depth	0.98"
D: clamp range	0.625" – 2.375"
E: clamp range with inserts	0.875" – 2.375"
F: bridge width	3.41"
G: bridge depth	0.97"
H: centerline dimension	0.5"
I: centerline dimension	1"
J: offset distance	0.25"

ITEM # SUBMITTED	_____
JOB NAME	_____
LOCATION	_____
ENGINEER	_____
CONTRACTOR	_____
PO#	_____ TAG _____

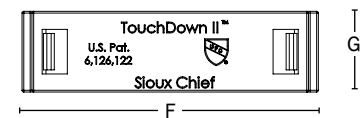
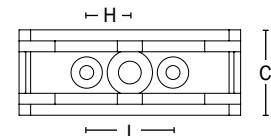
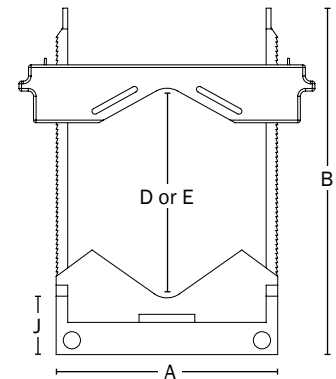


550-20

550F20



550-200B



Made in USA

Create Item Number

550-A2TB

e.g. 550-2T: black nylon TouchDown II Strut Clamp

MATERIAL A

- = black nylon (dash)

F = polyvinylidene fluoride

BRIDGE B

_ = one bridge (blank)

1 = two bridges