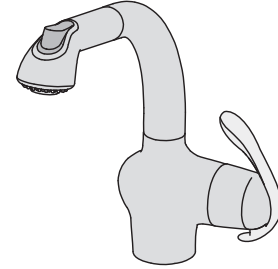


Location:

SYMMONS® Forza™

Kitchen Faucet S-2640 Specification Submittal



Model Numbers

- S-2640 Kitchen Lavatory

Finish Options / Modifications

Append appropriate -suffix to model number.

- STN Satin nickel
- STS Stainless Steel
 - Polished chrome (standard finish)

Warranty

- Limited Lifetime - to the original end purchaser in consumer installations.
- 5 years - for commercial installations

Feature Highlights

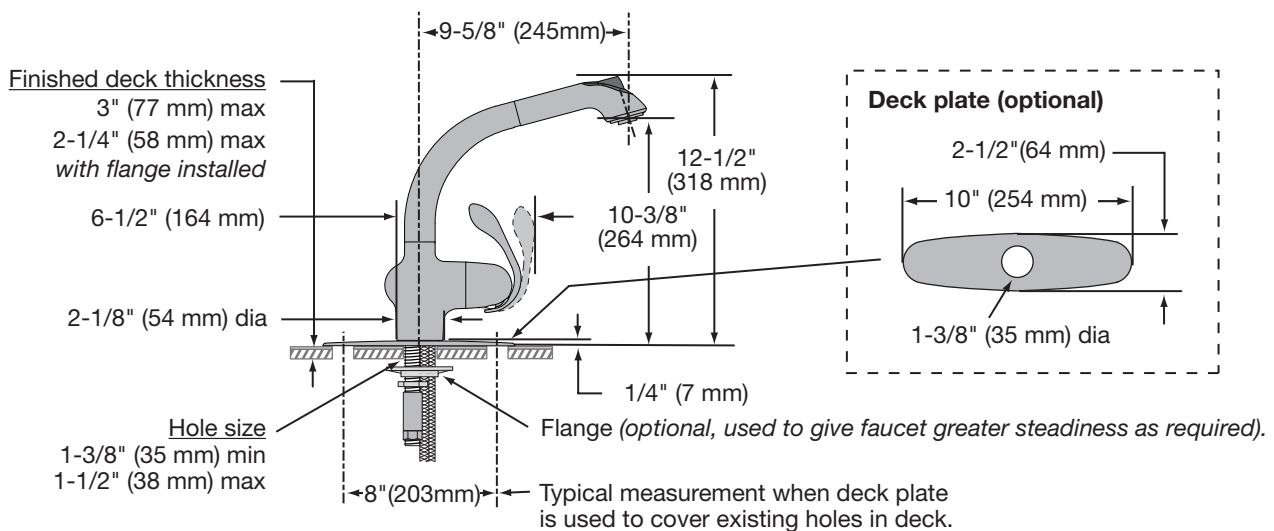
- Single handle kitchen faucet with horizontal pull-out spray spout with retractable pull-out spray hose
- Pull-out spray spout has spray to stream touch control
- Integral vacuum breaker and ceramic control components
- Braided hose connections
- Single hole or 3 hole installation (includes optional deck plate / escutcheon)

Standards / Certifications

ASME A112.18.1; CSA B125.1
NSF 61.9, NSF 372



Dimensions Forza Kitchen Faucet, S-2640



Symmons Industries, Inc. ■ 31 Brooks Drive ■ Braintree, MA 02184
 Phone: (800) 796-6667 ■ Fax: (800) 961-9621
 Website: www.symmons.com ■ Email: gethelp@symmons.com
 Copyright © 2015 Symmons Industries, Inc. ■ ZV-1431 REV A ■ 081115

