



Location:

3601-TRM, 3601TRMTC
Shower Trim
Specification Submittal



Feature Highlights

- Duro Shower Trim
- Requires Temptrol® Pressure Balancing Shower Valve
- Metal lever handle
- 1 mode showerhead
- 2.5 gpm (9.5 L/min) flow restrictor
- Tub spout not included
- Components shall be metal and nonmetallic construction, plated in standard Polished Chrome finish
- Available with TA-10 flow control spindle and T-12A cap assembly for Temptrol valve bodies installed with Test Cap (order p/n 3601TRMTC)

Model Numbers

- 3601-TRM**
Shower Trim, Temptrol Pressure Balancing Shower Valve ordered separately
- 3601TRMTC**
Shower Trim with TA-10 flow control spindle and T-12A cap assembly, must order Temptrol valve with Test Cap

Compliance


- ASME A112.18.1/CSA B125.1



Warranty

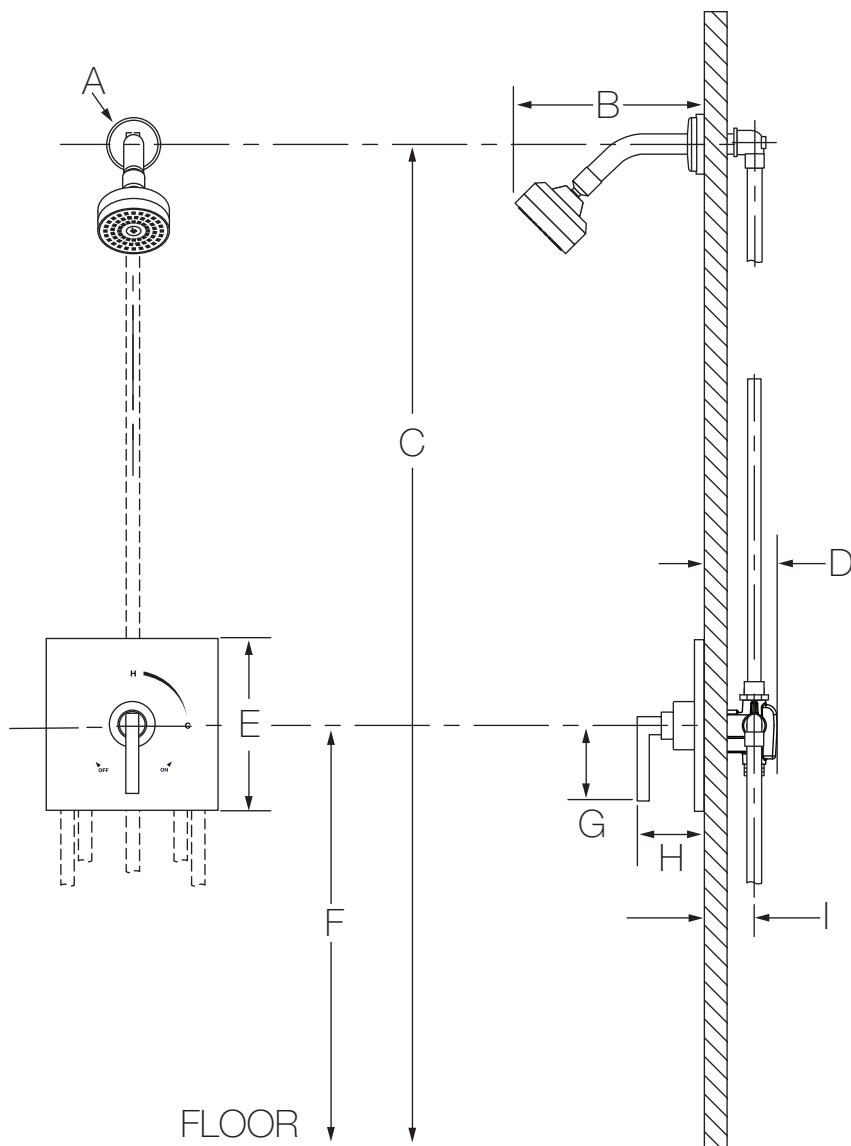
Limited Lifetime - to the original end purchaser in consumer/residential installations.
5 Years - for industrial/commercial installations.
Refer to www.symmons.com/warranty for complete warranty information.
Go to www.symmons.com/register to register your Symmons product.

Options/Modifications

- 1.5**  1.5 gpm (5.7 L/min) flow restrictor
- 2.0** 2.0 gpm (7.6 L/min) flow restrictor
- EX** Exposed column/slide bar, hand shower bracket and hand shower wand (36EX)
- L1** Less showerhead
- REB** Rebuild trim kit, includes TA-10 and TA-4
- SH1** Alternative 352SH Dia showerhead
- SH2** Alternative 352SH-3, 3 mode showerhead
- SH4** Alternative 361SH square showerhead
- VP** Vandal resistant escutcheon screws in place of standard screws
- BBZ** Brushed Bronze finish
- MB** Matte Black finish
- STN** Satin Nickel finish

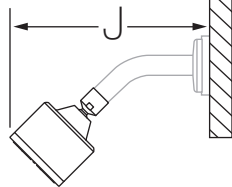
Note: Append appropriate -suffix to model number.

Dimensions

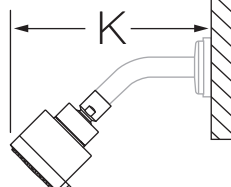


Measurements	
A	Ø 2-1/2", 64 mm
B	6", 152 mm
C	Ref. 77", 1956 mm
D	3-1/2", 89 mm
E	Sq. 7-1/2", 191 mm
F	Ref. 42", 1067 mm
G	3-1/8", 79 mm
H	3-1/2", 89 mm
I	Rough-in 2-3/8" ± 1/2", 60 mm ± 13 mm
J	6-3/4", 171 mm
K	6-3/4", 171 mm
L	5-5/8", 143 mm

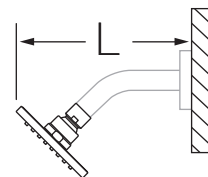
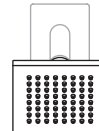
-SH1



-SH2



-SH4



Notes:

- 1) Valve body and piping not included and shown as reference only.
- 2) Plaster shield (p/n T-176) for dry wall, plaster or other type walls 1/2" or greater.
- 3) All dimensions measured from nominal rough-in (see I as reference).
- 4) Dimensions subject to change without notice.