

MC30WP

30-INCH SPEED OVEN

PROFESSIONAL SERIES



FEATURES & BENEFITS

- A microwave and a convection oven for a variety of cooking options including convection bake and broil.
- 36 CookSmart® automatic cooking programs offer faster cooking times for your convenience
- 10 levels of microwaveable power with a kitchen timer and panel lock setting
- Specially crafted gray glass on stainless steel for a luxurious look and finish
- Designed for flexibility—standard or flush installation into kitchen cabinets



GENERAL PROPERTIES

Cavity Color	Stainless Steel
Microwave Power (W)	1000 W

Modes

36 CookSmart® Auto Programs (Including True Convection, Hi & Lo Broil, Keep Warm, Frozen Foods) + Microwave

OVEN PERFORMANCE

Bake Element Wattages	600 W
Broil Element Wattages	1,750 W
Convection Element Wattages	1,700 W

CAPACITY

Cavity Capacity (cu. ft.)	1.6 cu. ft.
---------------------------	-------------

TECHNICAL DETAILS

Watts (W)	3,840 W
Circuit Breaker (A)	16 A
Volts (V)	208 or 240 V
Frequency (Hz)	60 Hz
Plug Type	4 wire fixed connection
Power Cord Length (in.)	48"

DIMENSIONS & WEIGHT

Overall Appliance Dimensions (HxWxD) (in.)	19 5/8" x 29 3/4" x 22 3/8"
Required Cutout Size (HxWxD) (in) – Standard Install	19 1/4" x 28 1/2" x 22"
Required Cutout Size (HxWxD) (in) – Flush Install	20 1/8" x 30" x 23 1/2"
Oven Overall Interior Dimensions (HxWxD) (in.)	9 7/8" x 16 1/2" x 16 1/2"
Turntable Diameter (in.)	12 3/4"
Turntable Diameter (in.) – Ceramic Cookware Max.	12 1/2"
Rack – Rectangular Cookware Max.	15" x 12"
Net Weight (lbs)	96 lbs.

ACCESSORIES (INCLUDED)

Metal turntable, cooking rack, ceramic cooking tray

WARRANTY

Limited Warranty, Entire Appliance, Parts and Labor	2 Year
---	--------

†To be fully ADA compliant, these units must be installed according to ADA guidelines. Please check current ADA requirements for guidance on installation.

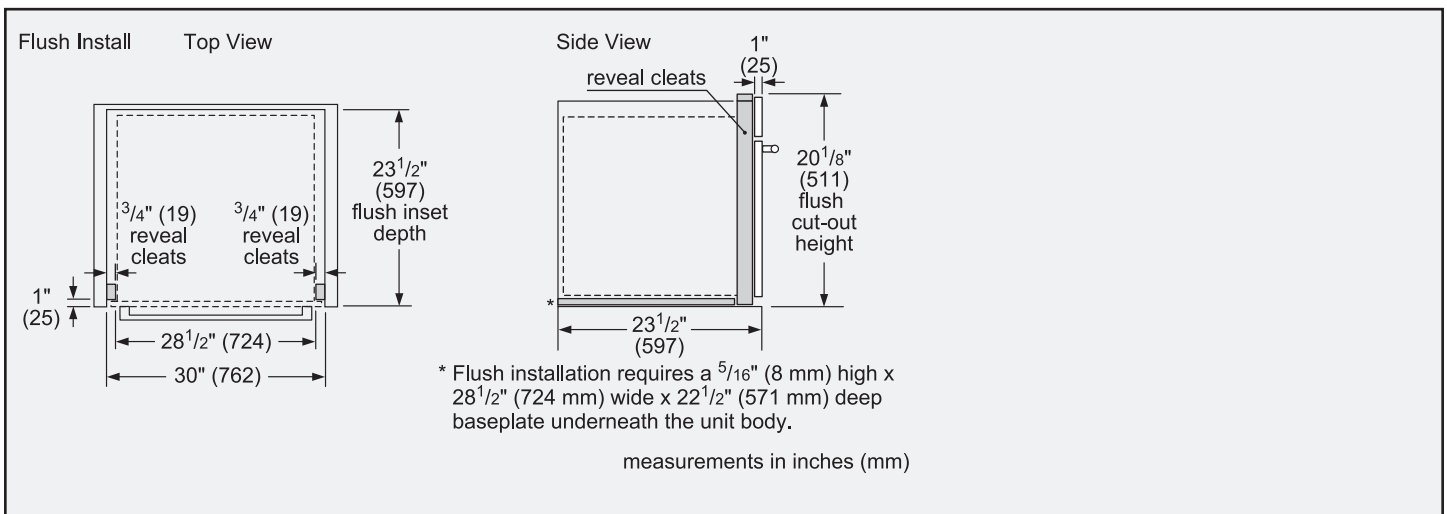
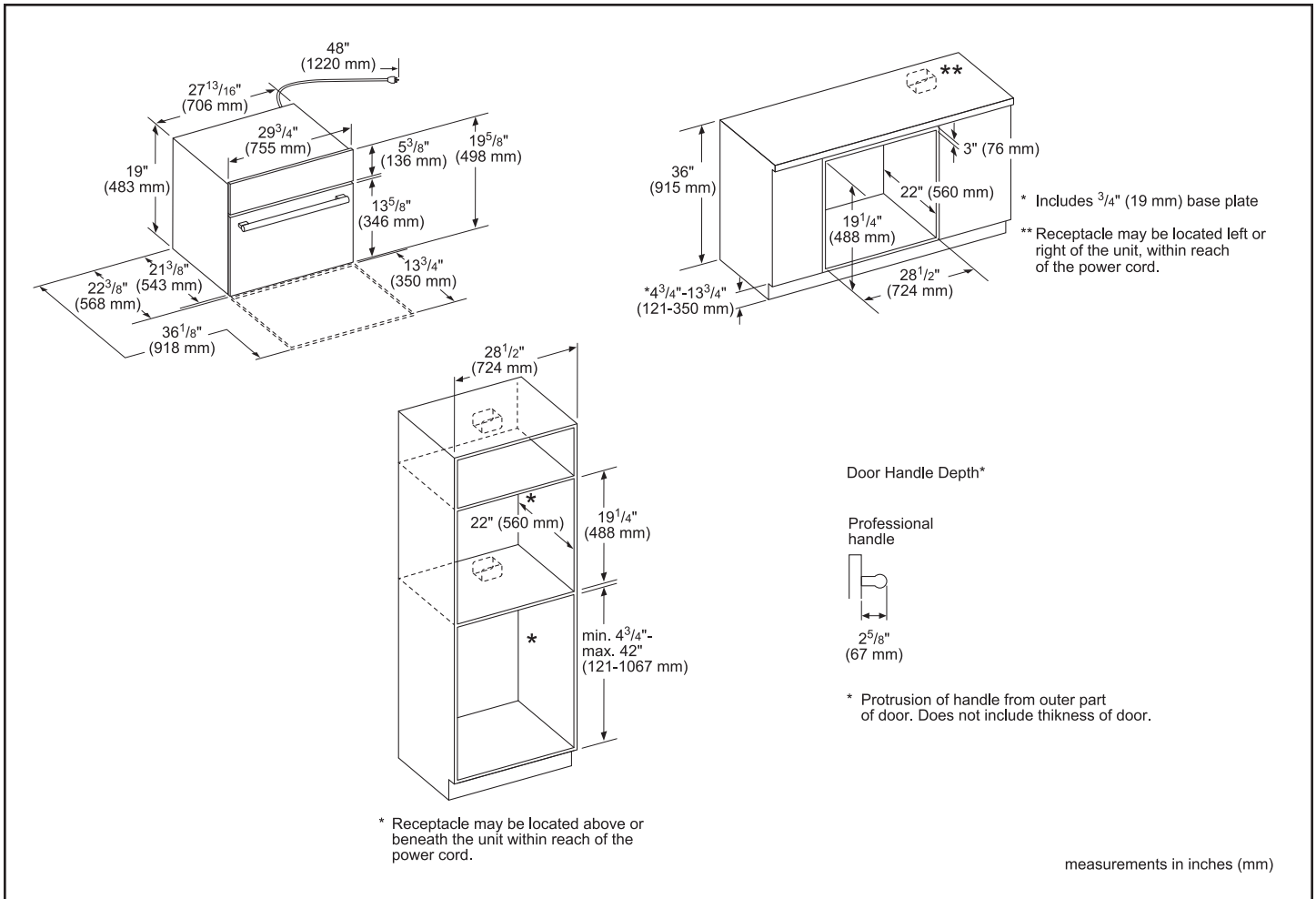
MC30WP

30-INCH SPEED OVEN

PROFESSIONAL SERIES



INSTALLATION DETAILS



INSTALLATION DETAILS

Standard Side-by-Side Installation

measurements in inches (mm)

Flush Side-by-Side Installation

Combination Type	A Left reveal cleat	B Right reveal cleat	C cut-out width	D cut-out width
Flush Bottom hinge	3/4" (19 mm)	3/4" (19 mm)	29 1/4" (743 mm)	29 1/4" (743 mm)
Flush Side Hinge (Left)	1 1/2" (38 mm)	N/A*	30" (762 mm)	N/A*
Flush Side Hinge (Right)	N/A*	1 1/2" (38 mm)	N/A*	30" (762 mm)

*Installation not recommended

measurements in inches (mm)

Standard Installation Over Single Oven

measurements in inches (mm)

- * Junction box may be located above or next to the unit within the reach of the power cable.
- ** Junction box may be located below (depending on space) or next to the unit within the reach of the power cable.
- ***Most combinations available as combo oven (one cut-out, one electrical hook-up).

Minimum dimension between cut-out:

- 1" (25 mm) for wall oven cut-out height of 28 5/8" (727 mm)
- 2 5/8" (67 mm) for wall oven cut-out height of 27" (686 mm).

Flush Installation Over Single Oven

Side View

***Flush installation requires a base plate underneath the body: 30" products—Dimensions: H 5/16" (8 mm) x W 28 1/2" (724 mm) x D 22 1/2" (571 mm)

minimum 1/2" (13 mm) required between cut-out*

*IMPORTANT: Base has to be able to support the weight of the oven. Please check oven manual for minimum weight requirements.

**Most combinations available as combo oven (one cut-out, one electrical hook-up).

measurements in inches (mm)

These warranties give you specific legal rights and you may have other rights that vary from state to state. Full warranty and limited warranty from date of installation. For complete warranty details, refer to your Use & Care manual, or ask your dealer.

Specifications are for planning purposes only. Refer to installation instructions and consult your countertop supplier prior to making counter opening. Consult with a heating and ventilation engineer for your specific ventilation requirements. For the most detailed information, refer to installation instructions accompanying product or write to Thermador indicating the model number. Specifications are correct at time of printing. Thermador reserves the right to change product specifications or design without notice. Some models are certified for use in Canada. Thermador is not responsible for products that are transported from the U.S. for use in Canada.