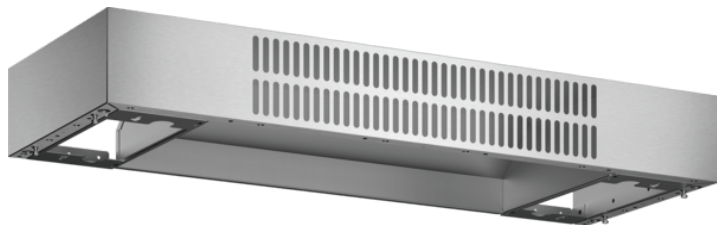


Recirculation Kit for Low-Profile Wall Hoods
RECHMWB30



Product Features



Notes: Please refer to installation instructions. Installation instructions are available at www.thermador.com. Specifications are correct at the time of printing. Thermador reserves the right to change product specifications and design at any time, without notice.

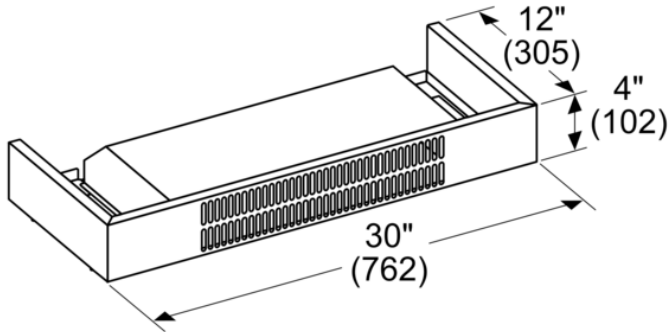
1 800 735 4328 | WWW.THERMADOR.COM | 1901 Main Street, Suite 600 Irvine, CA 92614

©2021 BSH HOME APPLIANCES CORPORATION, ALL RIGHTS RESERVED LITHO DATE: 01/2021

Recirculation Kit for Low-Profile Wall Hoods
RECHMWB30



measurements in inches (mm)



Product Features

	Accessory
Brand	Thermador
SKU	RECHMWB30
Internal article number	00000000000718498
EAN code	825225955894
Product packaging dimensions (HxWxD) (in)	9" x 38 1/2" x 16 1/2"
	14
	16
Standard number of units per pallet	24
UPC code	825225955894
Product image	MCSA03292322_J5560_2645800_RECHMWB30_ST

Technical Specification

Notes: Please refer to installation instructions. Installation instructions are available at www.thermador.com. Specifications are correct at the time of printing. Thermador reserves the right to change product specifications and design at any time, without notice.

1 800 735 4328 | WWW.THERMADOR.COM | 1901 Main Street, Suite 600 Irvine, CA 92614

©2021 BSH HOME APPLIANCES CORPORATION, ALL RIGHTS RESERVED LITHO DATE: 01/2021