

GS Three-Hole Roman Tub Filler Trim

FEATURES

- Lever handles
- Brass construction
- For use with three-hole roman tub filler rough-in (TBN01201U)

REQUIRED COMPONENTS (Sold Separately)

- **TBN01201U**
Three-Hole Roman Tub Filler Rough-In

COLORS/FINISHES

- #CP Polished Chrome
- #PN Polished Nickel
- #BN Brushed Nickel



PRODUCT SPECIFICATION

Tub filler trim shall have a brass construction. Product shall have lever handles. Product requires TBN01201U rough-in, sold separately. Product shall be TOTO Model TBG03201U#_____.

CODES/STANDARDS

- Meets or exceeds ASME A112.18.1/CSA B125.1
- Certifications: IAPMO(cUPC), State of Massachusetts and others
- Code Compliance: UPC, IPC, NSPC, NPC Canada, and others
- ADA Compliant



TBG03201U

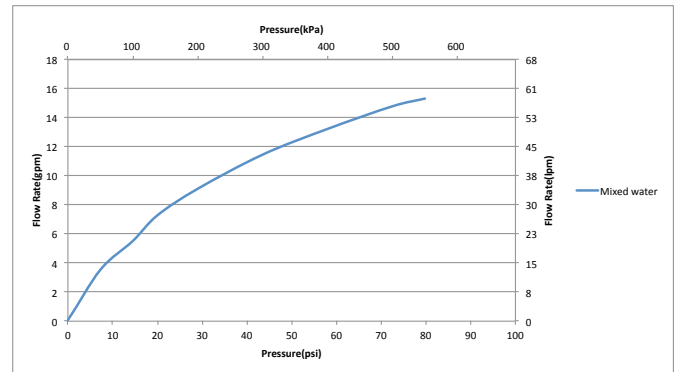
GS Three-Hole Roman Tub Filler Trim

SPECIFICATIONS

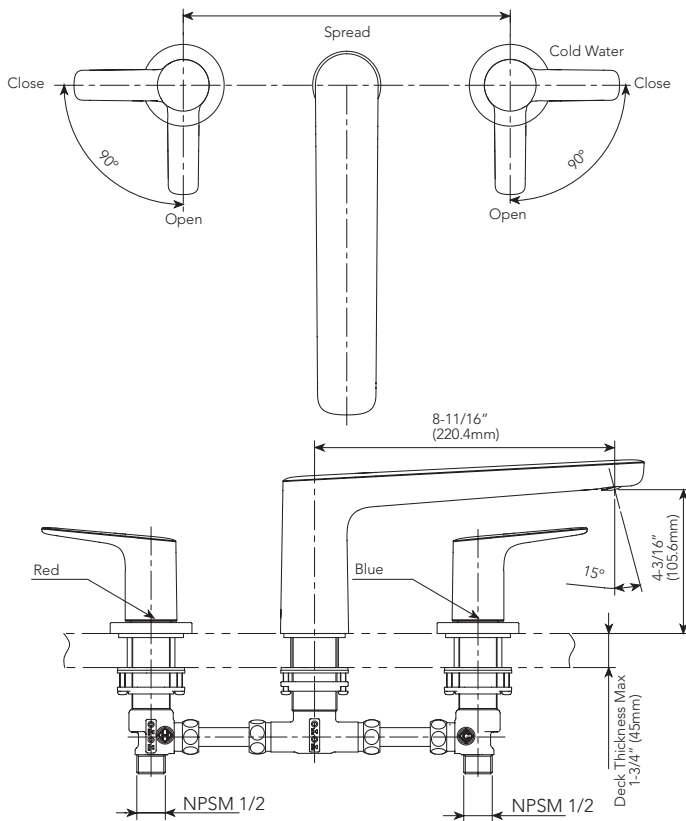
| | |
|----------------------------|--|
| Material | Brass |
| Warranty | Lifetime Limited Warranty (Residential Use) One Year (Commercial Use) |
| Shipping Dimensions | 21" x 9-3/4" x 3-1/2" |
| Shipping Weight | 7.25 lbs |

INSTALLATION NOTES

- Check local codes for requirements on installing an ASSE 1070/ASME A112.1070/CSA B125.70 compliant device in series with the tub filler
- Three-hole roman tub filler rough-in TBN01201U sold separately
- Please refer to the TBN01201U spec sheet for more required installation details



DIMENSIONS



TOTO

These dimensions and specifications are subject to change without notice