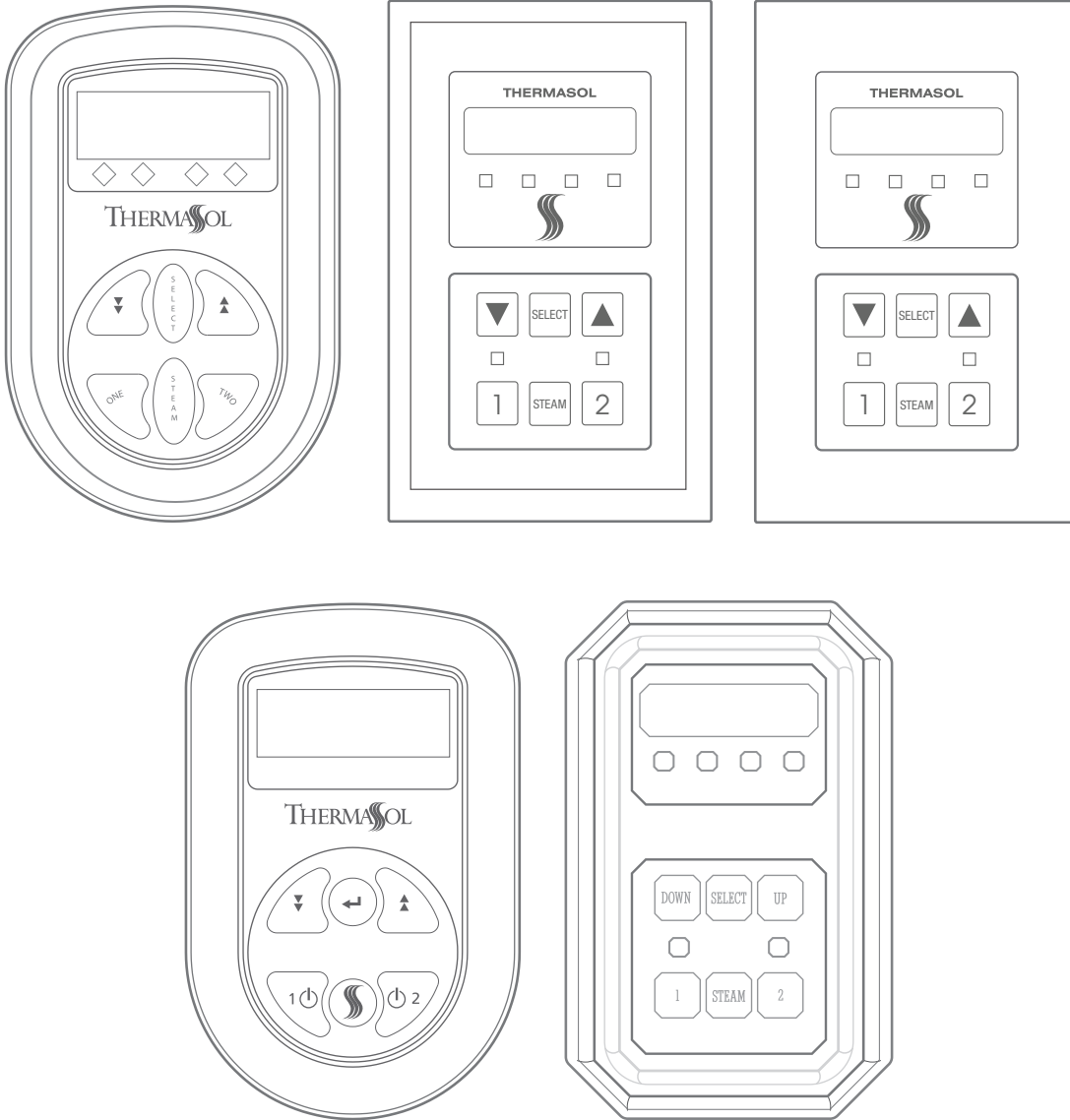


# Signature Series Control



## Installation Manual

For Tutorials and Troubleshooting visit [www.thermasol.com/solutions](http://www.thermasol.com/solutions)

From top - L to R: SET-XX Traditional, SEM-XX Modern, SEMR-XX Modern Recessed, SEC-XX Contemporary, SER-XX Regency

# THERMASOL®

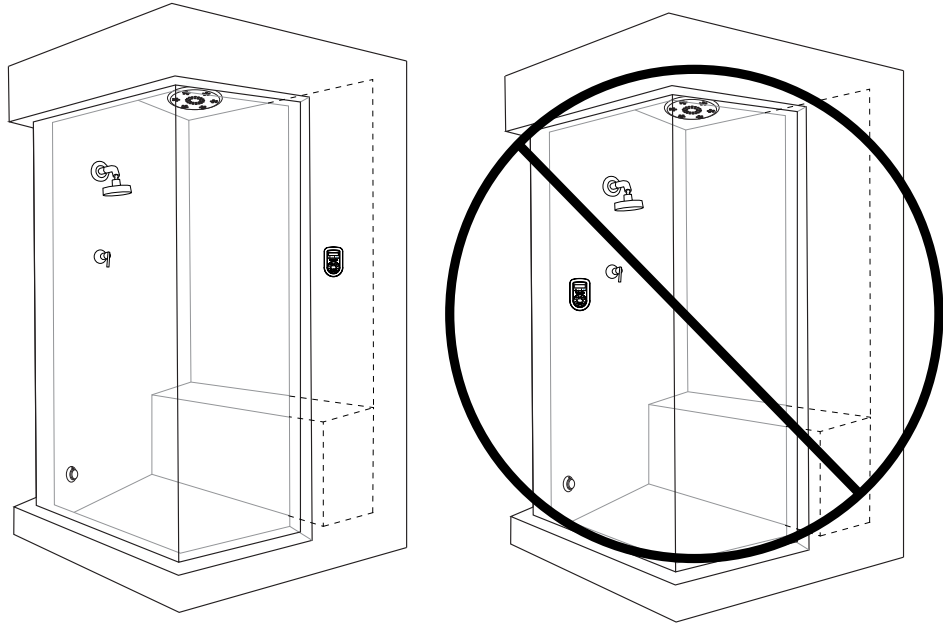
OVER 55 YEARS OF STEAM SHOWER INNOVATION

# 1 Important Information before You Install

The Signature Series Control must be installed inside the shower.

The Signature Series control will only function on the current SSM, SSA and PRO Series generators.

The control should be installed 60" from the floor of the shower and away from the steamhead.



## PLEASE REVIEW WARNINGS BELOW AND LEAVE THIS MANUAL WITH HOMEOWNER

DO NOT USE THIS PRODUCT UNLESS YOU HAVE CONSULTED WITH YOUR DOCTOR AND RECEIVED WRITTEN PERMISSION TO DO SO. USE OF THIS PRODUCT MAY BE HAZARDOUS TO YOUR HEALTH.

PLEASE CONSULT YOUR PHYSICIAN BEFORE USING. IF YOU ARE PREGNANT, ELDERLY, HAVE HIGH BLOOD PRESSURE, DIABETES, SUFFERING FROM HEART DISEASE, ARE INTOXICATED, OR NOT IN GOOD HEALTH, DO NOT USE THIS STEAM BATH.

STEAM IS HOT! DO NOT TOUCH OR GO NEAR THE STEAMHEAD FROM THE TIME THE UNIT IS "ON," UP TO ONE HOUR AFTER IT HAS SHUT OFF. SEVERE BURNS WILL OCCUR IF YOU COME IN CONTACT WITH THE STEAMHEAD OR STEAM EMITTING FROM THE STEAMHEAD.

NEVER ATTEMPT TO FILL AROMA RESERVOIR ON THE STEAMHEAD WHEN UNIT IS IN THE "ON" POSITION. SEVERE BURNS WILL OCCUR.

DO NOT USE THERMASOL AROMATHERAPY OILS, SKIN CARE PRODUCTS OR ANY PRODUCT ASSOCIATED WITH YOUR THERMASOL UNIT WITHOUT CONSULTING WITH YOUR ALLERGIST OR DOCTOR BEFORE USE. THESE PRODUCTS MAY BE HAZARDOUS TO YOUR HEALTH.

DO NOT USE STEAM ROOM WHILE UNDER THE INFLUENCE OF ALCOHOL OR DRUGS, AS THIS CAN BE HAZARDOUS TO YOUR HEALTH.

YOUR SHOWER MAY BE A SLIP-AND-FALL HAZARD. CHECK WITH YOUR CONTRACTOR OR FLOORING MANUFACTURER REGARDING THE SAFE USE OF YOUR FLOORING IN A STEAM APPLICATION. SLIPPING AND FALLING INTO THE STEAMHEAD ITSELF OR INTO THE STREAM OF STEAM EMITTING FROM THE STEAMHEAD WILL CAUSE SERIOUS BURNS OR PHYSICAL INJURY.

IF YOU ARE FEELING UNCOMFORTABLE, DIZZY, FAINT, OR STARTING TO FALL ASLEEP, IMMEDIATELY EXIT THE STEAM ROOM.

DO NOT USE STEAM ROOM IF YOU ARE UNDER THE AGE OF 16 UNLESS SUPERVISED BY AN ADULT.

THERMASOL STEAM BATH GENERATORS ARE NOT DESIGNED TO BE USED FOR SPACE HEATING PURPOSES.

THERMASOL STEAM BATH GENERATORS ARE FOR INDOOR USE ONLY. THEY SHOULD NEVER BE LOCATED OUTSIDE THE HOME.

All products must be installed in accordance with installation instructions provided. Failure to do so may invalidate warranty at manufacturer's discretion.  
©2016 ThermaSol.

81173\_NC 3/16

Read warnings on page 2. For illustrative purposes only. Consult with qualified professional for steam room construction details.

## 2 Tools and Materials

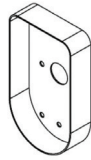
**Parts enclosed**



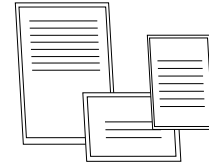
Controller  
(Contemporary style shown here)



Silicone



Mud Ring  
(RIK-SEMR-1) for SEMR-NTS-XX  
installation only



Installation instructions, warranty,  
static cling warning label

**Materials needed:**

- Signature Series control
- CAN-Bus Cable  
(included with generator)
- Silicone
- Other materials as required

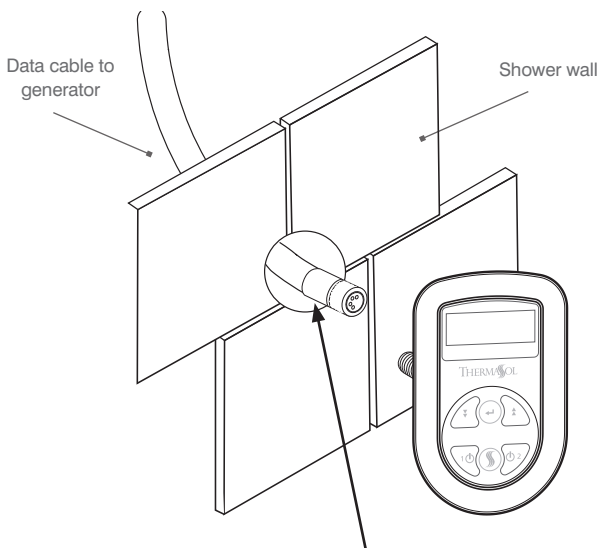
**Tools needed:**

- 1/2" drill for surface mount
- Follow pre-installation instruction on  
page 5 for recessed mount controls
- Drill motor
- Other tools as required

## 3 Control Installation and Data Cable Connection

### Surface Mount Installation

SEC-XX, SEM-XX, SET-XX, SER-XX,  
SEC-NTS-XX, SEM-NTS-XX, SET-NTS-XX, SER-NTS-XX

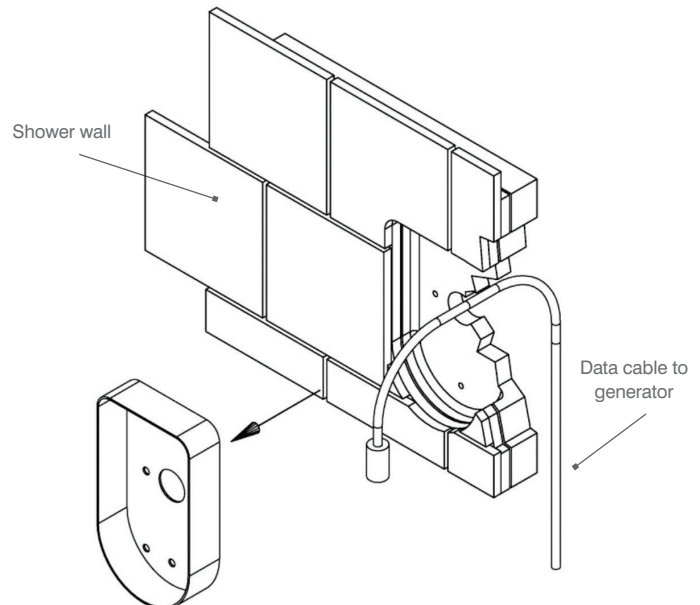


Make a 1/2" diameter hole in the desired location.

The control should be installed 60" from the floor of the shower and away from the steamhead.

### Recessed Mount Installation

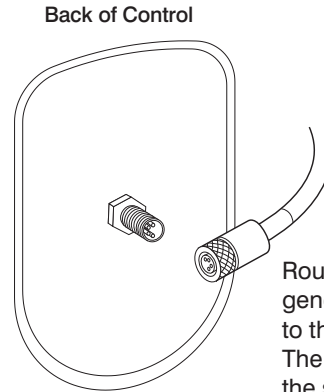
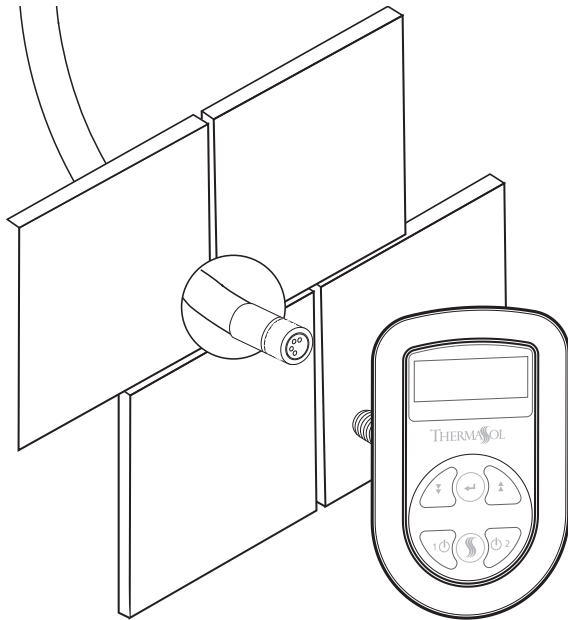
SEMR-XX and SEMR-NTS-XX



Install recessed control mud-ring (provided with control) during rough-in stage of wall preparation. Fabricate and install materials as precise as possible, following the shape of the mud-ring.

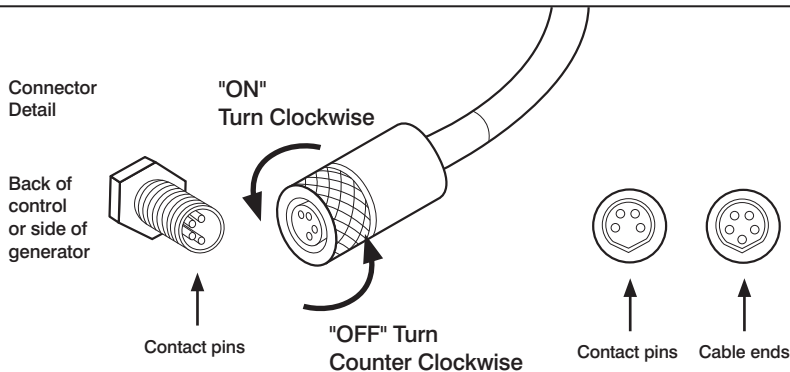
**See page 5 for detailed instructions.**

# 4 Control Installation and Data Cable Connection



Route the data cable (included with generator) through the finished wall to the back side of the control. The other end of the cable runs to the steam generator location or if present to SWM-2 or PDM.

**NOTE:** It is recommended to run the cable through electrical conduit.

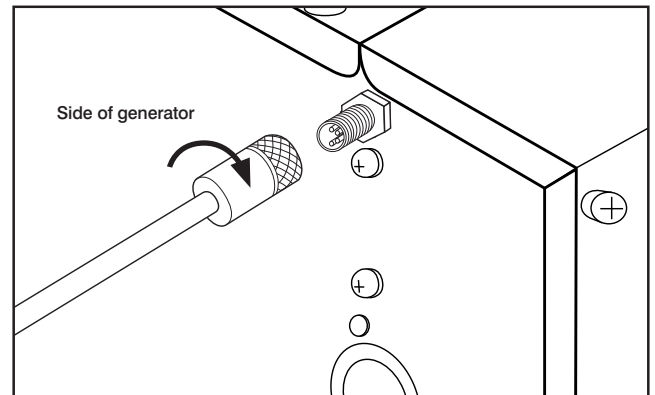
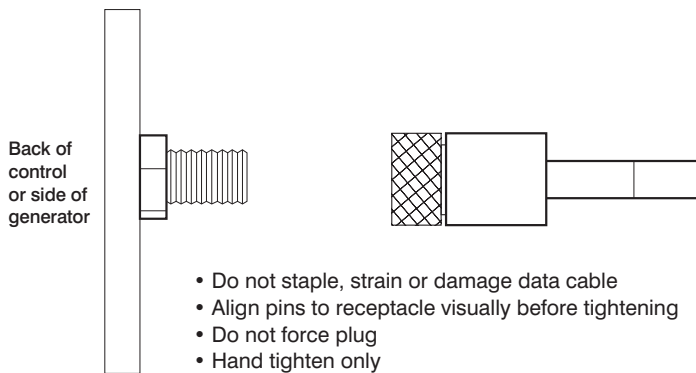


**DO NOT** pinch, nail, staple, wedge, or bind the data cable.

**DO NOT** wrap the data cable around steam line or route it in a manner so that the hot steam line could melt the cable.

Any damage to the control cable will result in the control not working properly.

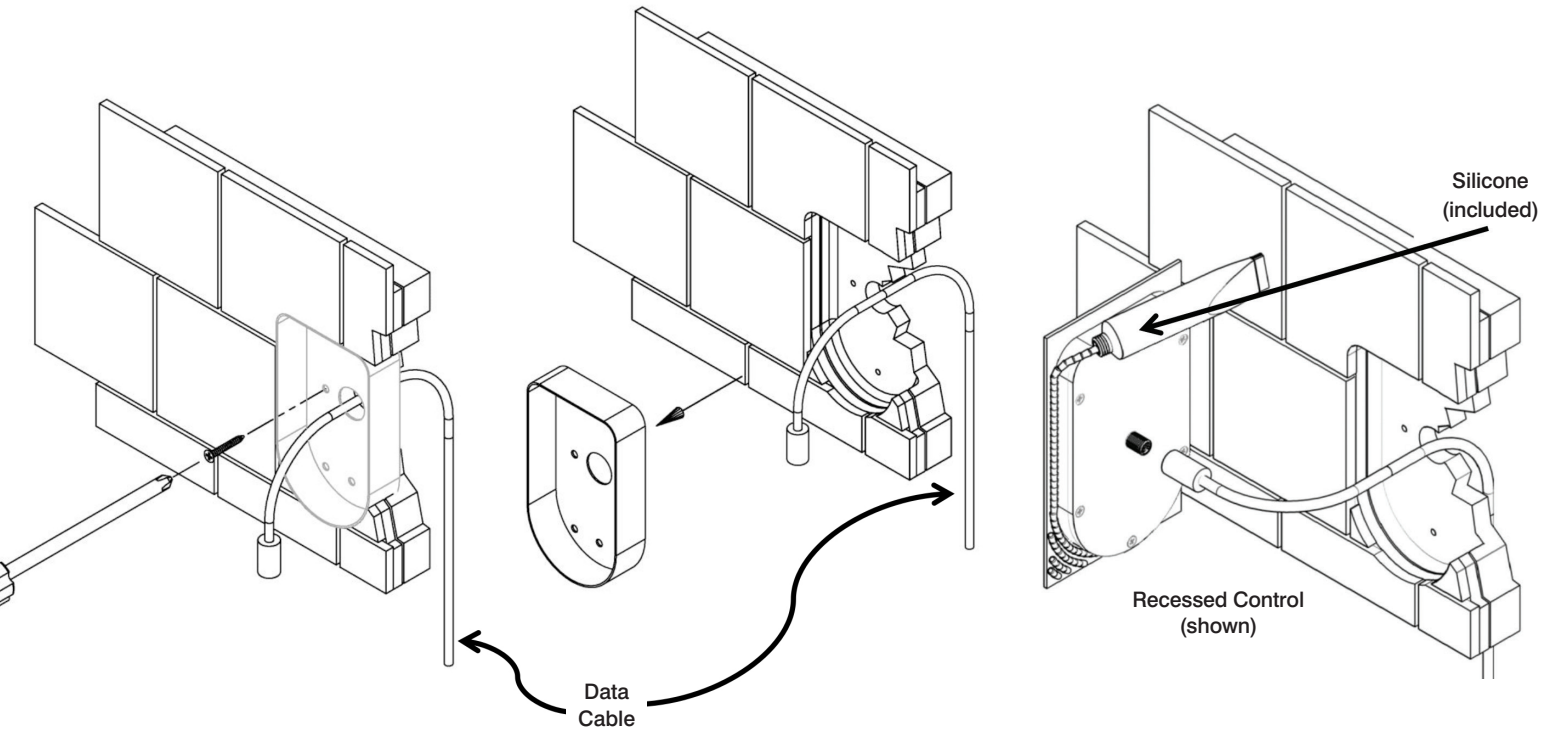
Carefully connect the data cable to the generator and control **BEFORE** turning power on to the generator.



Connect the data cable to steam generator connector. (The other end of the cable runs to the back of the control in the shower location or to the SWM-2 or PDM if present.)

# 5 Mud Ring Installation + Sealing Control

## For Recessed Controls Only (SEMR-XX and SEMR-NTS-XX)



**Step 1: BEFORE TILE** - Use the supplied mud ring by attaching to wall face using a few standard screws. Then tile to the edge of the mud ring.

**Step 2:** Once finished tile is completed remove mud ring from wall. Ensure that the total minimum depth is 5/8" so control face sits flush to wall. Connect cable so it is not lost in wall. Test fit for flushness.

**Step 3: IMPORTANT: Fully test the control system prior to silicone.**

Once desired fit is achieved coat back of control face with supplied silicone. Firmly press to wall surface and wipe excess silicone from around control. Tape into LEVEL position and let dry for 24 hours before using steam bath.

# Sealing Control

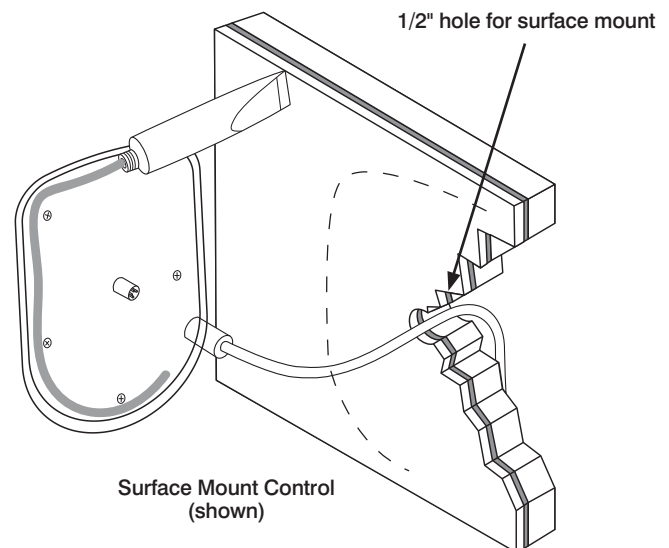
## For Surface Controls Only

(SEC-XX, SEM-XX, SET-XX, SER-XX, SEC-NTS-XX, SEM-NTS-XX, SET-NTS-XX, SER-NTS-XX)

**Step 1:** Coat the entire groove on the control back with supplied waterproof silicone to fully seal the control to the wall. Completely seal the control to the wall so moisture does not collect behind it.

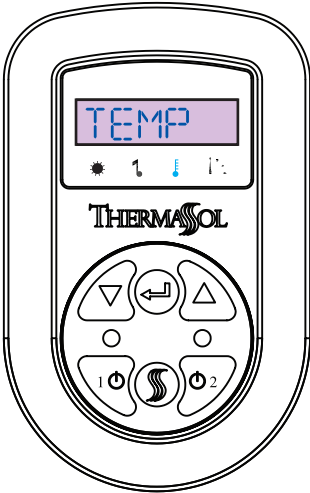
**Step 2:** Place the control on the wall pressing firmly. (You may need to tape the control into place until the silicone dries.) Be careful not to harm the wall or control with the tape. Let dry for 24 hours before using steam bath.

**IMPORTANT: Fully test the control system prior to silicone.**



# 6 Operation

For More Operating Interactive Instructions please visit: [www.thermasol.com/solutions](http://www.thermasol.com/solutions)



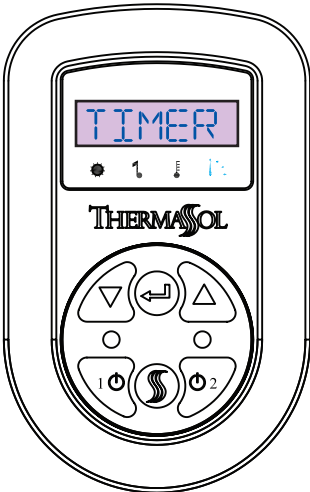
- A Taking a Steam Bath**  
On your ThermaSol Signature Series Control, touch and release the power icon (⏻) to power on. To turn off the steam unit touch and release the power icon (⏻) once.

- B Setting or Changing the Temperature Set Point**  
Press the  $\Delta$  or  $\nabla$  button until you reach the temperature menu. Press  $\leftarrow$  button. Set the temperature of your ThermaSol steam shower by using the  $\Delta$  or  $\nabla$  symbols, which are located immediately to the left and to the right of the  $\leftarrow$  Select/Return button. Press  $\leftarrow$  button.

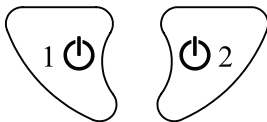
**Increase the temperature by touching the UP  $\Delta$  symbol** until desired temperature is displayed. Press  $\leftarrow$  Select/Return button.



**Reduce the temperature by touching the down  $\nabla$  symbol** until desired temperature is displayed. Press  $\leftarrow$  Select/Return button.



- C Setting the timer**  
Press the  $\Delta$  or  $\nabla$  button until you reach the time menu. Press  $\leftarrow$  Select/Return button. Set the timer of your ThermaSol steam shower by using the  $\Delta$  or  $\nabla$  button symbols, which are located immediately to the left and to the right of the  $\leftarrow$  Select/Return button. Press  $\leftarrow$  Select/Return button.



**User 1 & 2 Presets**

To preset user settings, press user button and makes changes, five seconds after control will save settings.

Each User (1 & 2) has two settings - one for regular shower use and one for steam session use.



**Volume Short-Cut**

Press and hold  $\Delta$  or  $\nabla$  buttons for three second up or down arrows while in home menus.

# 7 Trouble Shooting and Error Codes

Visit [www.thermasol.com/solutions](http://www.thermasol.com/solutions). Click on Troubleshoot then click on Signature Series Control Error Codes

# THERMASOL®

*Superior Steamshower Systems*



1958 STEAM WAY ROUND ROCK, TX 78665

PHONE: 800.776.0711 | SUPPORT@THERMASOL.COM | WWW.THERMASOL.COM

WWW.THERMASOL.COM/SOLUTIONS

81173\_NC 3/16