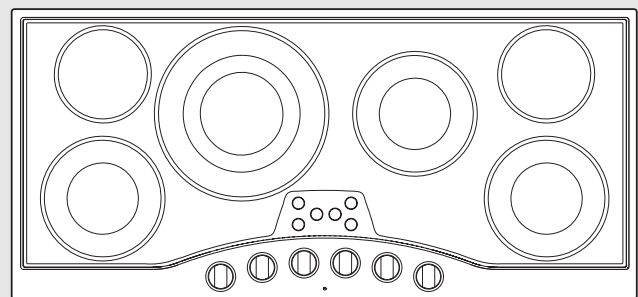
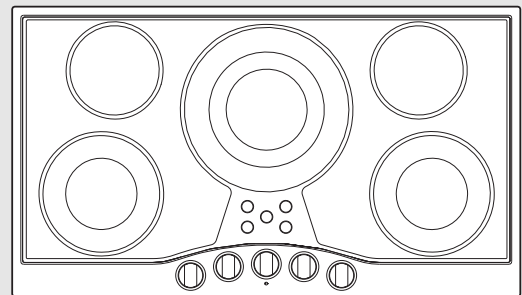
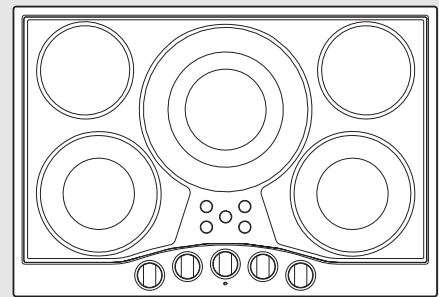


Installation GUIDE



3 Series Built-In Electric Cooktop

*RVEC330
RVEC336
RVEC345*

Table of Contents

Warnings & Important Safety Instructions	3
Dimensions	5
Specifications	6
Cutout Dimensions	7
Clearance Dimensions (Proximity to Cabinets)	8
Clearance Dimensions (Wood/Composite Overlay)	9
Electrical Requirements	10
General Information	11
Installation	12
Final Preparation	13
Performance Checklist	13
Service & Registration	14

IMPORTANT – Please Read and Follow

- Before beginning, please read these instructions completely and carefully.

Your safety and the safety of others is very important.

We have provided many important safety messages in this manual and on your appliance. Always read and obey all safety messages.



This is the safety alert symbol. This symbol alerts you to hazards that can kill or hurt you and others.

All safety messages will be preceded by the safety alert symbol and the word “DANGER,” “WARNING” or “CAUTION.” These words mean:

DANGER

Hazards or unsafe practices which WILL result in severe personal injury or death

WARNING

Hazards or unsafe practices which COULD result in severe personal injury or death

CAUTION

Hazards or unsafe practices which COULD result in minor personal injury or property damage.

All safety messages will identify the hazard, tell you how to reduce the chance of injury, and tell you what can happen if the instructions are not followed.

- DO NOT remove permanently affixed labels, warnings, or plates from the product. This may void the warranty.
- Please observe all local and national codes and ordinances.
- Please ensure that this product is properly grounded.
- The installer must leave these instructions with the consumer who should retain for local inspector’s use and for future reference.
- Installation must conform with local codes or, in the absence of codes, the National Electrical Code, ANSI/NFPA-70 – latest edition.

In Canada: Electrical installation must be in accordance with the current CSA C22.1 Canadian Electrical Codes Part 1 and/or local codes.

IMPORTANT – Please Read and Follow

WARNING



BURN HAZARD

The use of cabinets for storage above the appliance may result in potential burn hazard. Combustible items may ignite, metallic items may become hot and cause burns. If a cabinet storage is to be provided the risk can be reduced by installing a range hood that projects horizontally a minimum of 5" (12.7 cm) beyond the bottom of the cabinets.

WARNING



ELECTRICAL GROUNDING INSTRUCTIONS

This cooktop must be electrically grounded in accordance with local codes or, in the absence of codes, with the National Electrical Code, ANSI/NFPA-70 – latest edition. **FOR PERSONAL SAFETY, THIS APPLIANCE MUST BE PROPERLY GROUNDED.**

CAUTION



Be sure the electric power is off from the breaker box to the junction box until the cooktop is installed and ready to operate. The junction box should be connected to a suitable ground.

WARNING



The electrical power to the unit must be shut off while line connections are being made. Failure to do so could result in serious injury or death.

WARNING

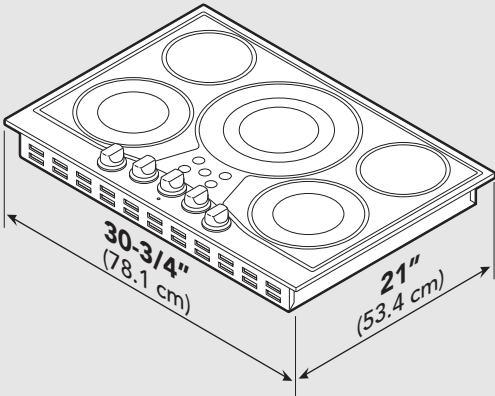


FIRE AND ELECTRICAL SHOCK HAZARD

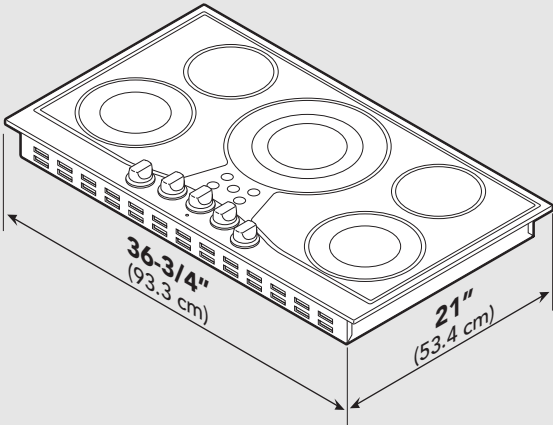
DO NOT use an extension cord with this appliance. Such use may result in fire, electrical shock, or other personal injury.

Dimensions

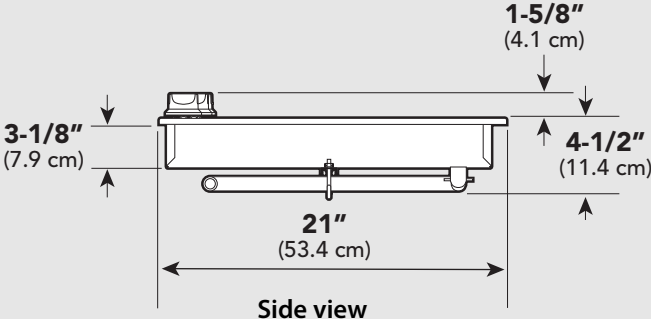
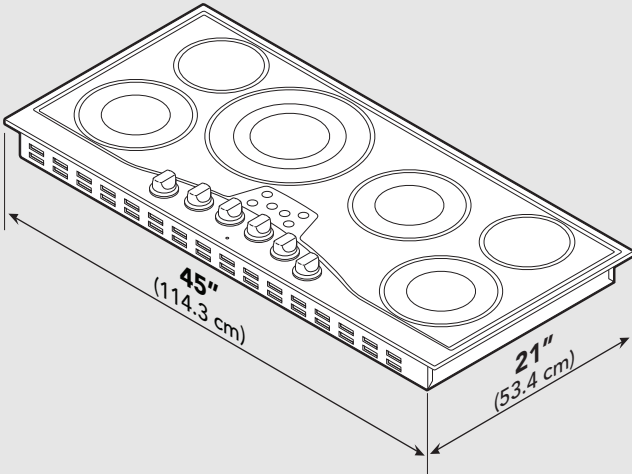
30" Electric Cooktop



36" Electric Cooktop



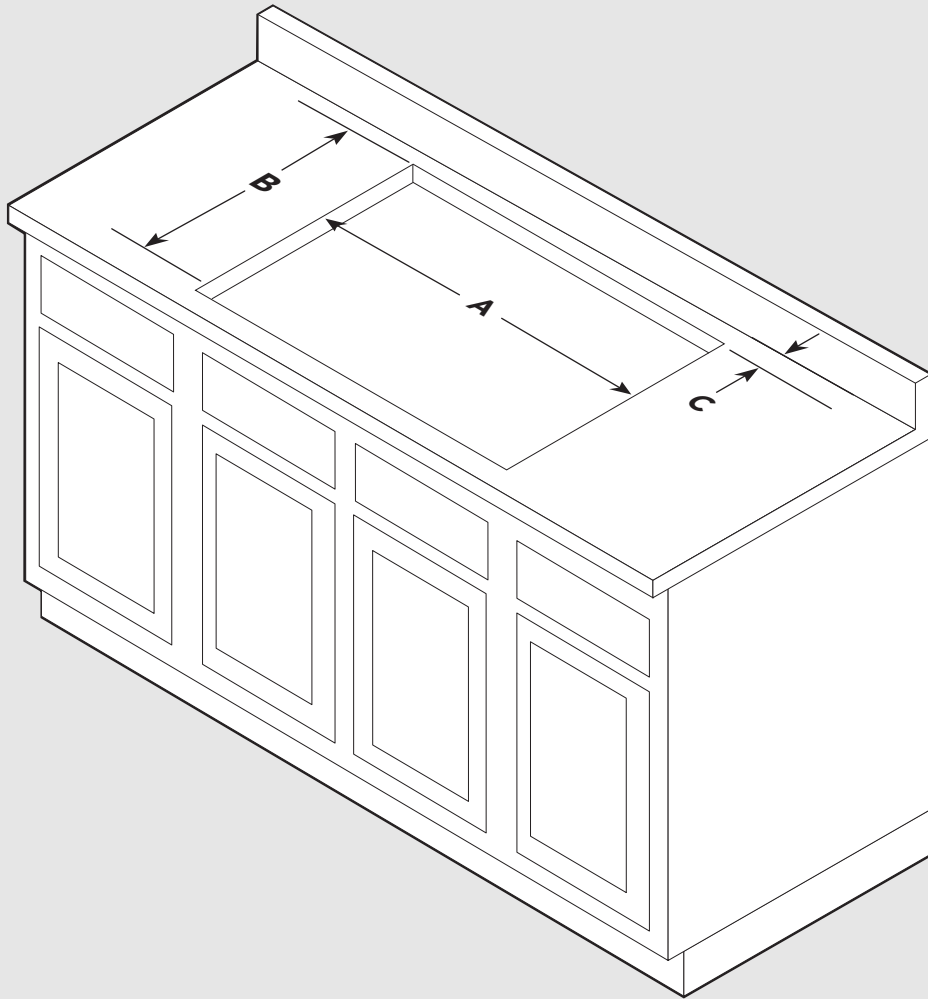
45" Electric Cooktop



Specifications

Electric Cooktop				
Description	30"W	36"W	45"W	
Overall width	30-3/4" (78.1 cm)	36-3/4" (93.3 cm)	45" (114.3 cm)	
Overall height from bottom	4-1/2" (11.4 cm)			
Overall depth from rear	21" (53.3 cm)			
Cutout width				
Minimum	28-7/8" (73.3 cm)	34-7/8" (88.5 cm)	43-1/8" (109.5 cm)	
Maximum	29-7/8" (75.9 cm)	35-7/8" (91.1 cm)	44-1/8" (112.1 cm)	
Cutout height with conduit	4-1/8" (10.5 cm)			
Cutout depth				
Minimum	20" (50.8 cm)			
Maximum	20-1/4" (51.4 cm)			
Electrical requirements	240/208v 50/60hz			
Maximum amp usage	240V—40.0 amps 208V—34.6 amps		240V—48.4 amps 208V—34.6 amps	
Surface element rating	240V	208V	240V	208V
Right front	2000/1000 watts	2000/1000 watts	2000/1000 watts	2000/1000 watts
Right rear	1200 watts	1200 watts	1200 watts	1200 watts
Center triple	1100/1000/1100 watts	1100/1000/1100 watts	1100/1000/1100 watts	1100/1000/1100 watts
Center double	N/A	N/A	2000/1000 watts	2000/1000 watts
Left front	2000/1000 watts	2000/1000 watts	2000/1000 watts	2000/1000 watts
Left rear	1200 watts	1200 watts	1200 watts	1200 watts
Approximate shipping weight	52 lb. (23.6 kg)	60 lb. (27.0 kg)	71 lb. (32.2 kg)	

Cutout Dimensions



	30" W.	36" W.	45" W.
A	28-7/8" (73.3 cm) min. to 29-7/8" (75.9 cm) max.	34-7/8" (88.5 cm) min. to 35-7/8" (91.1 cm) max.	43-1/8" (109.5 cm) min. to 44-1/8" (112.1 cm) max.
B	20" (50.8 cm) min. to 20-1/4" (51.4 cm) max.		
C	1" (2.5 cm) min.		

Note: Based on 24" deep cabinet with 3/4" backsplash.

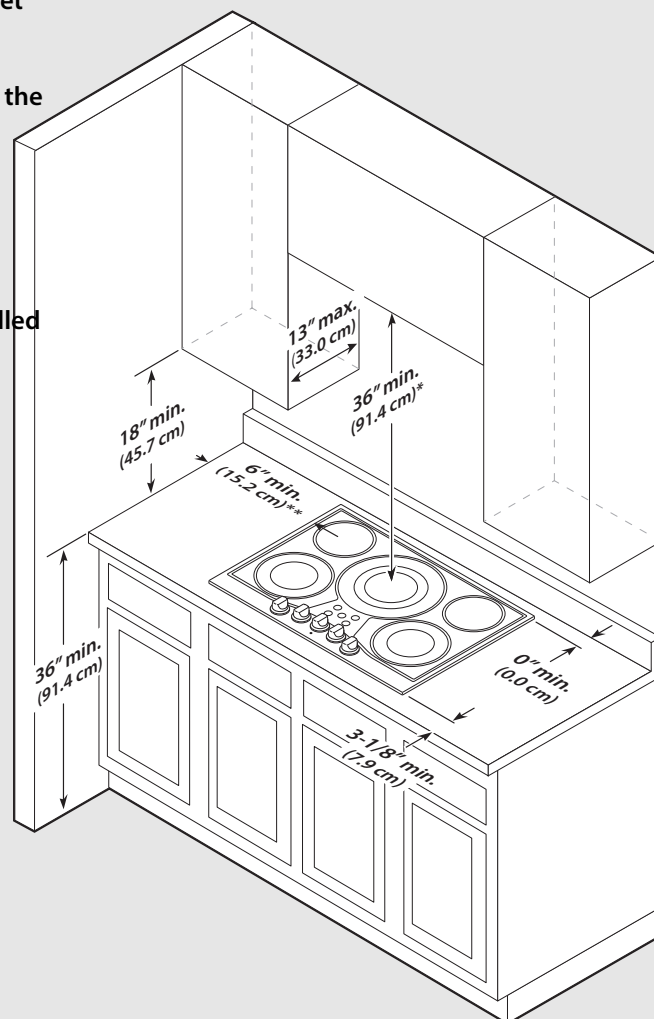
Clearance Dimensions (Proximity to Cabinets)

Proximity to Side Cabinet Installation

- The cooktop may be installed directly to existing base cabinets.
- The cooktop CANNOT be installed directly adjacent to sidewalls, tall cabinets, tall appliances, or other side vertical surfaces above 36" (91.4 cm) high. There must be a minimum of 6" (15.2 cm) side clearance from the cooktop to such combustible surfaces above the 36" (91.4 cm) counter height.
- Within the 6" (15.2 cm) side clearance to combustible vertical surfaces above 36" (91.4 cm), the maximum wall cabinet depth must be 13" (33.0 cm) and wall cabinets within this 6" (15.2 cm) side clearance must be 18" (45.7 cm) above the 36" (91.4 cm) high countertop.
- Wall cabinet above the cooktop must be a minimum of 36" (91.4 cm) above the countertop for a full width of the cooktop. The minimum height requirement does NOT apply if a rangehood is installed over the cooking surface.

Minimum Clearances from Adjacent Combustible Construction

- Above countertop 36" (91.4 cm) minimum
- Side 6" (15.2 cm)
- Rear 0" (0.0 cm)
- Within 6" side clearance. Wall cabinets no deeper than 13" (33.0 cm)
- Must be minimum 18" (45.7 cm) above countertop
- Wall cabinets directly above the product must be minimum 36" (91.4 cm) above the countertop

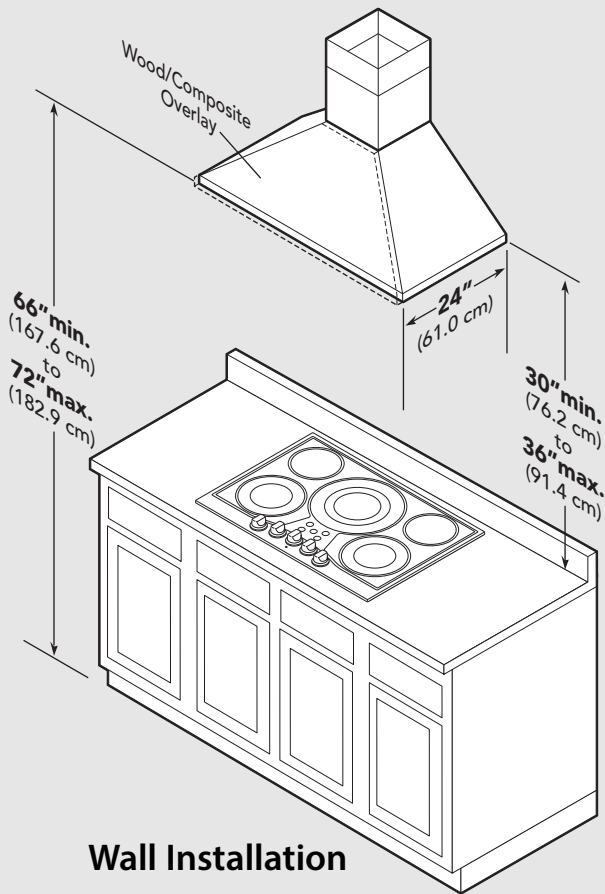


Dimensions shown are for use with combustible surfaces unless otherwise stated.

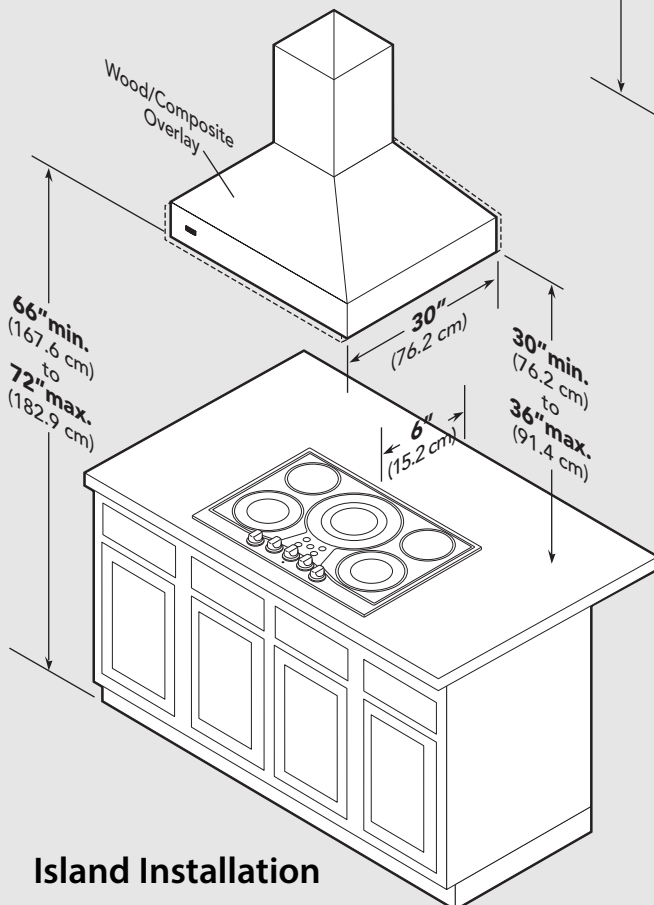
**Note: 36" minimum unless using a hood.*

Clearance Dimensions (Wood/Composite Overlay)

The bottom of a standard hood should be 30" (76.2 cm) min. to 36" (91.4 cm) max. above the countertop. This would typically result in the bottom of the hood being 66" (167.6 cm) to 72" (182.9 cm) above the floor. Refer to the rangehood installation instructions for additional information. These dimensions provide for safe and efficient operation of the hood.



Wall Installation



Island Installation

Electrical Requirements

Electrical Requirements

Check your local codes regarding this unit. This cooktop is supplied with a 3-wire, A.C. 208Y/120 volt or 120/240 volt, 60 HZ electrical system. A white (neutral) is not needed for this unit. See next section for grounding instructions. It should be fused separately.

Refer to the specifications chart and the identification label on the bottom of the burner box for kilowatt rating and recommended amperage. House wiring and fusing must comply with local codes. If no local codes are applicable, wire in accordance with the National Electrical Code, ANSI/NFPA-70 – latest edition.

Electrical Connection

WARNING



The electrical power to the unit must be shut off while line connections are being made. Failure to do so could result in serious injury or death.

When making the wire connections, use the entire length of the conduit provided (3 feet). The conduit must not be cut. Connect the red and black leads from the unit conduit to the corresponding leads in the junction box. The bare ground wire in the conduit is connected to the unit frame. When connecting to a 3-conductor branch circuit, if local codes permit, connect the bare ground connector lead of the unit to the branch circuit neutral (gray or white in color).

WARNING



FIRE AND ELECTRICAL SHOCK HAZARD



DO NOT use an extension cord with this appliance. Such use may result in fire, electrical shock, or other personal injury.

General Information

READ AND FOLLOW ALL WARNING AND CAUTION INFORMATION WHEN INSTALLING THIS APPLIANCE.

- All openings in the wall behind the appliance in the floor under the appliance shall be sealed
- Keep appliance area clear and free from combustible materials, gasoline and other flammable vapors.
- Disconnect the electrical supply prior to servicing or cleaning.
- When removing the cooktop for service and/or cleaning, disconnect AC power supply.
- Electrical requirements are listed in the product specifications under the "*Electrical Requirements*" section.

WARNING



ELECTRICAL GROUNDING INSTRUCTIONS

This cooktop must be electrically grounded in accordance with local codes or, in the absence of codes, with the National Electrical Code, ANSI/NFPA-70 – latest edition. **FOR PERSONAL SAFETY, THIS APPLIANCE MUST BE PROPERLY GROUNDED.**

WARNING

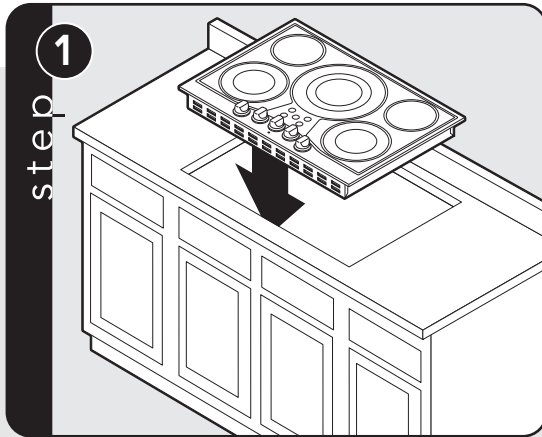
This appliance shall not be used for space heating. This information is based on safety considerations.

CAUTION

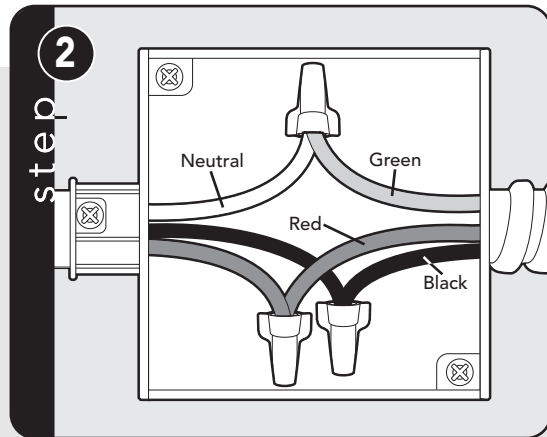


Be sure the electric power is off from the breaker box to the junction box until the cooktop is installed and ready to operate. The junction box should be connected to a suitable ground. **DO NOT** use aGFI circuit.

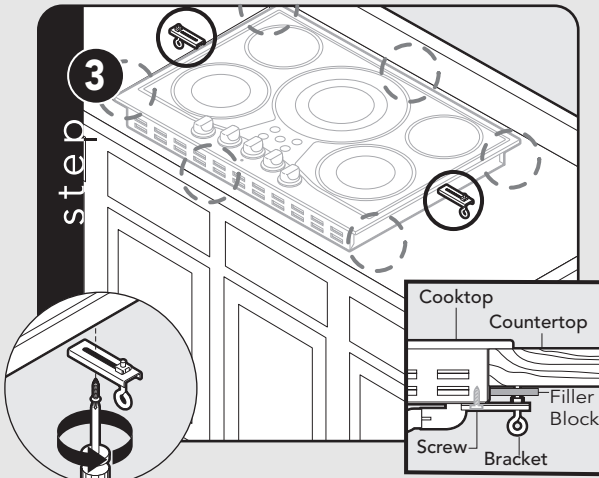
Installation



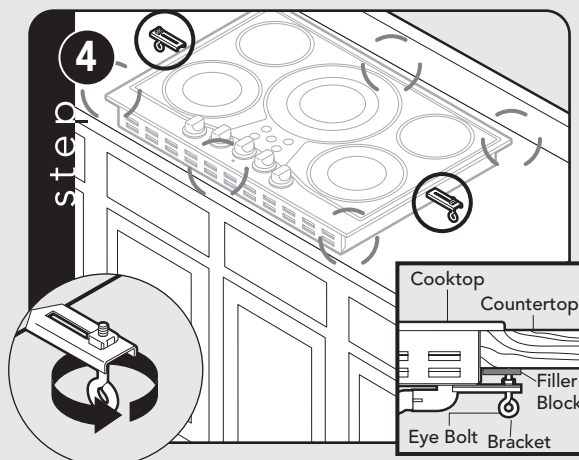
Lower cooktop into cutout.



Connect the red and black leads from the unit conduit to the corresponding leads in the junction box.



Screw hold down brackets to the burner box using the #10 x 1/2" sheet metal screws. There are 6 bracket assemblies included. There must be a minimum of 2 brackets installed with the possibility of up to 6 in locations noted depending on installation



Screw sheet metal screws into brackets and tighten firmly against bottom of countertop. Note: It is recommended to use a filler block between the bolt and the underside of the countertop to prevent any damage to the countertop. Failure to do so may result in cracking or splitting of the countertop.

Final Preparation

- Some stainless steel parts may have a plastic protective wrap which must be peeled off.
- All stainless steel body parts should be wiped with hot, soapy water and with a liquid cleaner designed for this material. If buildup occurs, **DO NOT** use steel wool, abrasive cloths, cleaners, or powders!

If it is necessary to scrape stainless steel to remove encrusted materials, soak with hot, wet cloths to loosen the material, then use a wood or nylon scraper. **DO NOT** use a metal knife, spatula, or any other metal tool to scrape stainless steel! Scratches are almost impossible to remove.

Performance Checklist

A qualified installer should carry out the following checks:

- Check top surface elements
 1. Check top surface elements – glow red when turned on.
 2. Check hot surface indicator lights – glow red when corresponding element is hot.

Any adjustments necessary that are a result of the installer not following instructions will be the responsibility of the installer, dealer of the end user of this product.

Service & Registration

Only authorized replacement parts may be used in performing service on the appliance.
All servicing should be referred to a qualified technician.

Contact Viking Range at 1-888-845-4641 for the nearest service parts distributor in your area or write to:

VIKING RANGE, LLC
PREFERRED SERVICE
111 Front Street
Greenwood, Mississippi 38930 USA

The serial number and model number for your appliance can be found by looking under the cooktop.

Record the following information indicated below. You will need it if service is ever required.

Model number _____

Serial number _____

Date of purchase _____

Date installed _____

Dealer's name _____

Address _____

**These installation instructions should remain with the unit
for future reference.**

Viking Range, LLC
111 Front Street
Greenwood, Mississippi 38930 USA
(662) 455-1200

For product information, call 1-888-845-4641
or our website at vikingrange.com

