

INSTALLATION INSTRUCTIONS

500 Series, TRIP LEVER type, ADS or PVC Pipe

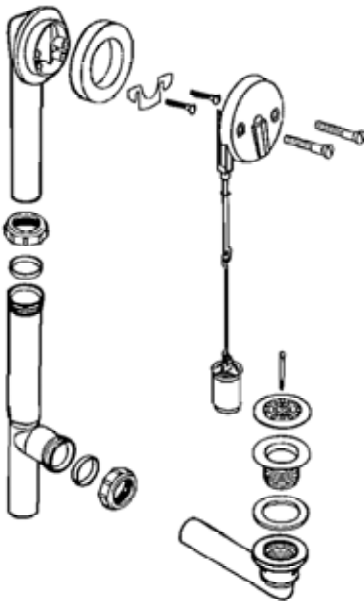
600 Series, TRIP LEVER type, ADS or PVC Pipe

501/502 Series, TRIP LEVER 17 & 20 Gauge Brass Pipe

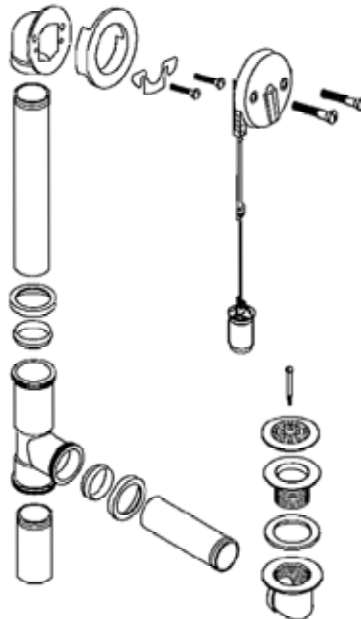
1. See reverse side for Trip Lever variations. Apply plumber's putty around bottom side of strainer body flange. Insert strainer body through drain hole in bottom of tub. Place drain ell gasket on drain ell on, outside of tub. Thread Strainer body into drain ell. Use strainer body tool or pliers handles to tighten. Remove excess putty.
2. Slide slip nut, then plastic or brass washer (ferrule) onto drain ell. Make sure thick side of washer is toward nut. Slide tee onto drain tube and partially tighten nut.
3. Place overflow washer on overflow ell. Slide slip nut then plastic or brass washer (ferrule) on overflow drain ell. Insert into tee. Adjust so that overflow ell is snug against overflow hole in tub and long portion of tee is vertical with floor. Hand tighten both nuts as much as possible, then another 1/8 turn with wrench. NOTE: If the brass ferrules are used joints can be soldered. DO NOT solder if plastic washers are used.
4. Start the two retainer plate screws in the bottom two holes in the overflow ell. Hang the retainer plate over the screw heads and tighten the screws until the retainer plate makes contact with the interior tub wall.
5. Install overflow plate and drop cylinder assembly, (see variations on reverse side) with screws provided.
6. Adjust drop cylinder assembly to insure no leaks to drain when enclosed position.

****CAUTION:** Avoid contact of plumber putty with
 ABS plastic parts

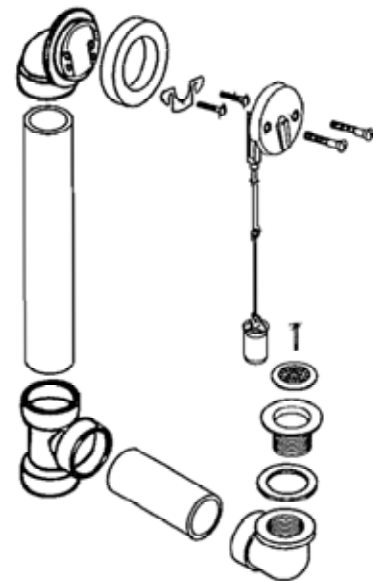
Trip Lever, 500 Series



Trip Lever, 501/502 Series



Trip Lever, 600 Series



Trip Lever Options

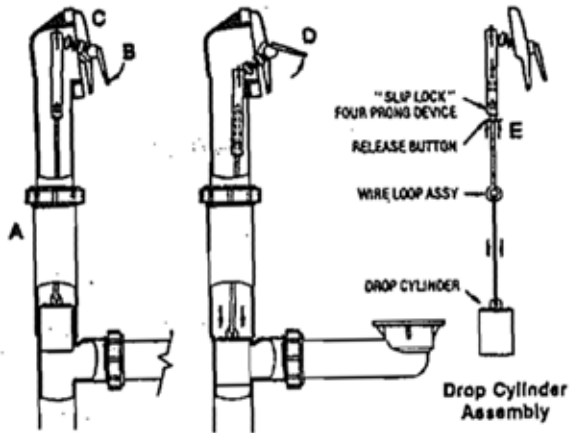
SLIP LOCK
 QUICK ADJUST
 TRIP LEVER
 POP-UP

Suffix SL: (Patent #5394572)
 Suffix TQ (Patent #4352213)
 Suffix TL, (Patent #4352213)
 Suffix PO

SLIP LOCK

SLIP LOCK Installation

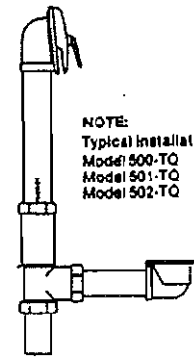
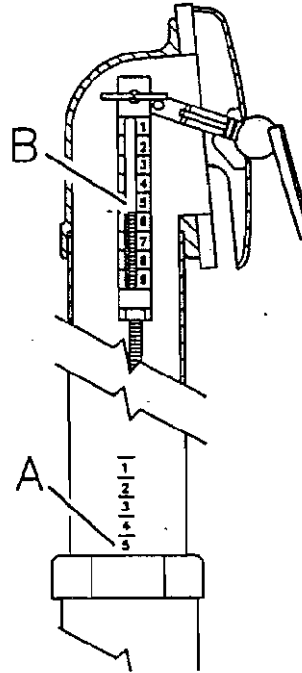
- A. Install bath waste assembly in normal sequence.
- B. Insert drop cylinder assembly down overflow with trip lever in down (open) position.
- C. Screw overflow plate into overflow drain.
- D. Push trip lever firmly to up (closed) position to set drop cylinder.
- E. To readjust or lengthen drop cylinder assembly, slide release button up to SLIP LOCK four prong device and push hard while pulling wire loop assembly in opposite direction.



QUICK ADJUST

QUICK ADJUST-Installation

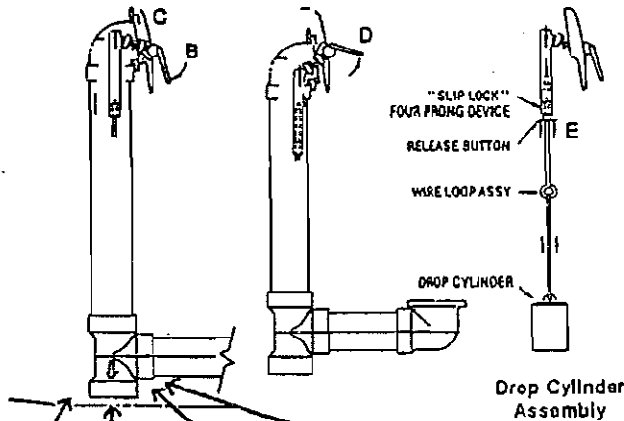
- A. Establish rough-in length at overflow ell scale.
- B. Adjust threaded rod end on the linkage clevis until the number matches the number on the overflow ell scale.



NOTE:
 Typical installation for
 Model 500-TQ (ABS or PVC)
 Model 501-TQ (17 Ga Brass)
 Model 502-TQ (20 Ga Brass)

MODEL 600 - SLIP LOCK INSTRUCTIONS

- A. Install bath waste assembly in normal sequence.
- B. Insert drop cylinder assembly down overflow with trip lever in down (open) position.
- C. Screw overflow plate into overflow drain.
- D. Push trip lever firmly to up (closed) position to set drop cylinder.
- E. To readjust or lengthen drop cylinder assembly, slide release button up to SLIP LOCK four prong device and push hard while pulling wire loop assembly in opposite direction.



IMPORTANT WARNINGS

- * ARROW ON TEE MUST BE IN DOWN DIRECTION
- * DO NOT ALLOW SOLVENT CEMENT TO ENTER TEE CAVITY