

Model 902

Patented

Snap-on
overflow plate.
No screws.

No testing membrane.



ADA

PRESFLO® (PF)
Foot Actuated (FA) only

See price list for complete item numbers and available options.

When ordering, please specify complete item number and any applicable option codes.



For More Information Contact:
WATCO Manufacturing Company
 1220 South Powell Road
 Independence, MO 64057-2724
 Ph. 816-796-3900 • FAX 816-796-0875
 www.watcomfg.com

Schedule 40

Innovator® 902 Half Kit

Same as the 901 Half Kit but without the testing features

Sturdy 1.5" Schedule 40 PVC or ABS Solvent Weld Assembly

SPECIFICATIONS

FEATURES:

- Eliminates all screws
- Eliminates leaks due to loose overflow attachment
- Eliminates dual inventory of one- and two-hole overflow plates

PATENTS (Innovator®):

- See <http://watcomfg.com/Watco/patents/> for details

THREADS (Strainer Body and Drain Elbow):

- 1½" – 11½ NPSM (Coarse Thread)
- 1.865" Major Diameter (outside thread diameter)
- 11.5 threads per inch

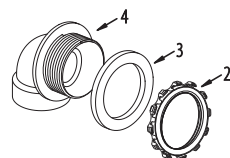
PIPING: PVC ABS

ROUGH-IN (RI's) and STOPPER/FACEPLATE (SF's)

STOPPER/FACEPLATE'S

(example: 900-PPSF-0-CP)

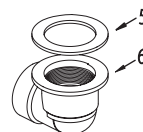
Overflow plate and stopper assembly



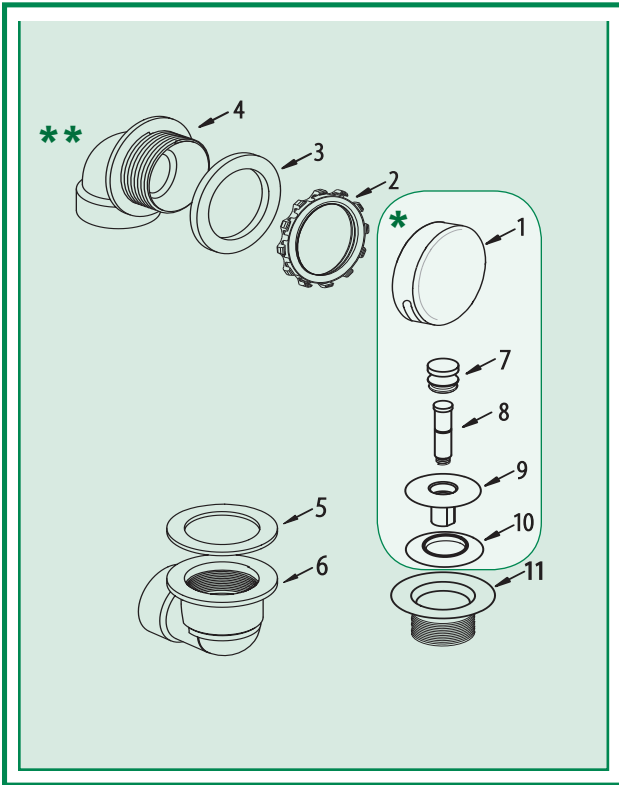
ROUGH-IN'S

(example: 902-PPRI-PVC-CP)

All parts, including strainer body, except the overflow plate and stopper assembly



902 Series Parts List (901 less testing)



Item	Part #	Description
1.	01004__*	Overflow Plate for Innovator®
2.	11121	Retainer Nut for Innovator®
3.	10675	Overflow Ell Washer, Foam
4.	11020.....	Innovator® Overflow Ell, Schedule 40, ABS
	14020	Innovator® Overflow Ell, Schedule 40, PVC
		NO TESTING MEMBRANE ON OVERFLOW ELBOW
5.	10696	Drain Ell Washer, 1.5" gray
6.	11008.....	Drain Ell, Schedule 40, ABS
	14008	Drain Ell, Schedule 40, PVC
7.	01010__*	PUSH PULL® Knob, Brass
8.	11510	3/8" Pin (11532) and Friction Ring (11505)
9.	01013__*	Stopper, Brass
10.	11507.....	Seal, 1-1/16" dia.
11.	01016__*	Strainer Body, Brass, 1.865" - 11.5 - 1.25"
		NO TEST PLUG INCLUDED
		<i>*Please indicate finish desired.</i>

* SF: (example: 900-PPSF) Parts #1 and #7 thru #10

** RI: (example: 902-PPRI) Parts #2 thru #6 and #11

OPTIONAL TUB CLOSURES FOR 902-SERIES BATH WASTES (PUSH PULL® ALSO SHOWN ABOVE)

900/01 PUSH PULL® Coarse Thread	LIFT & TURN Coarse Thread	PRESFLO® Coarse Thread	FOOT ACTUATED Coarse Thread
<ol style="list-style-type: none"> 01010CP 01010__* 11510 01013CP 01013__* 11507 01016CP 01016__* 	<ol style="list-style-type: none"> 01010CP 01010__* 11079 11088 11290CP 01013__* 11507 11492CP 01016__* 	<ol style="list-style-type: none"> 11145CP 11145__* 11132 11060CP 11060__* 96039: Suction Cup for removing stopper 	<ol style="list-style-type: none"> 38412CP 38412__* 11492CP 01016__*
U.S. Pat. No. 4,720,877	U.S. Pat. No. 5,758,368	U.S. Pat. No. 4,457,030	

**If finish other than Chrome is desired, please use this part number and indicate desired finish.*

Finishes Available in the 902 Series:

Tube Closures:	PUSH PULL®	LIFT & TURN	PRESFLO®	FOOT ACT.
CP - Chrome Plated	●	●	●	●
AB - Antique Brass				
AP - Aged Pewter	●	●	●	
BB - Brushed Bronze	●	●	●	
BN - Brushed Nickel	●	●	●	●
BO - Bone	●	●		
BS - Biscuit	●	●		
BZ - Oil-Rubbed Bronze	●	●	●	●
CB - Chrome Brushed	●	●	●	
NP - Nickel Polished	●	●	●	●
PB - Polished Brass	●	●	●	●
PN - Pearl Nickel	●	●	●	
WH - White	●	●		
WI - Wrought Iron	●	●	●	