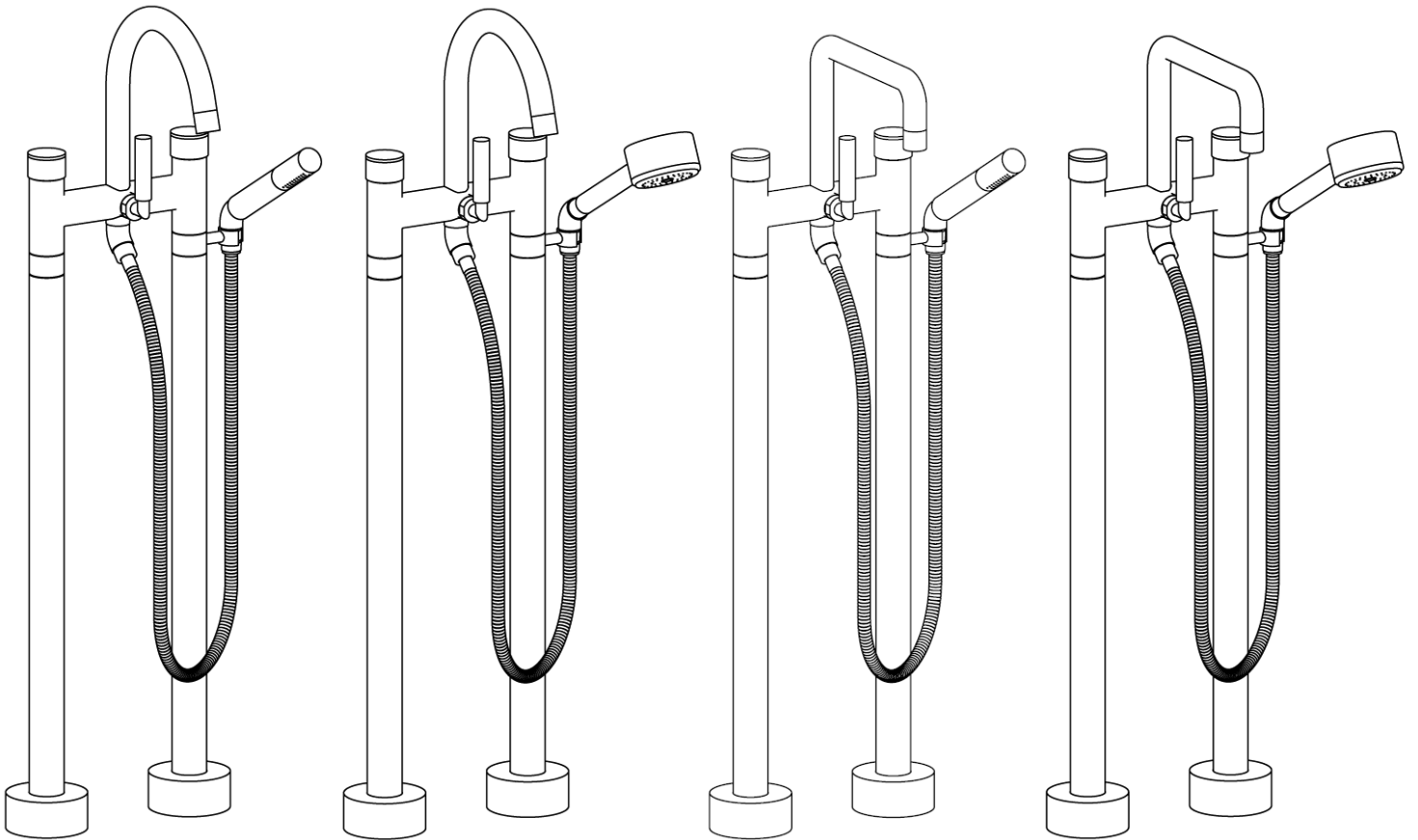


WATERMARK

BROOKLYN, NEW YORK

INSTALLATION INSTRUCTION



Floor Standing Bath Set with Hand Shower

22-8.3/22-8.3V/22-8.26.3/22-8.26.3V



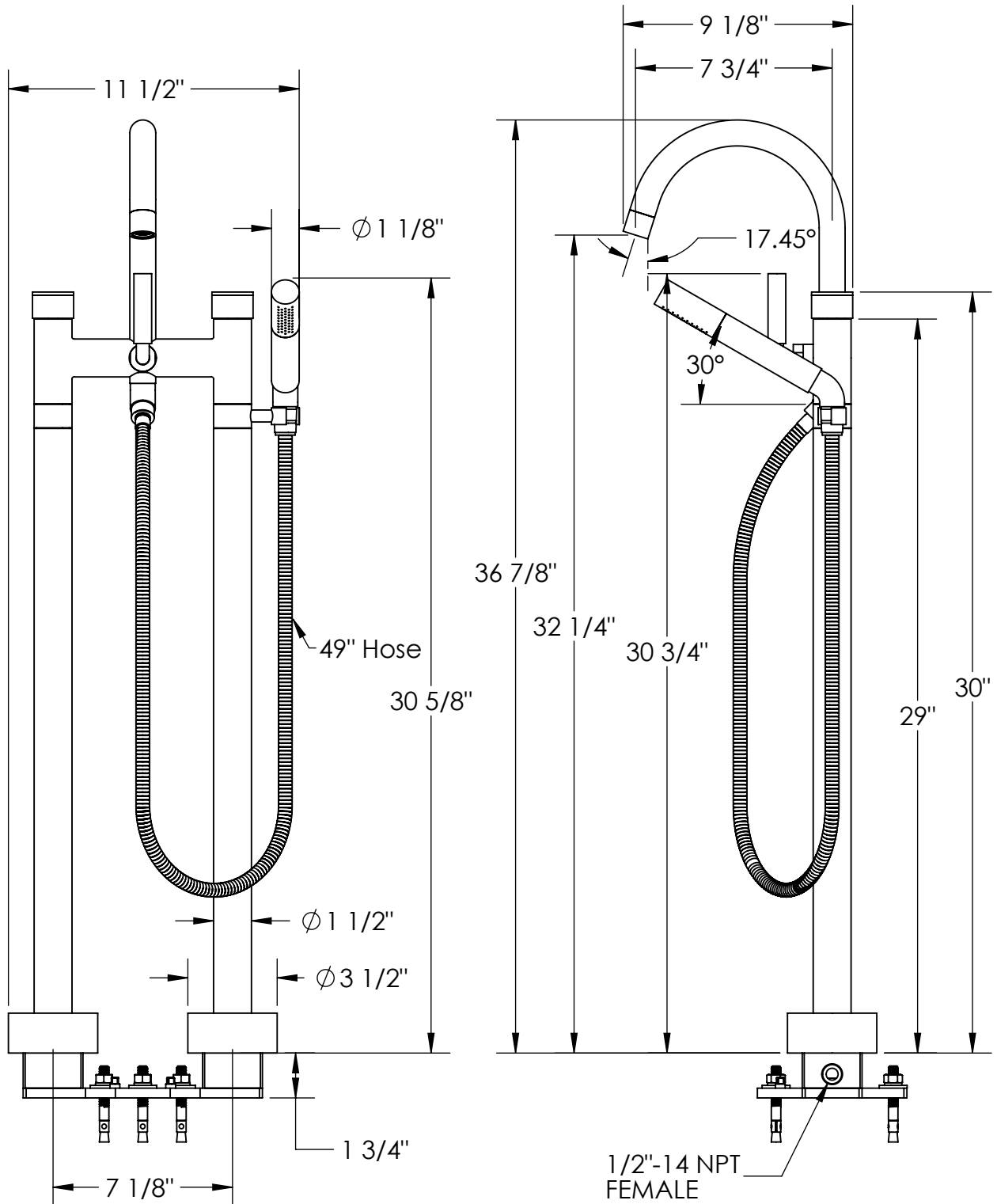
ASME A1 12.18.1

NSF61

CAS B125.1

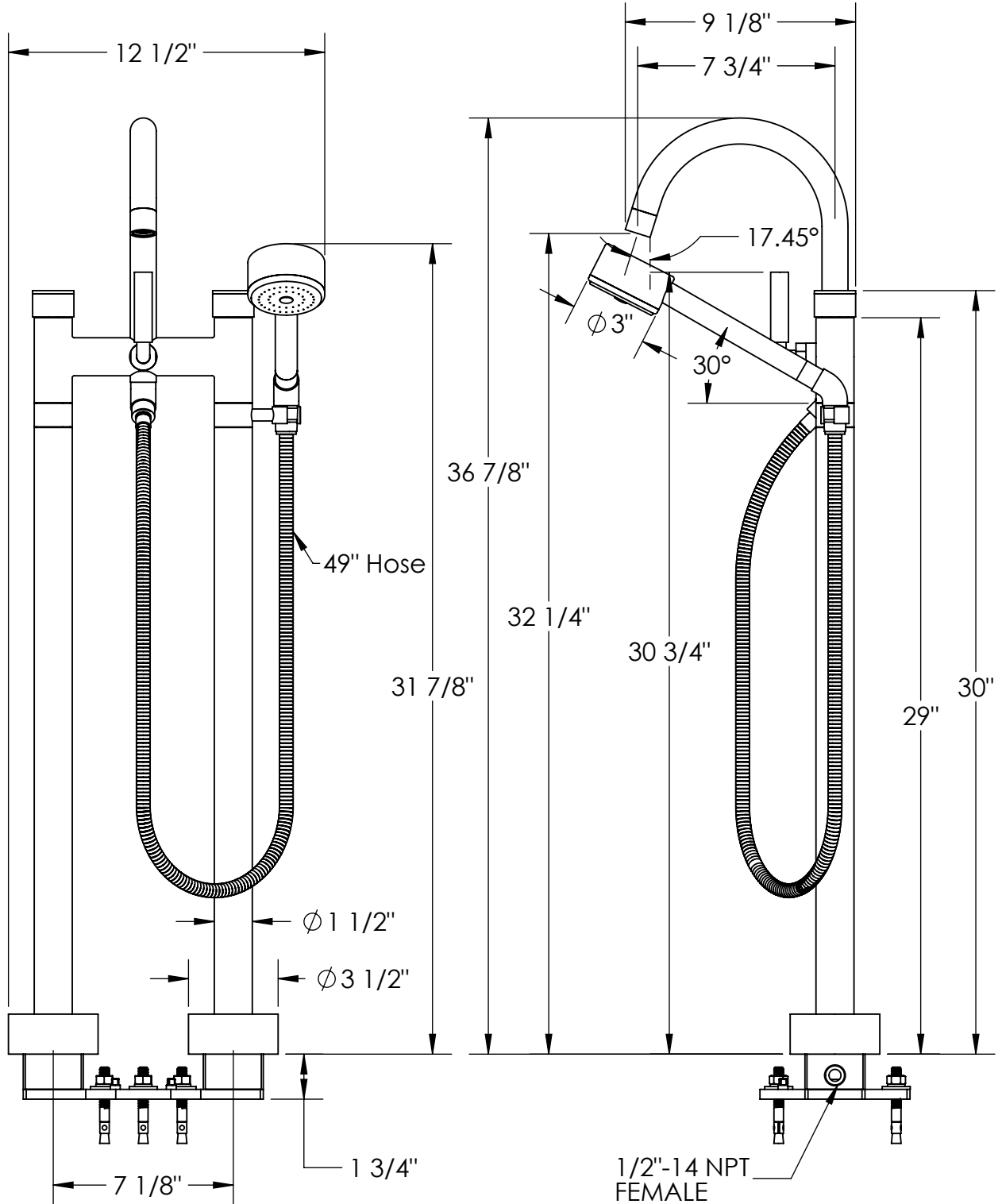
ROUGH-IN DIMENSIONS

22-8.3



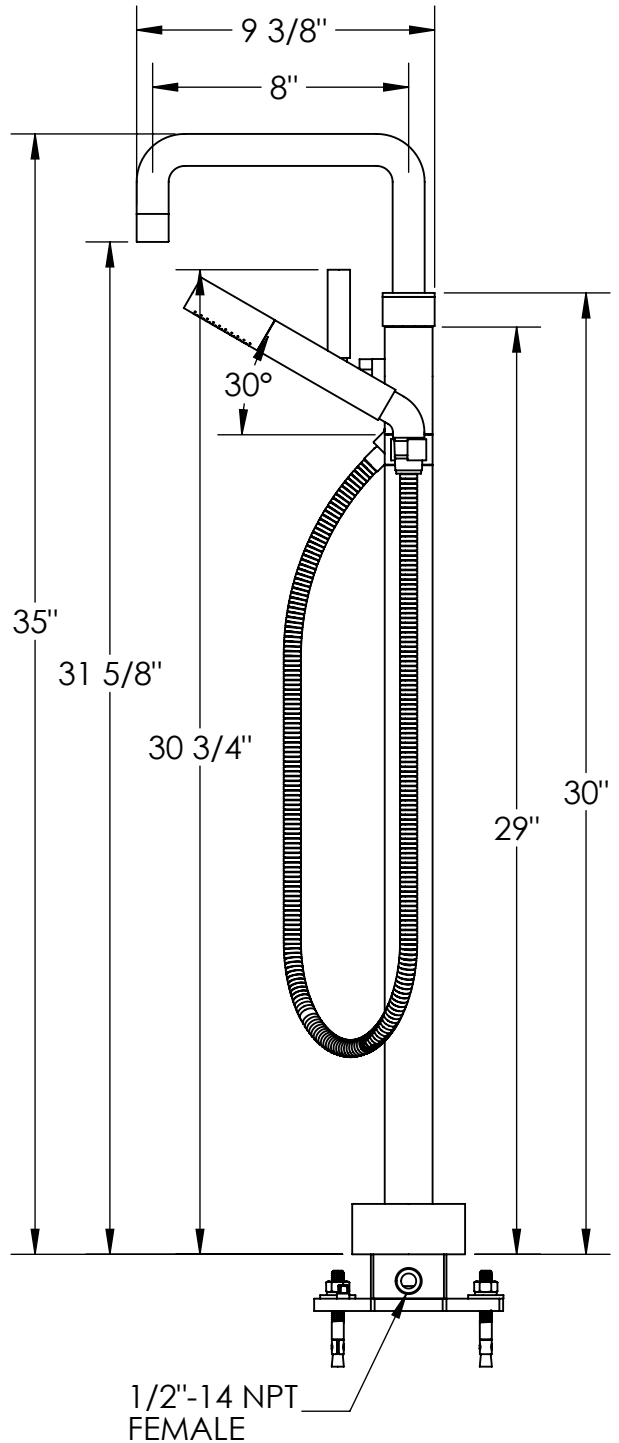
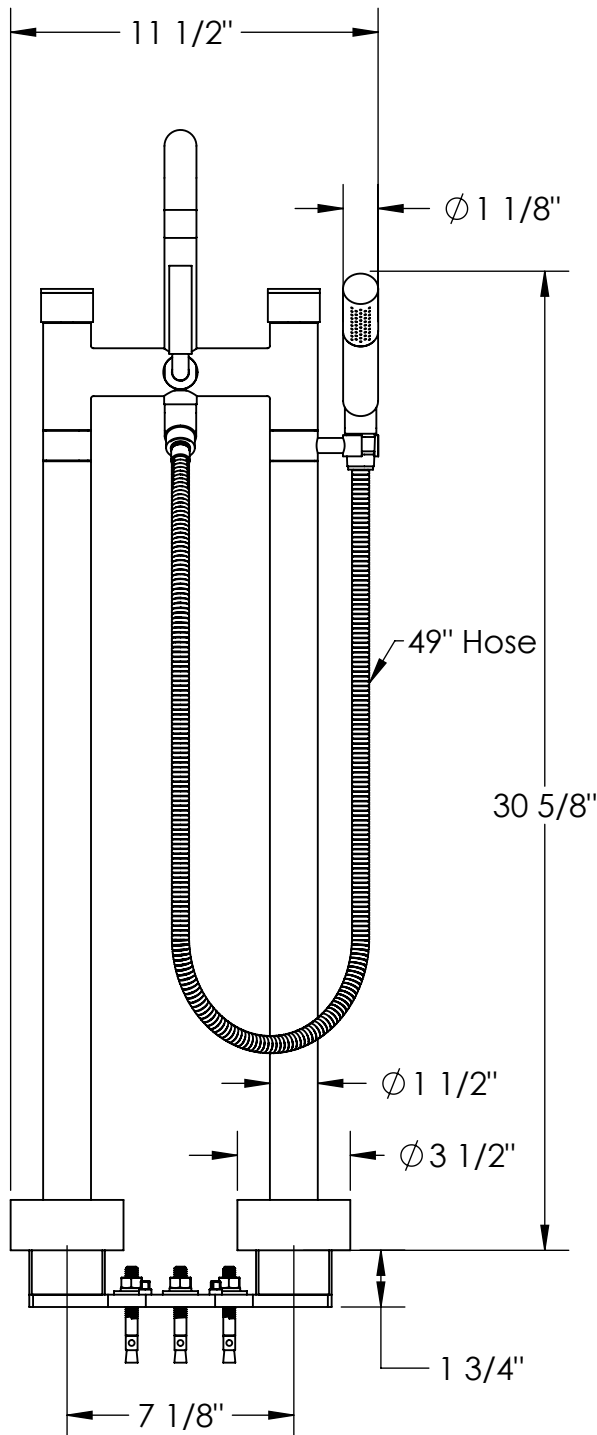
ROUGH-IN DIMENSIONS

22-8.3V



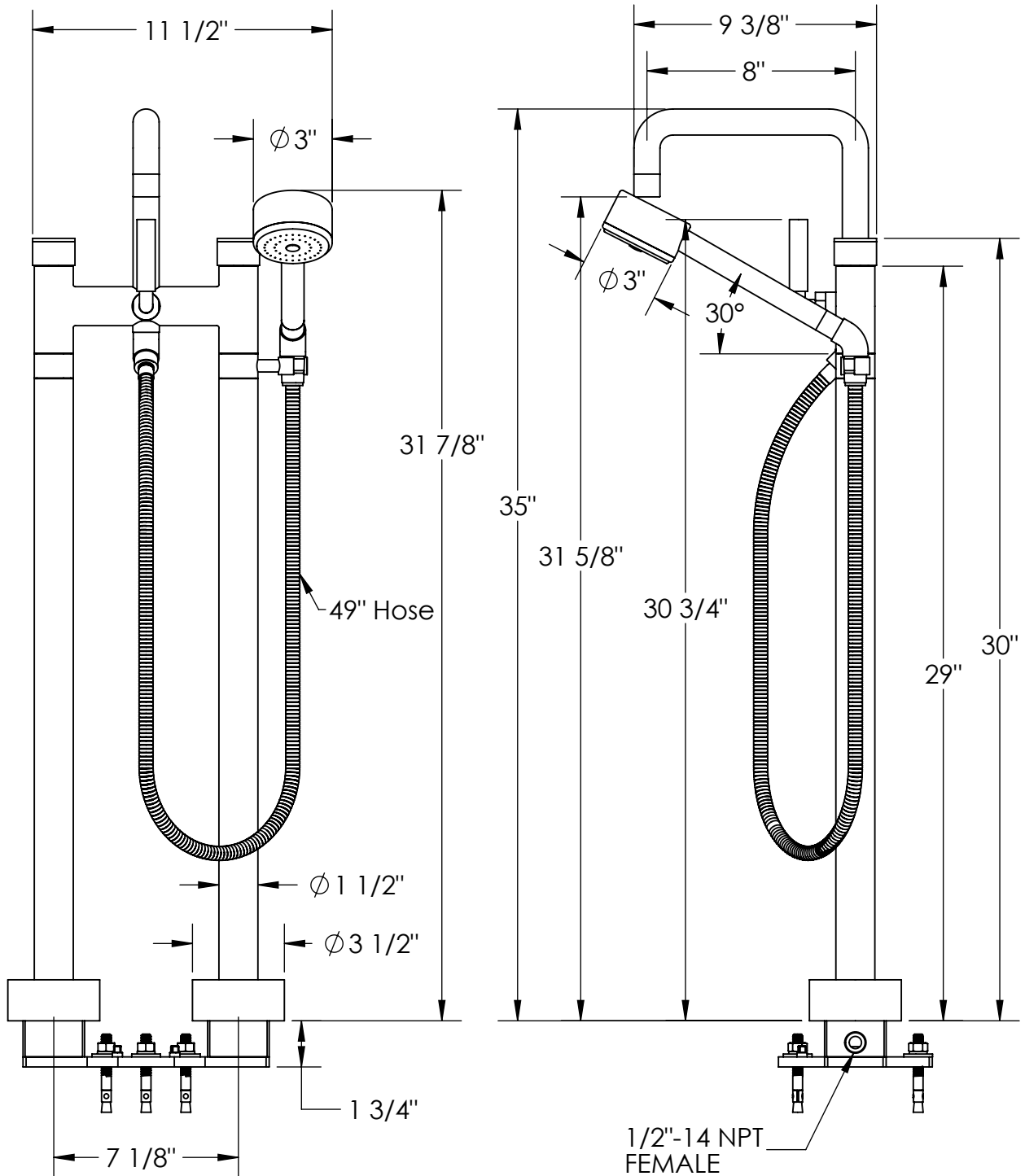
ROUGH-IN DIMENSIONS

22-8.26.3

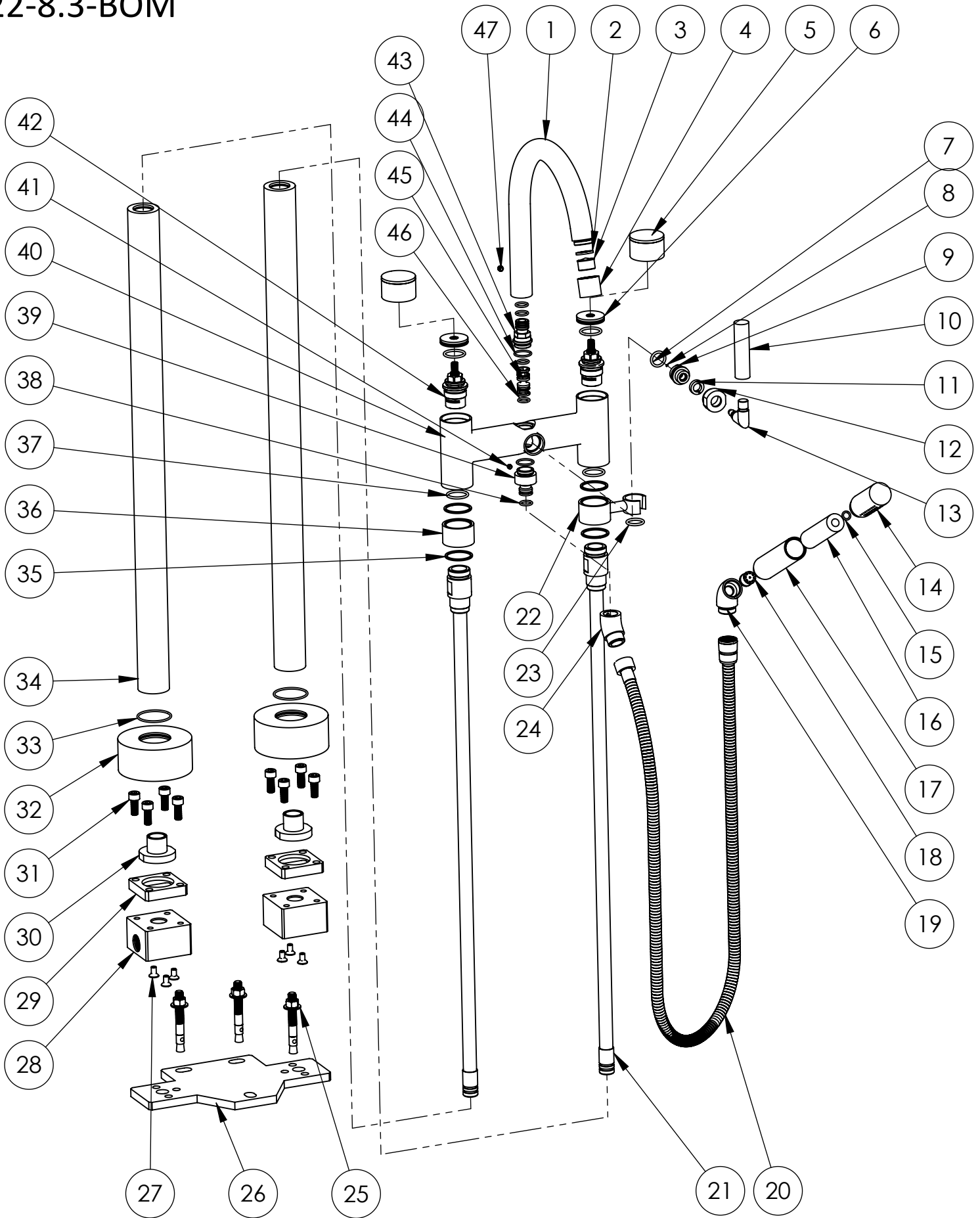


ROUGH-IN DIMENSIONS

22-8.26.3V



22-8.3-BOM



ITEM NO.	PART NUMBER	QTY.
1	Spout	1
2	Aerator Gasket	1
3	Aerator Gut	1
4	Aerator Shell	1
5	Handles	2
6	Cartridge Cap	2
7	O-Ring (15MM OD, 2.6MM CS)	1
8	External Retaining Ring	1
9	Diverter Cam	1
10	Diverter Lever	1
11	Plastic Bushing	1
12	Diverter Nut	1
13	Diverter Post	1
14	Hand Shower Head	1
15	O-Ring (#011)	1
16	Hand Shower Insulation	1
17	Hand Shower Body	1
18	Backflow Preventer	1
19	Hand Shower Elbow	1
20	49" Hose	1
21	Copper Supply Riser	2
22	Hand Shower Hook	1
23	O-Ring (#115)	1
24	Hand Shower Elbow	1
25	Concrete Nut + Washers + Bolt	3
26	Floor Rough Base	1
27	Hex Flat Head Screw (M6 x 1.0 x 12)	6
28	Floor Rough Post	2
29	Leg Bracket	2
30	Leg Nut	2
31	Socket Head Cap Screw (M8 x 1.25 x 20)	8
32	Escutcheon	2
33	O-Ring (38MM ID, 2MM CS)	2
34	Riser Leg	2
35	Plastic Washer	4
36	Faucet Spacer	1
37	O-Ring (22MM ID, 2.5MM CS)	4
38	O-Ring (12MM ID, 2MM CS)	3
39	Hand Shower Adapter	1
40	Faucet Body	1
41	Hex Set Screw (M5 x 0.8 x 4)	1
42	Cartridge	2
43	Spout Nipple	1
44	O-Ring (18MM ID, 1.8MM CS)	2
45	Diverter Cartridge	1
46	O-Ring (11MM ID, 2MM CS)	2
47	Hex Set Screw (M6 x 1 x 5)	1

INSTALLATION INSTRUCTIONS

ATTENTION

1. The cartridges in the main body have been tested and adjusted by the factory. DO NOT take the cartridges apart.
2. Flush out the water supply pipes to clear out debris before installation to ensure a clean water supply and prevent the cartridges from being jammed.
3. Connect the hot-water supply on the left and the cold-water supply on the right of the rough body (relative to the tub filler spout).

Flow pressure: Min: 7.25 psi Max: 232 psi

Recommended pressure: 14.5 psi to 116 psi

	45 PSI	60 PSI	80 PSI
Flow rate at __ PSI:	9.7 GPM	11.1 GPM	13.0 GPM

TO KEEP THE QUALITY OF THE TUB FILLER PLEASE FOLLOW THESE INSTRUCTIONS

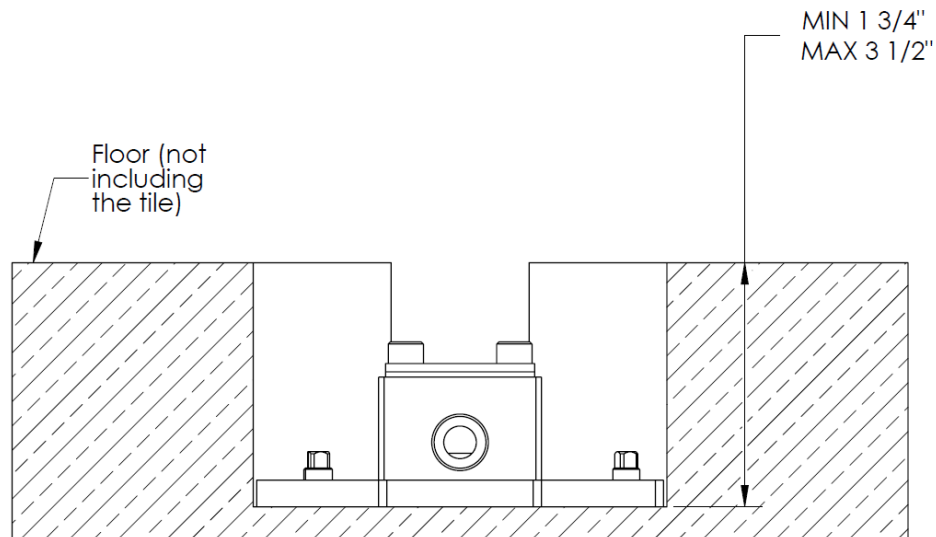
- Rinse the tub filler with water.
- DO NOT use any cleaning agents containing abrasive or coated abrasive materials.
- DO NOT use any cleaning agents containing acids, polish abrasives, or hard cleaners or soaps.

IF TUB FILLER REQUIRES REGULATORY OR HEAVY CLEANING, THE FOLLOWING PROCEDURES ARE RECOMMENDED

1. Clean the tub filler with water.
2. Remove tough surface film and build-up with: SOFT liquid cleaning agents or clear liquid glass cleaners; non-acidic, non-abrasive gentile liquid; fully dissolved powder cleaners mixed according to the manufacturer's directions; or non-abrasive liquid polishers.
3. After cleaning, make sure to fill sufficiently with clear water to completely remove remaining cleaning agents. Then dry with a soft cotton cloth.

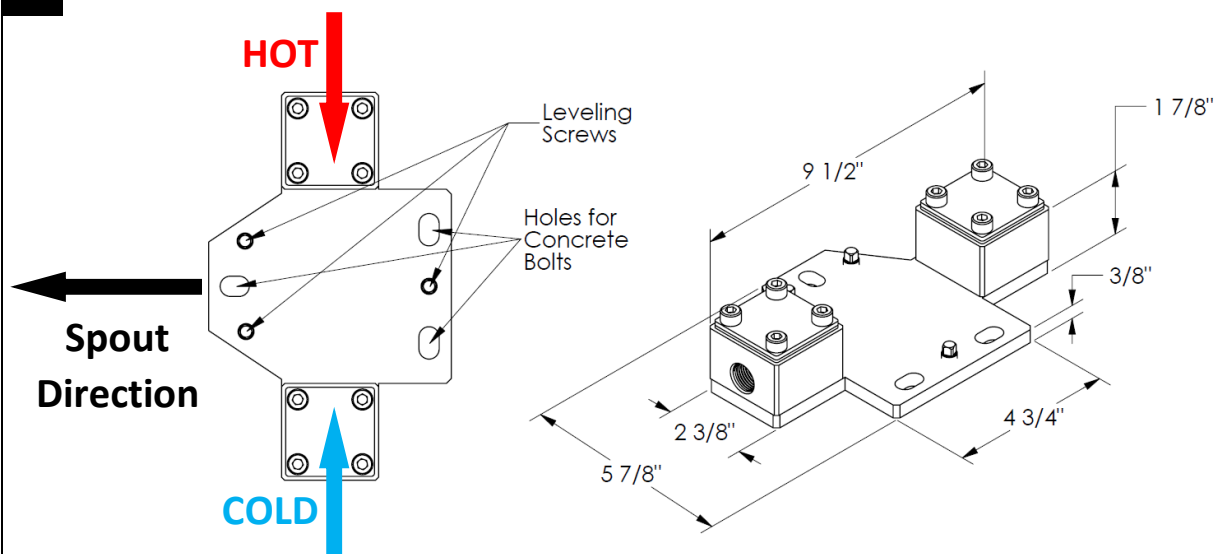
INSTALLATION STEPS

1



- Make a rectangular recess in the ground with depth of 1 3/4" to 3 1/2" to fit the rough.
- Recess should have minimum dimensions of 6" x 10" to fit the rough.

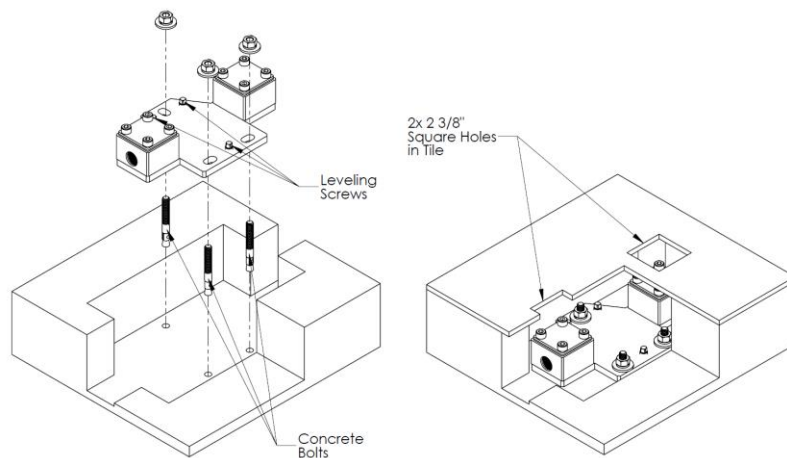
2



- Align the rough to desired spouts direction based on inlets.
- Mark three holes on the ground for the concrete bolts and drill 2 1/4" deep holes.
- Place the concrete bolts into the holes and install the rough on the ground.
- Adjust the leveling screws to make sure that the rough is level.
- Tighten the nuts onto the concrete bolts.

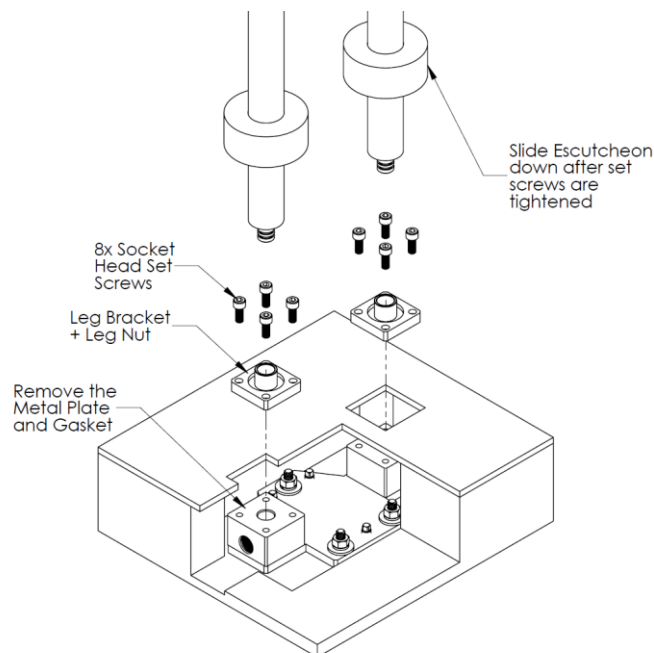
INSTALLATION STEPS

3



- Keep metal plates and gaskets on the rough until the installation of the tub filler. Make two holes about 2 3/8" x 2 3/8" on the tile(s) floors, 7.1" CTC.
- Inlet connections are 1/2"-14 NPT Female.

4



- Make sure inlets are turned off.
- Unscrew the socket screws to remove the metal plates and gaskets.
- Glue the tile(s) with the two square holes.
- Insert the mixer in to the rough carefully and smoothly.
- Secure mixer with the eight socket head screws provided.
- After installation, test the tub filler and see if there are any leakages.