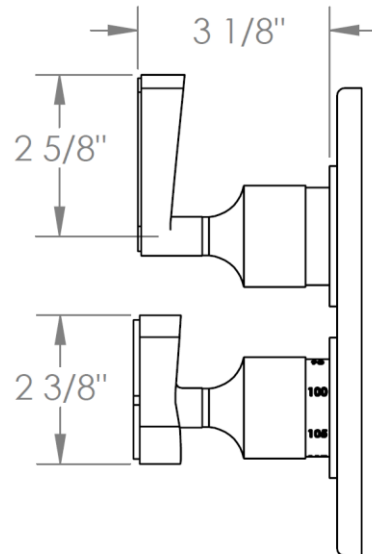
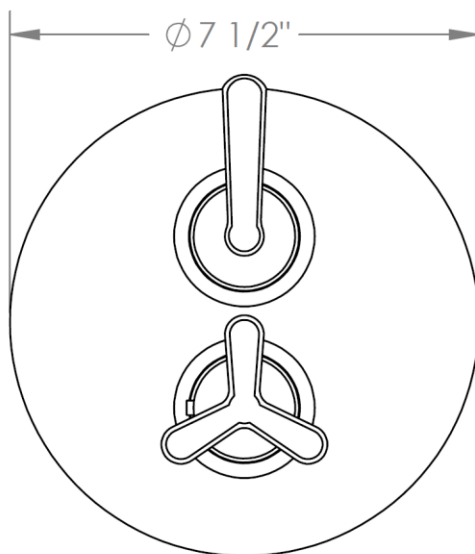
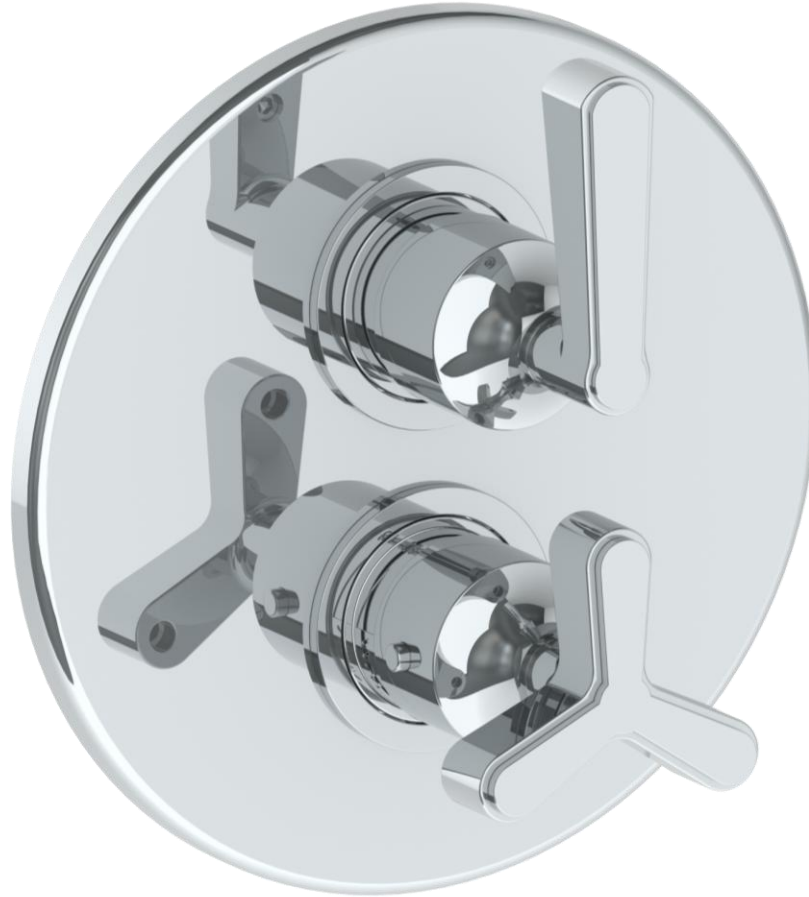


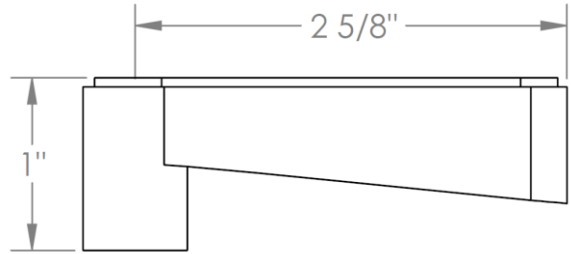
30-T20-__

Trim Kit Only for Thermostatic Valve with Built-In Control
Requires SS-TH2000, SS-TH4000 or SS-THVD2 concealed rough



HANDLE TRIM OPTIONS

TR24 – NORWOOD



TR25 - UNION

