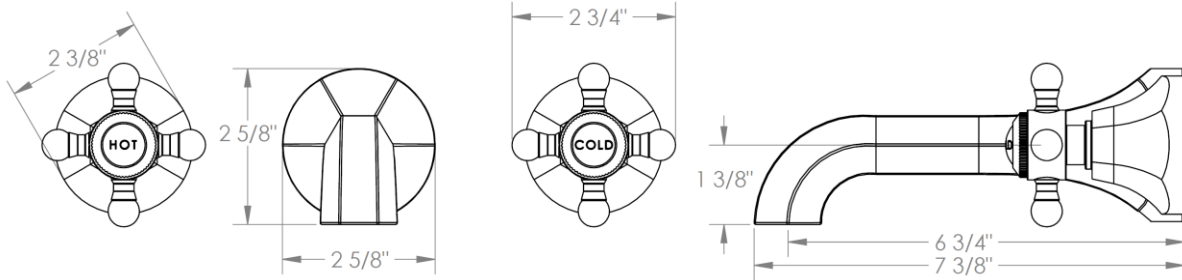


312-5-X

Wall Mounted 3 Hole Bath Set

For use with SS-506 or SS-THV2.2-26C concealed rough

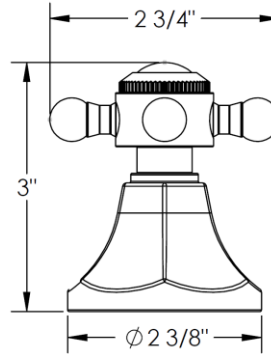
Note: Some building codes may require a remote pressure balancing valve, such as the SS-PB50



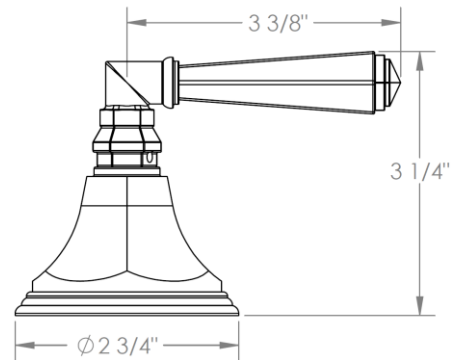
Meets the applicable requirements of ASME A112.18.1-2005/CSA B125.1-05, entitled "Plumbing Supply Fittings"

Gramercy Handle Trim Options

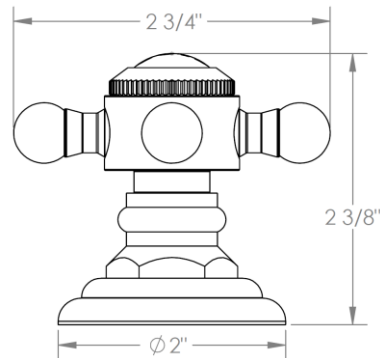
X – OXFORD



Y – LYONS



V – WALES



Y2 – WILLIAMS

