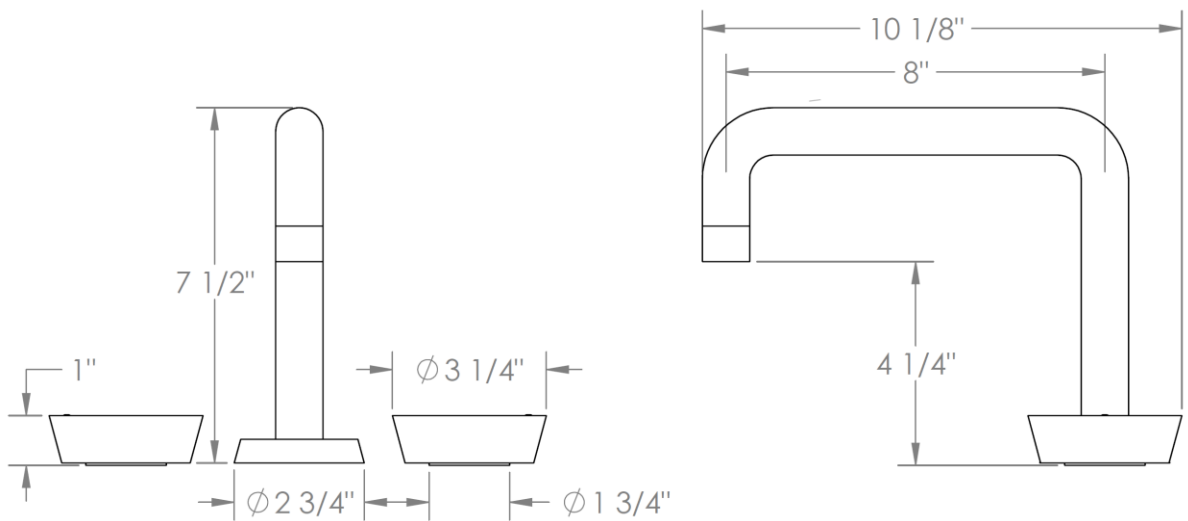


**36-8.26-BL1**

**Deck Mounted 3 Hole Square Bath Set**

Note: Some building codes require remote pressure balance valves for anti-scald



Meets the applicable requirements of ASME A112.18.1-2005/CSA B125.1-05, entitled "Plumbing Supply Fittings"

**WATERMARK DESIGNS 8/15/2018**

350 Dewitt Ave Brooklyn NY 11207 USA T 718 257 2800 F 718 257 2144 info@watermark-designs.com