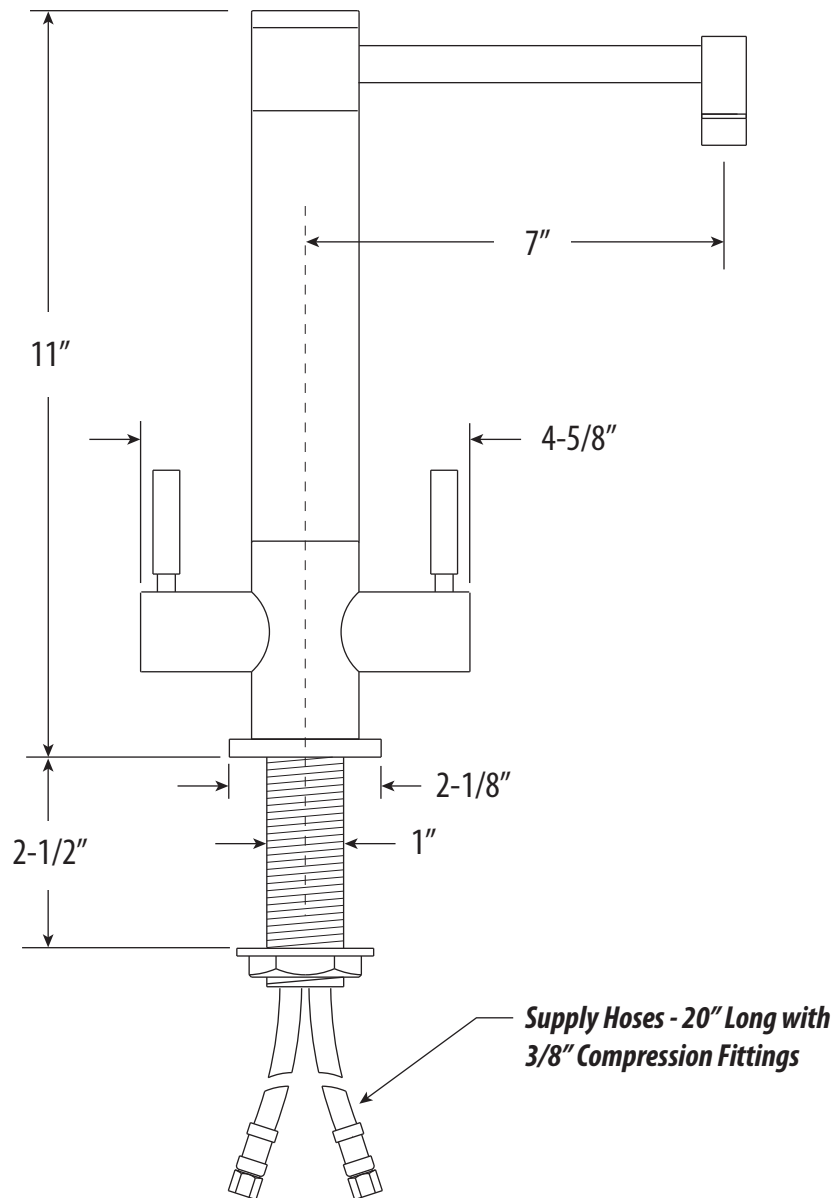


## HUNLEY BAR FAUCET

# 2500

- Max Counter Thickness 2-1/2"
- Install Hole Size Adaptable Up to 1-3/8"



DIMENSIONS MAY VARY AND ARE SUBJECT TO CHANGE. NO RESPONSIBILITY IS ASSUMED FOR USE OF SUPERCEDED OR VOIDED DATA