

# TRADITIONAL COUNTER MOUNTED POTFILLER SPECS - CROSS HANDLE

## Model # 3350



### PRODUCT DESCRIPTION

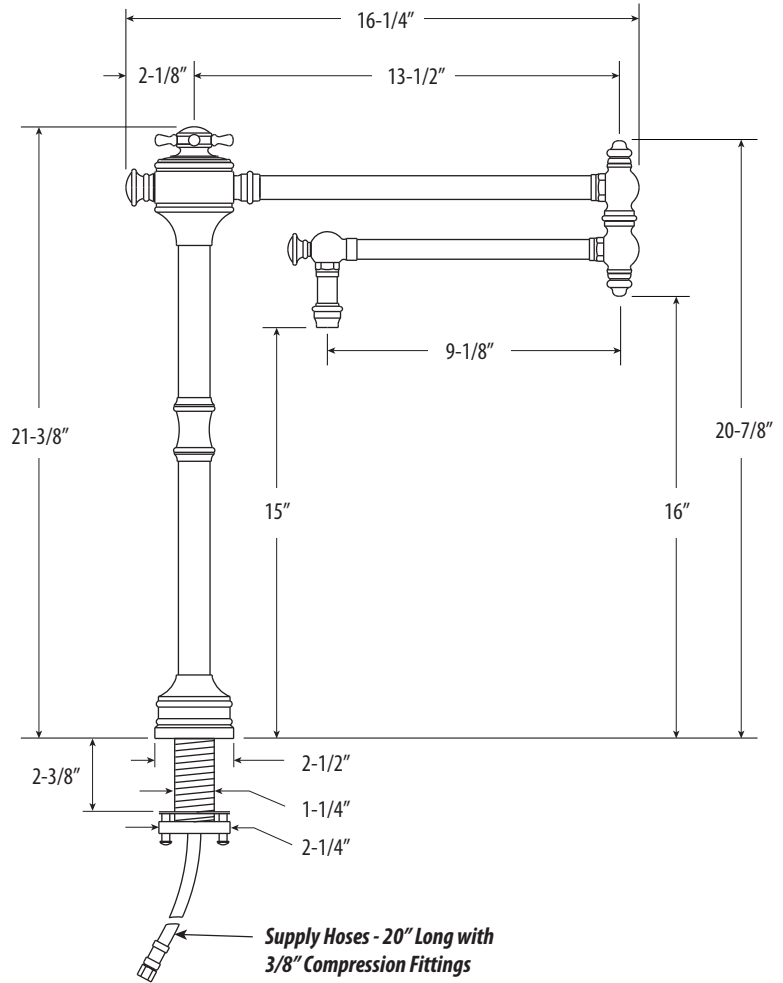
- Fill up your cooking pots directly on the stove.
- Counter mounted next to stove.
- Cold water hook up.
- Articulated spout reach swings 22".
- Built-in check valve prevents dripping.
- Compatible with Reverse Osmosis filtration systems.
- 1.75 gpm maximum flow rate with aerated tip.
- Solid brass construction.
- 1/4 turn ceramic disk valve cartridge.
- Stub-out connection 1/2" NPT.
- Single cross handle.
- Includes 2 accent buttons. Finish match and decorative ceramic.
- Reinforced braided connection hose.
- Lifetime functional warranty.
- Made in the USA.

### CODES/STANDARDS APPLICABLE

Specified model meets or exceeds the following:

- ASME A112.18.1
- CSA B125.1
- NSF 61, 372
- CALGreen

- Max Counter Thickness 2-3/8"
- Minimum Install Hole Size 1-1/2"



DIMENSIONS MAY VARY AND ARE SUBJECT TO CHANGE. NO RESPONSIBILITY IS ASSUMED FOR USE OF SUPERCEDED OR VOIDED DATA



### AVAILABLE IN 30 FINISHES + SOLID STAINLESS STEEL

Antique Brass - AB  
Antique Bronze - ABZ  
Antique Copper - AC  
American Bronze - AMB  
Antique Pewter - AP  
Gloss Black - GB  
Black Nickel - BLN  
Black-Oil Rubbed Bronze - ORB  
Caribbean Bronze - CB  
Chocolate Bronze - CHB  
Chrome - CH

Classic Bronze - CLZ  
Distressed Antique Brass - DAB  
Distressed Antique Copper - DAC  
Distressed American Bronze - DAMB  
Distressed Antique Pewter - DAP  
Matte Black - MB  
Polished Brass - PB  
Polished Copper - PC  
Polished Gold - PG  
Polished Nickel - PN  
Satin Brass - SB

Satin Chrome - SC  
Satin Gold - SG  
Satin Nickel - SN  
Stainless Steel - SS\*  
Tuscan Brass - TB  
Unlaquered Polished Brass - UPB  
Venetian Bronze - VB  
Weathered Brass - WB  
Weathered Copper - WC