



Photo is for illustrative purposes, please reference specifications for actual dimensions

CMetro

Console table **CM20** – 20" length

inch 18 3/16" depth x 20 1/4" length x 34 9/16" height mm 462x514x878

Combination weight

– 30,5 lb – 14,1 kg

Material

– Stainless steel, pure grade 304, gauge 16

Features

- Console is made of pure stainless steel and is not chrome plated. Mirror finish is a class 8 polish with polished sides
- Adjustable levelers

Finishes and colors

– Mirror (M) - Brushed (B)

Glass shelf

– 6mm extra clear glass, white lacquered, with safety film backing

Countertop - sold separately

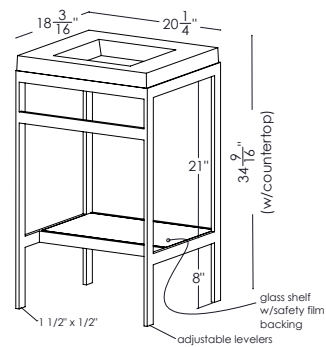
– To be combined with 20inch – 51 cm integrated countertop CUBE Metro

Countertop material, finishes and color

- WETMAR BiO™
- White True High Gloss™ or White mat

Suggested accessory

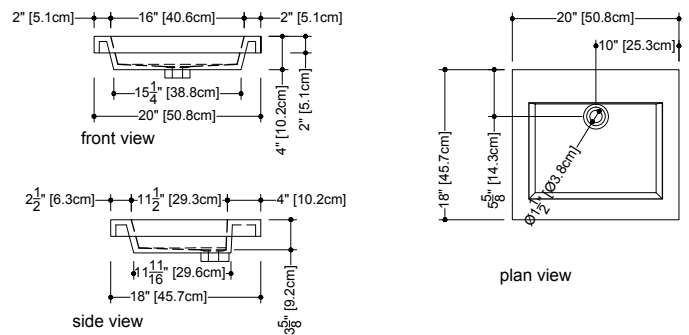
- DBT01R
Decorative round-style bottle trap,
Polished chrome (PC) or brushed nickel (BN)



Cube Collection Metro Integrated Countertop

VCMS 20 – 20" length

inch 18x20x2 mm 457x508x51



WETSTYLE cannot be held responsible for any technical errors and reserves the right to make revisions without notice.

Approximate measurement. The manufacturer accept 1/4" (6.35mm) variance.

www.WETSTYLE.COM - Montreal - Canada
Tel. 1 888.536.9001 - service@wetstyle.com





Photo is for illustrative purposes, please reference specifications for actual dimensions

C Metro

Console table **CM24** – 24" length

inch 18 3/16 depth x 24 1/4 length x 34 9/16 height mm 462x616x878

Combination weight

– 35 lb – 16,3 kg

Material

– Stainless steel, pure grade 304, gauge 16

Features

- Console is made of pure stainless steel and is not chrome plated. Mirror finish is a class 8 polish with polished sides
- Adjustable levelers

Finishes and colors

– Mirror (M) - Brushed (B)

Glass shelf

– 6mm extra clear glass, white lacquered, with safety film backing

Countertop - sold separately

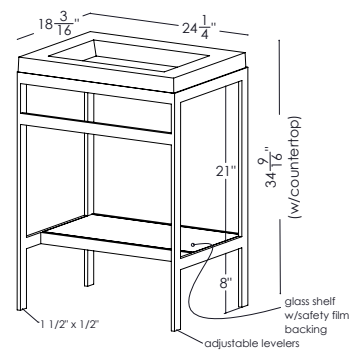
– To be combined with 20inch – 51cm integrated countertop CUBE Metro

Countertop material, finishes and color

- WETMAR BiO™
- White True High Gloss™ or White mat

Suggested accessory

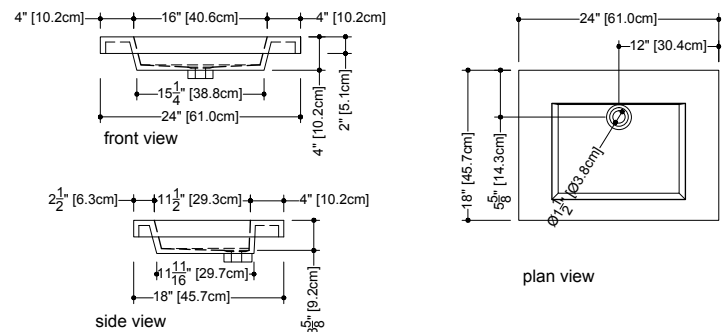
- DBT01R
Decorative round-style bottle trap,
Polished chrome (PC) or brushed nickel (BN)



Cube Collection Metro Integrated Countertop

VCMS 24 – 24" length

inch 18x24x2 mm 457x610x51



WETSTYLE cannot be held responsible for any technical errors and reserves the right to make revisions without notice.

Approximate measurement. The manufacturer accept 1/4" (6.35mm) variance.

www.WETSTYLE.COM - Montreal - Canada
Tel. 1 888.536.9001 - service@wetstyle.com





Photo is for illustrative purposes, please reference specifications for actual dimensions

CMetro

Console table **CM30** – 30" length

inch 18 3/16 depth x 30 1/4 length x 34 9/16 height mm 462x768x878

Combination weight

– 38 lb – 17,3 kg

Material

– Stainless steel, pure grade 304, gauge 16

Features

- Console is made of pure stainless steel and is not chrome plated. Mirror finish is a class 8 polish with polished sides
- Adjustable levelers

Finishes and colors

– Mirror (M) - Brushed (B)

Glass shelf

– 6mm extra clear glass, white lacquered, with safety film backing

Countertop - sold separately

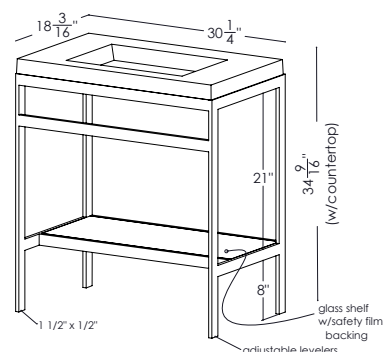
– To be combined with 20inch – 51 cm integrated countertop CUBE Metro

Countertop material, finishes and color

- WETMAR BiO™
- White True High Gloss™ or White mat

Suggested accessory

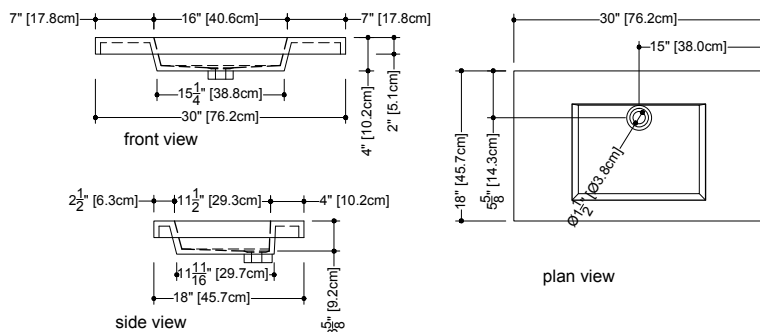
- DBT01R
Decorative round-style bottle trap,
Polished chrome (PC) or brushed nickel (BN)



Cube Collection Metro Integrated Countertop

VCMS 30 – 30" length

inch 18x30x2 mm 457x762x51



WETSTYLE cannot be held responsible for any technical errors and reserves the right to make revisions without notice.

Approximate measurement. The manufacturer accept 1/4" (6.35mm) variance.

www.WETSTYLE.COM - Montreal - Canada
 Tel. 1 888.536.9001 - service@wetstyle.com





Photo is for illustrative purposes, please reference specifications for actual dimensions

CMetro

Console table **CM36** – 36" length

inch 18 3/16 depth x 36 1/4 length x 34 9/16 height mm 462x921x878

Combination weight

– 42 lb – 19,3 kg

Material

– Stainless steel, pure grade 304, gauge 16

Features

- Console is made of pure stainless steel and is not chrome plated. Mirror finish is a class 8 polish with polished sides
- Adjustable levelers

Finishes and colors

– Mirror (M) - Brushed (B)

Glass shelf

– 6mm extra clear glass, white lacquered, with safety film backing

Countertop - sold separately

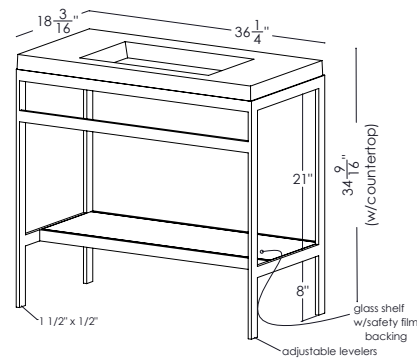
– To be combined with 20inch — 51 cm integrated countertop CUBE Metro

Countertop material, finishes and color

- WETMAR BiO™
- White True High Gloss™ or White mat

Suggested accessory

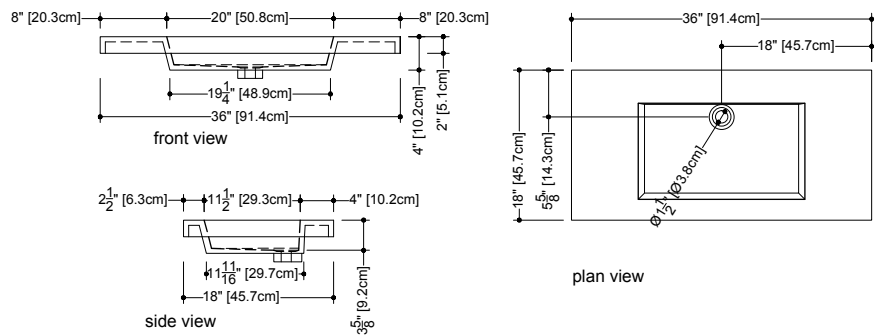
- DBT01R
Decorative round-style bottle trap,
Polished chrome (PC) or brushed nickel (BN)



Cube Collection Metro Integrated Countertop

VCMS 36 – 36" length

inch 18x36x2 mm 457x914x51



WETSTYLE cannot be held responsible for any technical errors and reserves the right to make revisions without notice.

Approximate measurement. The manufacturer accept 1/4" (6.35mm) variance.

www.WETSTYLE.COM - Montreal - Canada
Tel. 1 888.536.9001 - service@wetstyle.com





Photo is for illustrative purposes, please reference specifications for actual dimensions

CMetro

Console table **CM42** – 42" length

inch 18 3/16 depth x 42 1/4 length x 34 9/16 height mm 462x1073x878

Combination weight

– 67 lb – 30,6 kg

Material

– Stainless steel, pure grade 304, gauge 16

Features

- Console is made of pure stainless steel and is not chrome plated. Mirror finish is a class 8 polish with polished sides
- Adjustable levelers

Finishes and colors

– Mirror (M) - Brushed (B)

Glass shelf

– 6mm extra clear glass, white lacquered, with safety film backing

Countertop - sold separately

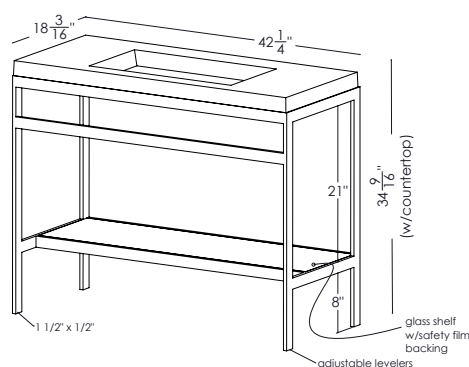
– To be combined with 20inch – 51 cm integrated countertop CUBE Metro

Countertop material, finishes and color

- WETMAR BiO™
- White True High Gloss™ or White mat

Suggested accessory

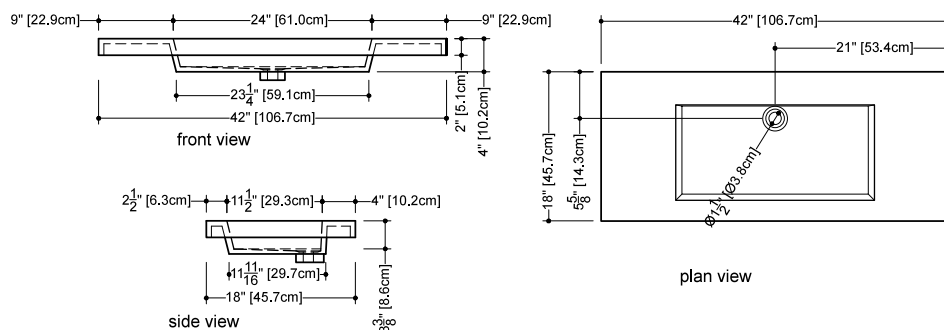
- DBT01R
Decorative round-style bottle trap, Polished chrome (PC) or brushed nickel (BN)



Cube Collection Metro Integrated Countertop

VCMS 42 – 42" length

inch 18x42x2 mm 457x1067x51



WETSTYLE cannot be held responsible for any technical errors and reserves the right to make revisions without notice.

Approximate measurement. The manufacturer accept 1/4" (6.35mm) variance.

www.WETSTYLE.COM - Montreal - Canada
Tel. 1 888.536.9001 - service@wetstyle.com

