

ACT™

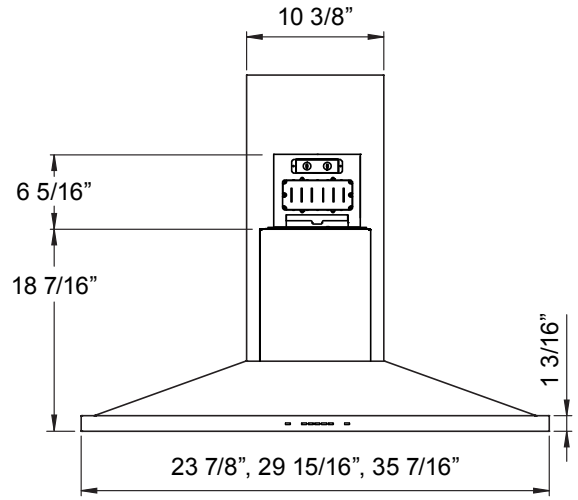
	INTERNAL BLOWER STANDARD	INTERNAL BLOWER with ACT™ AIRFLOW CONTROL TECHNOLOGY™*	
Min. - Max. CFM	200 - 600	200 - 390	200 - 290
Min. - Max. Sones	1 - 6	*AIRFLOW CONTROL TECHNOLOGY™ (ACT™) is an exclusive feature built into specific Zephyr hoods which can limit the maximum blower CFM to meet local code requirements.	



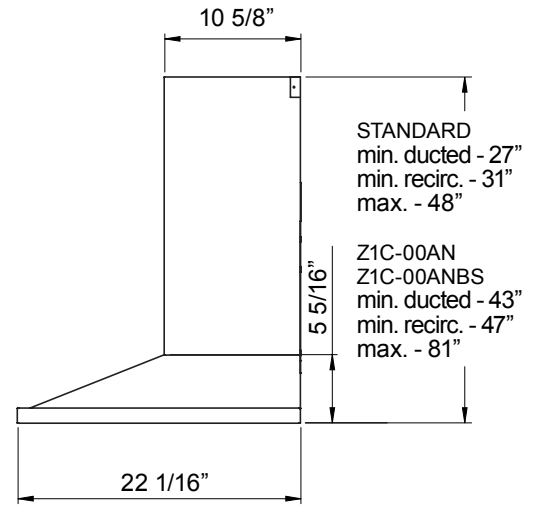
Stainless Steel



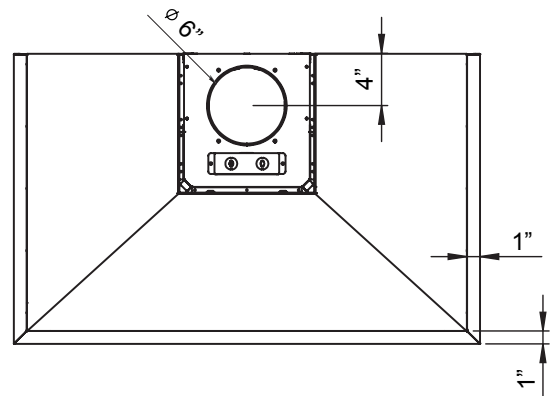
Black Stainless Steel



FRONT



SIDE



TOP

MODEL

Black Stainless Steel		ZAN-E30DBS	ZAN-M90DBS
Stainless Steel	ZAN-E24DS	ZAN-E30DS	ZAN-M90DS
Size	24"	30"	36"

BLOWER PERFORMANCE

Blower CFM (Min. - Max.)	200 - 600	200 - 600	200 - 600
Sones (Min. - Max.)	1 - 6	1 - 6	1 - 6
ACT 390 CFM (Min. - Max.)	200 - 390	200 - 390	200 - 390
ACT 290 CFM (Min. - Max.)	200 - 290	200 - 290	200 - 290

FEATURES

ACT™ Technology	390, 290	390, 290	390, 290
Controls	ICON Touch®	ICON Touch®	ICON Touch®
Speed Levels	5*	5*	5*
Auto Delay-Off	Yes	Yes	Yes
Lighting	LumiLight LED, 6W x1	LumiLight LED, 6W x2	LumiLight LED, 6W x2
Dual-Level Lighting	Yes	Yes	Yes
Filters	Aluminum Mesh x1	Aluminum Mesh x2	Aluminum Mesh x2
Recirculating Option	Yes	Yes	Yes
Duct Cover Extension Option	Yes, Up to 12' Ceiling	Yes, Up to 12' Ceiling	Yes, Up to 12' Ceiling
ADA Compliant	Yes, w/ remote accessory	Yes, w/ remote accessory	Yes, w/ remote accessory

DUCT SPECIFICATIONS

Vertical Internal Blower	6" Round	6" Round	6" Round
Horizontal Internal Blower	NA	NA	NA
AC POWER	120V, 60Hz at Max. 4A	120V, 60Hz at Max. 4A	120V, 60Hz at Max. 4A

OPTIONAL ACCESSORIES

Wireless Remote Control Kit	RC-0002	RC-0002	RC-0002
Recirculating Kit	ZRC-01AN	ZRC-01AN	ZRC-01AN
Duct Cover Extension	Z1C-00AN (SS)	Z1C-00ANBS (Black SS) Z1C-00AN (SS)	Z1C-00ANBS (Black SS) Z1C-00AN (SS)
Stainless Steel Telescopic Backsplash	NA	AK1710	NA
Make-Up Air Kit	MUA006A	MUA006A	MUA006A
Hybrid Baffle Filter Kit (2 filters)	Z0F-B002	Z0F-B002	Z0F-B002

MOUNTING HEIGHT RANGE**	26" - 34"	26" - 34"	26" - 34"
-------------------------	-----------	-----------	-----------

WARRANTY	3 years parts, 1 year labor	3 years parts, 1 year labor	3 years parts, 1 year labor
----------	-----------------------------	-----------------------------	-----------------------------

CEILING HEIGHT		8'	8.5'	9'	9.5'	10'	10.5'	11'	12'
STANDARD DUCT COVER	Ducted Mounting Height***	26" - 33"	26" - 34"	26" - 34"	29.5" - 34"	NA	NA	NA	NA
	Recirc Mounting Height***	26" - 29"	26" - 34"	26" - 34"	29.5" - 34"	NA	NA	NA	NA
DUCT COVER EXTENSION	Ducted Mounting Height***	NA	NA	26" - 29"	26" - 34"	26" - 34"	26" - 34"	26" - 34"	27" - 34"
	Recirc Mounting Height***	NA	NA	NA	26" - 31"	26" - 34"	26" - 34"	26" - 34"	27" - 34"

*When ACT™ is enabled the maximum speed levels will change. ACT 390 CFM = 4 speeds and ACT 290 CFM = 3 speeds.

**Mounting height refers to distance between top of a 36" tall cooking surface and bottom of hood.

ACT™ Airflow Control Technology™ (ACT™) is an exclusive feature built into specific Zephyr hoods which can limit the maximum blower CFM to meet local code requirements.

Specifications subject to change, check zephyronline.com for up-to-date information.
Zephyr Ventilation | 2277 Harbor Bay Parkway, Alameda, CA 94502 | 888.880.VENT

APR22.0101

