

**Application**

Designed for use in measurement of water from a fire hydrant or other non-permanent installation where flow is in one direction only. Protects against both backsiphonage and backpressure of contaminated water into the potable water supply. NH (NST) adapters allow for connection to 2 1/2" fire hydrant (inlet) and 2 1/2" fire hose (outlet). Assembly shall provide protection where a potential health hazard exists.

**Standards Compliance**

Model RPHBM Hydrant Backflow Meter meets the design requirements of most national standards. Due to the portability of the assembly, there are no national approvals available.

Meter meets the requirements of:

ANSI / AWWA C701-88 Class II

**Features**

Sizes: 3"

Maximum intermittent flow rate	650 GPM
Maximum continuous flow rate	450 GPM
Minimum flow rate	2-1/2 GPM
Maximum working water pressure	175 PSI
Maximum working water temperature	140°F
Fire Department connection (2-1/2")	NH (NST) (NFPA 1963)

- Single body construction. Water meter plus Reduced Pressure Principle Backflow Preventer encased in a single body design.
- Unitized lightweight exterior powder-coated hard anodized body design results in a short lay length and light weight product ideal for temporary installations.
- Consists of a 3" hydrant meter and 3" check valves allowing for increased flow up to 650 GPM.
- Utilizes approved ZURN WILKINS 3 inch check valves and differential pressure relief valve for maximum protection.
- Class II Turbine type meter insures accurate measurement.
- Lifting handles allow quick installation to fire hydrant.
- Adjustable support stand for positive support.
- 2-1/2" brass inlet swivel fitting for fast installation.
- Straightening vanes for accurate measurement.



**3-RPHBMGV**

**Accessories**

- Repair kit (rubber only)
- QT-SET Quick Test Fitting Set
- Breakaway Hydrant Lock for barrel lock\* HBM-BHLB
- Breakaway Hydrant Lock for padlock\* HBM-BHLP

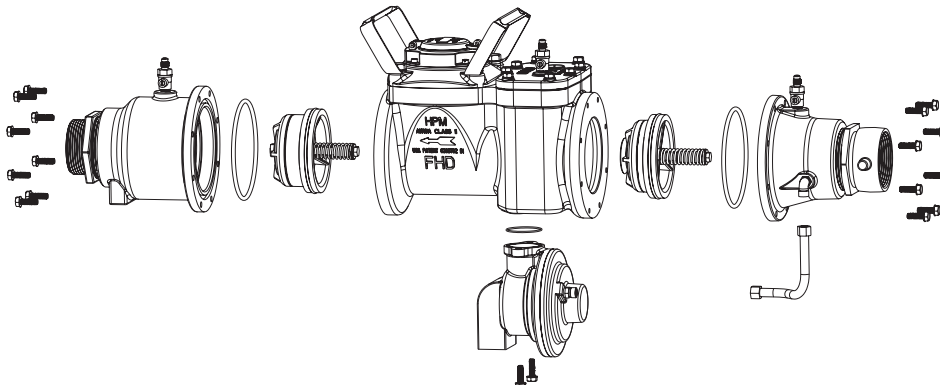
\*Locks supplied by end user.

**Options**

- with US gal. register
- CFM - with cu. ft. register
- GV - Outlet shut off valve (HBM-48)

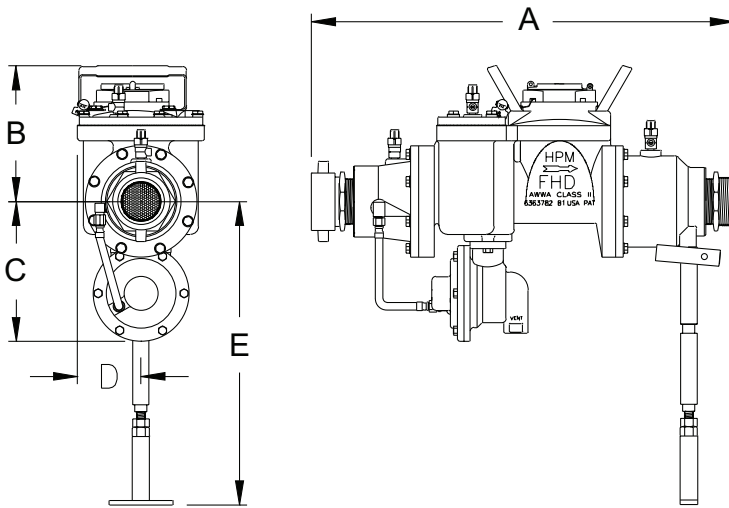
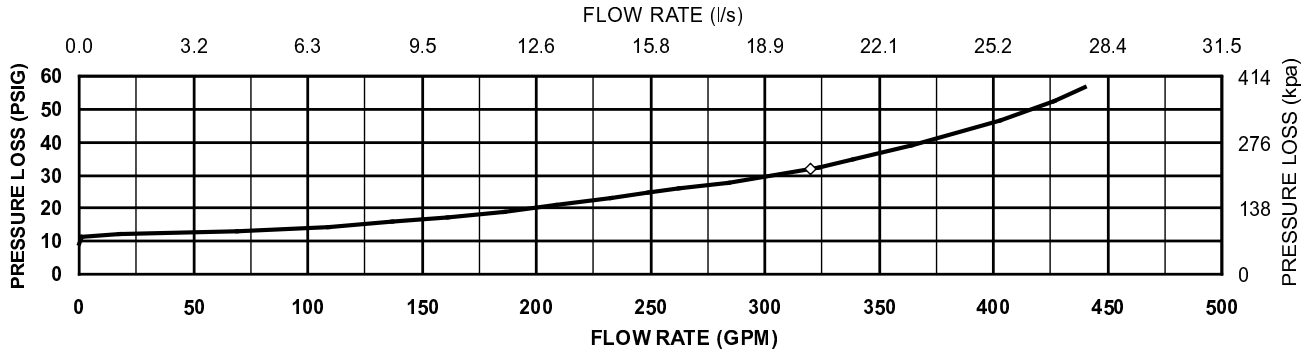
**Materials**

Main valve body	Aluminum (Hard anodized and epoxy coated interior and exterior)
& Access covers	coated interior and exterior)
Fasteners	Stainless Steel, 300 Series
Elastomers	EPDM (FDA approved) Buna Nitrile (FDA approved)
Polymers	Noryl™, NSF Listed
Springs	Stainless steel, 300 series
Connections	Cast Brass ASTM B 584
Gate Valve body	Brass ASTM B 584 Alloy C85700
Lifting handles	Stainless steel



**Flow Characteristics**

**MODEL RPHBM, 3" (STANDARD & METRIC)**



**DIMENSIONS & WEIGHTS (do not include pkg.)**

SIZE		DIMENSIONS (approximate)												WEIGHT	
		A		B		C		D		E MAX		E MIN			
in.	mm	in.	mm	in.	mm	in.	mm	in.	mm	in.	mm	in.	mm	lbs.	kg
3	76.2	26 1/2	673.1	8	203.2	9	228.6	3 3/4	95.2	27	685.8	7 1/2	190.5	53.7	24.4

