

# REF36X

## REFRIGERATOR 36" FREESTANDING FRENCH DOOR STAINLESS STEEL



Optimal temperature and humidity control ensured by dual air-cooling with independent No-Frost system for refrigerator and freezer compartments

Full-width temperature controlled crisper with separate temperature setting for meat, fish or vegetables

Humidity-controlled crispers for better preservation of fresh produce

Foldable top shelf for storage of taller items

Automatic ice maker with automatic release and removable tray

Super Freeze cycle with DC inverter compressor, 20% faster than standard refrigerators

Digital LED touch interface with user-friendly controls for temperature, super freeze, ice maker and holiday mode.

Overhead and sidewall LED lighting for clearer illumination

Flat front stainless steel doors with no-fingerprint surface treatment

Choose Professional, Master or Heritage Series handle kit to match your other Bertazzoni kitchen appliances

### PRODUCT FEATURES

<b>Style</b>	French door with 2 freezer drawers
<b>Finish</b>	Stainless steel with no-fingerprint treatment
<b>User interface</b>	LED touch interface
<b>Lighting</b>	LED
<b>Refrigerator shelves</b>	2 stationary, 4 height-adjustable
<b>Refrigerator crispers</b>	1 large size with preset temperature-controls and 2 medium with adjustable humidity
<b>Door storage</b>	2 stationary + 4 gallon-size height-adjustable bins
<b>Freezer drawers</b>	2
<b>Ice maker</b>	Automatic with removable bin - 2.8 lbs/24 hr
<b>Programs</b>	Super freeze - Ice maker on/off Holiday mode - Eco mode
<b>Open door alarm</b>	Yes

### INTERIOR CAPACITY

<b>Total volume</b>	21 cu.ft
<b>Refrigerator</b>	15 cu.ft
<b>Freezer</b>	6 cu.ft

### TECHNICAL SPECIFICATIONS

<b>Voltage, Frequency, Amps</b>	115V, 60Hz - 2.7 Amps 140W
<b>DOE Compliant</b>	Yes - 633kWh/yr
<b>Power connection</b>	120V 3-prong plug with 72" cord
<b>Water connection</b>	1/4" waterline with accessible shut-off valve
<b>Water supply pressure</b>	Min 0.05 MPa (0.5Bar) Max 0.5 MPa (5 Bar)
<b>Certification</b>	UL
<b>Warranty</b>	2 years parts and labor
<b>Packaging dimensions and weight</b>	W 38" 3/4 H 72" 1/2 D 30" 3/4 Weight 311 lbs

### ACCESSORIES

<b>PROHK36REF</b>	Handle kit for 36" french door refrigerator - PROFESSIONAL SERIES
<b>PROHK36FD</b>	Handle kit 36" french door refrigerator new range style PROFESSIONAL SERIES
<b>MASHK36REF</b>	Handle kit for 36" french door refrigerator - MASTER SERIES
<b>MASHK36FD</b>	Handle kit 36" french door refrigerator new range style MASTER SERIES
<b>HERHK36REF</b>	Handle kit for 36" french door refrigerator - HERITAGE SERIES



REF36X+PROHK36REF



REF36X+MASHK36REF



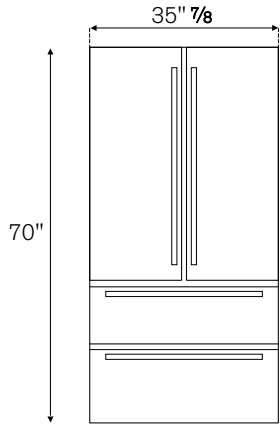
REF36X+HERHK36REF

# REF36X

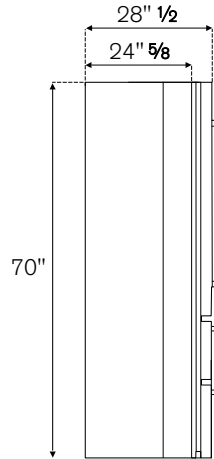
REFRIGERATOR 36" FREESTANDING FRENCH DOOR  
STAINLESS STEEL



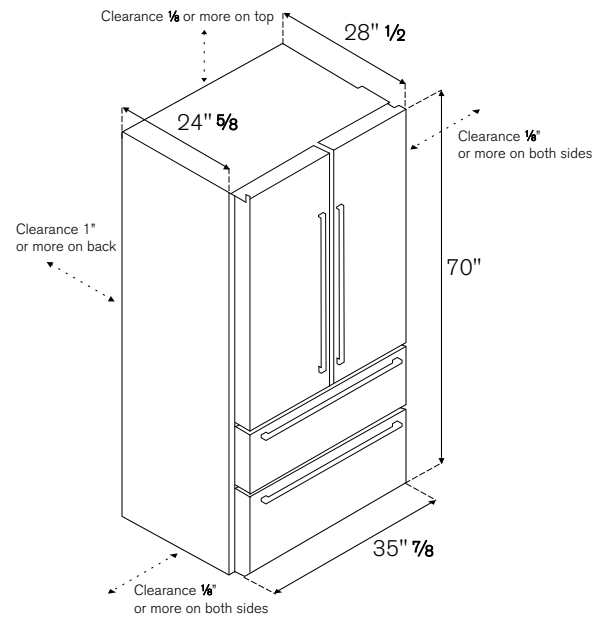
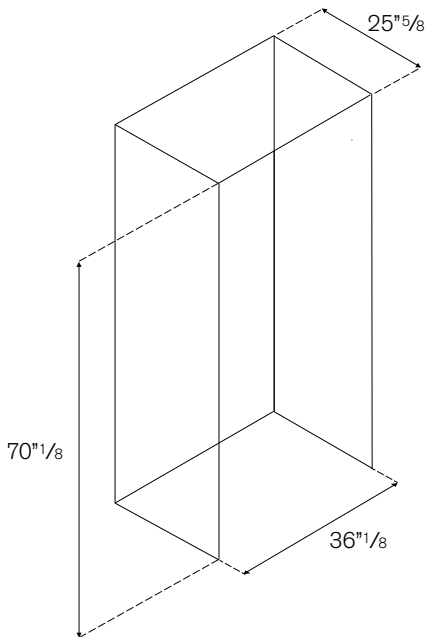
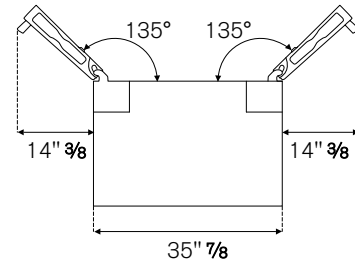
FRONT



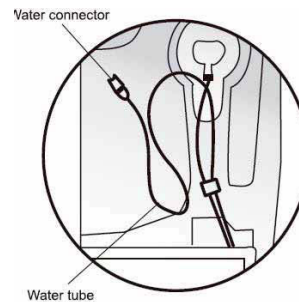
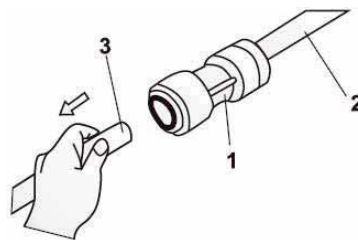
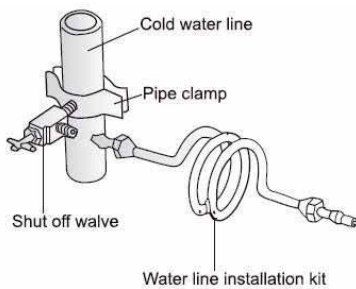
SIDE



TOP



**WATER LINE INSTALLATION KITS:** Available at extra cost from your dealer



## POWER CONNECTION:

Prepare an independent two-pole socketing with grounding contact for the unit. Do not use a multi-purpose socket with other electrical appliances. The grounding pole of the socket shall be provided with a reliable grounding wire.

**CONNECT WATER VALVE:** Connect water supply line to water valve with accessible shutoff valve. Connect water line to refrigerator using installation kit. Kit includes one water tube and connector. Second water tube not supplied. Connect first water tube [2] into corresponding hole of water connector [1].  
*If waterline is not drinkable, you must add an external water filter.*