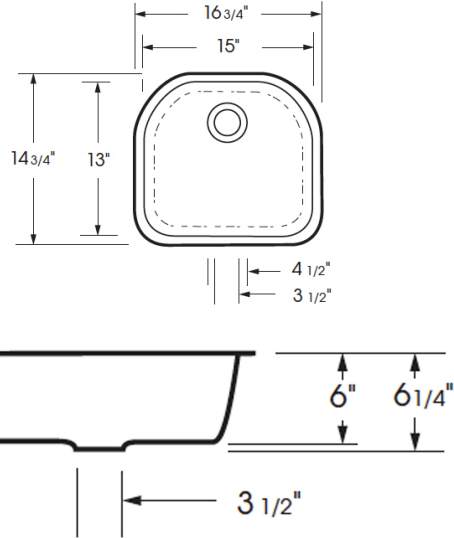


SPECIFICATIONS

PRODUCT SHEET

**B1513
SCULPTURED METALS**



Patterns Available:

- Plain
- Hammertone

Dimensions:

Inside: 15" x 13" x 6"
Outside: 16 3/4" x 14 3/4" x 6 1/2"

Finishes:

- | | |
|-------------------|------------------|
| Antique Brass | Old Nickel |
| Antique Copper | Polished Brass |
| Antique Nickel | Satin Brass |
| Polished Copper | Satin Copper |
| Nickel Silver | Satin Nickel |
| Oil Rubbed Bronze | Weathered Brass |
| Old Brass | Weathered Copper |
| Old Copper | |

OPTIONS

	Yes	No
Self-Rimming		STANDARD
Under Counter	X	
Special Rim		X
Euro Edge	X	
1 1/4" Drain		STANDARD
1 1/2" w/ Overflow	X	
Drain		
2 1/2" Jr. Basket	X	
Strainer		
Specify Faucet Drilling		X

