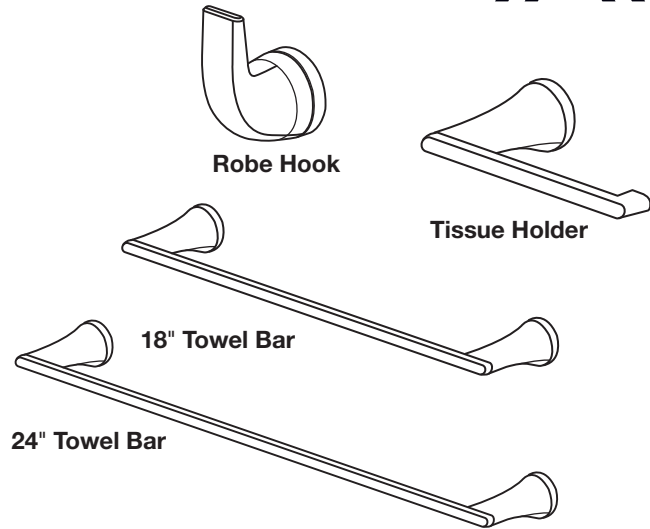


INSTALLATION INSTRUCTIONS



DXV Modulus™ Wall Mounted Accessories

- Robe Hook – Model D35120210
- Towel Bar 18" – Model D35120180
- Towel Bar 24" – Model D35120240
- Tissue Holder – Model D35120230



Thank you for selecting DXV. To ensure that your installation proceeds smoothly, please read these instructions carefully before you begin.

RECOMMENDED TOOLS AND MATERIALS

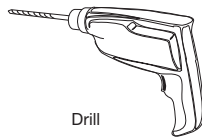
Most of the procedures require the use of common tools and materials, which are available from hardware and plumbing supply stores. It is essential that the tools and materials be on hand before work has begun.



Phillips Screwdriver



Flat Blade Screwdriver



Drill



Tape Measure

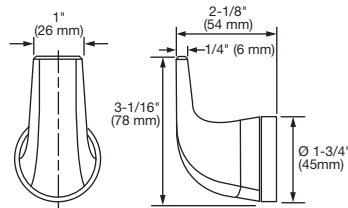


Level

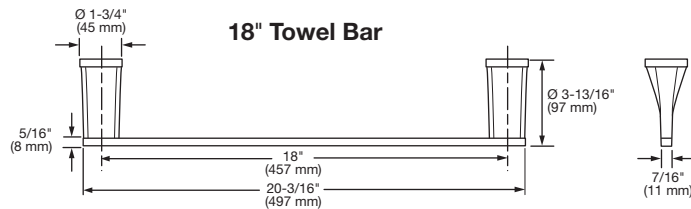
ROUGHING-IN DIMENSIONS:

- For reference

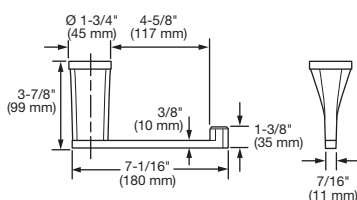
Robe Hook



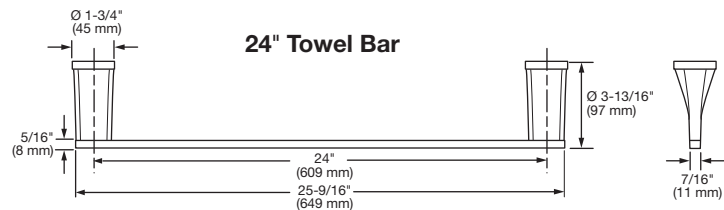
18" Towel Bar



Tissue Holder



24" Towel Bar

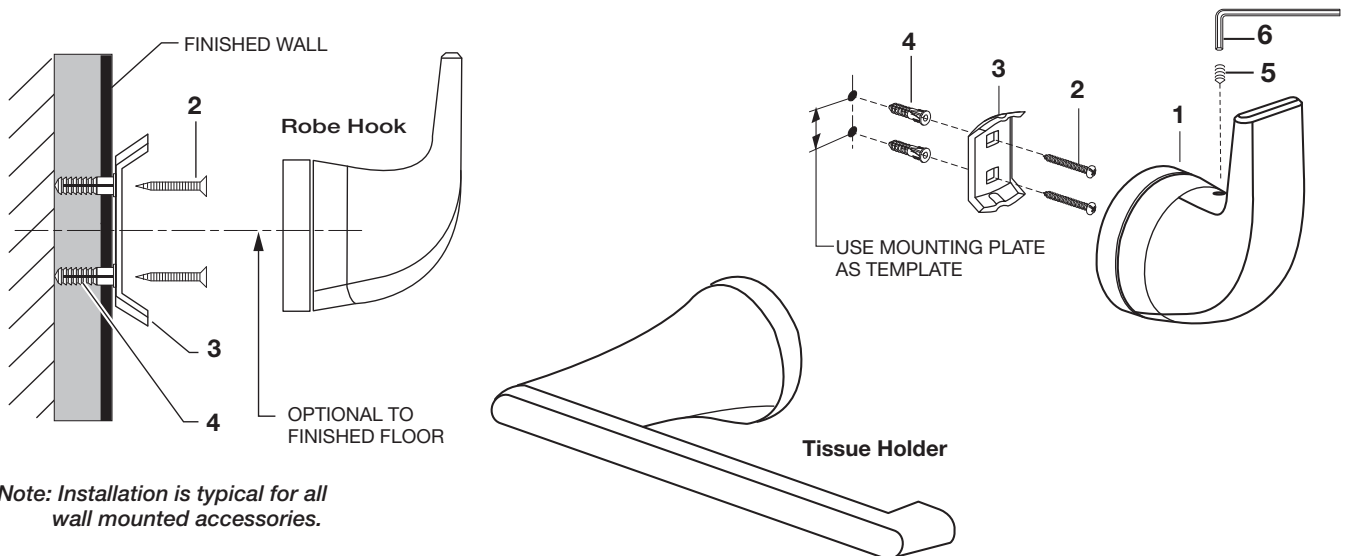


1 INSTALL WALL BRACKET

- The wall mounted accessories (1) works best if secured to a wall stud or cross brace within the wall, using the SCREWS (2) supplied.
- If the WALL MOUNTED ACCESSORIES (1) are to be installed on a tile or plaster wall the ANCHORS (3) and SCREWS (2) should be used.
- Determine desired height and location (optional) and mark a center line. **IMPORTANT: The *center line for the MOUNTING PLATE (3) must be level or the wall accessory will not mount level.** Using the MOUNTING PLATE (3) as a template mark the three spots for the ANCHORS (4). If MOUNTING PLATE (3) is secured to a stud or cross brace drill small pilot holes for SCREWS (2).
- **For installations on drywall or tiled walls:** Use ANCHORS (4) and SCREWS (2) for securing MOUNTING PLATE (3) to finished wall. Drill two 1/4" dia. holes a minimum of 1-3/4" deep. Insert the two ANCHORS (4) flush with face of the finished wall.
- Secure MOUNTING PLATE (3) to wall with SCREWS (2).

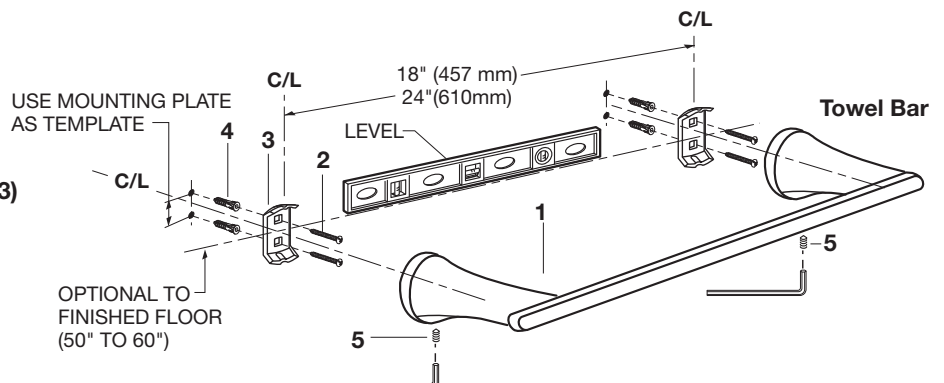
2 INSTALL ACCESSORY

- Install WALL MOUNTED ACCESSORY (1) onto installed MOUNTING PLATE (3). Push WALL MOUNTED ACCESSORY (1) flush against finished wall and tighten SET SCREW (5) with HEX WRENCH (6) supplied with accessory.



3 INSTALL TOWEL BAR

- See detail for the center to center dimension of TOWEL BARS (1). For installation of the WALL BRACKETS see step 1.
- The center line of WALL BRACKETS (3) must be level.
- Install TOWEL BAR (1) onto installed MOUNTING PLATES (3). Push TOWEL BAR (1) flush against finished wall and tighten SET SCREWS (5) with HEX WRENCH (8) supplied with accessory.

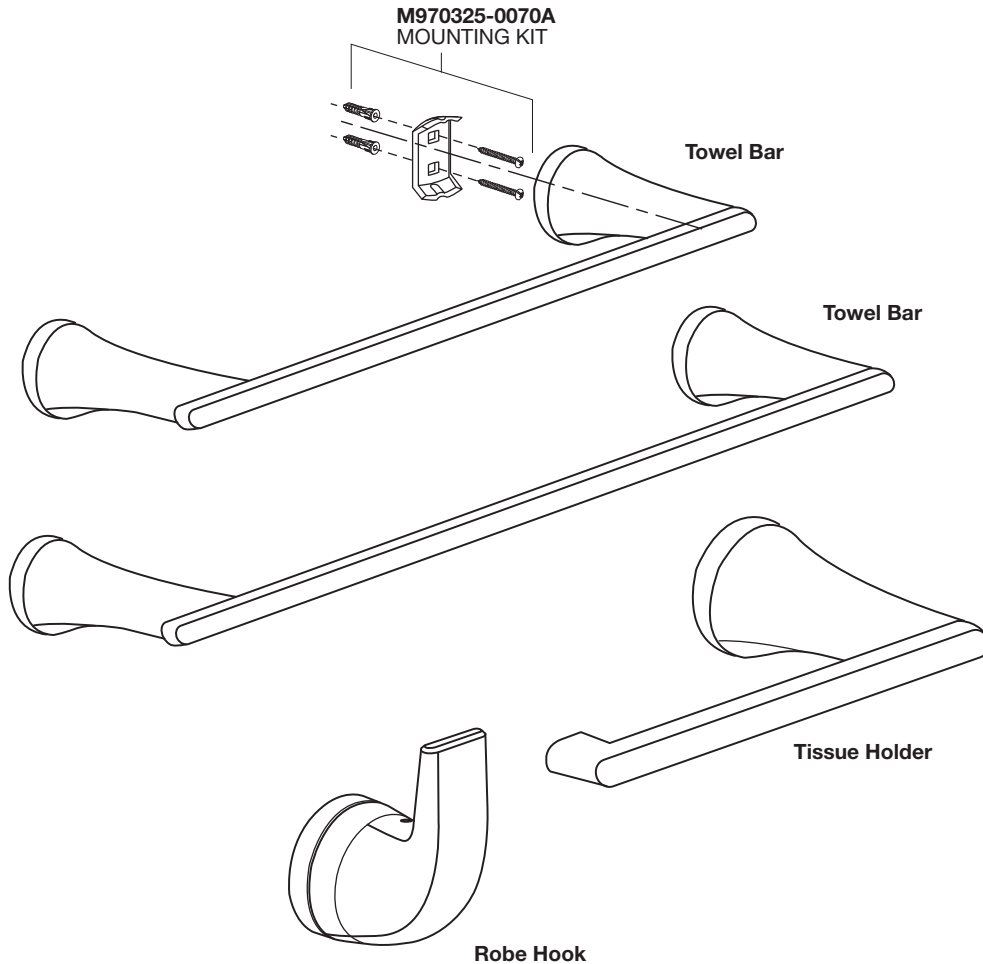




DXV Modulus™ Wall Mounted Accessories

Available Finishes

POLISHED CHROME	100
BRUSHED NICKEL	144
PLATINUM NICKEL	150



In the United States:

DXV
One Centennial Avenue
Piscataway, New Jersey 08855
Attention: Director of Customer Care

For residents of the United States, warranty information may also be obtained by calling the following toll free number: (800) 227-2734
www.DXV.com

In Canada:

DXV
5900 Avebury Road
Mississauga, Ontario
L5R 3M3
Canada

Toll Free: 1-800-387-0369
Local: 905-306-1093
Fax: 1-800-395-1498
www.DXV.ca

In Mexico:

DXV
Via Morelos 330
Col. Santa Clara Coatitla
Ecatepec, Estado de México 55540

Toll Free: 01-800-8391200
www.DXV.mx