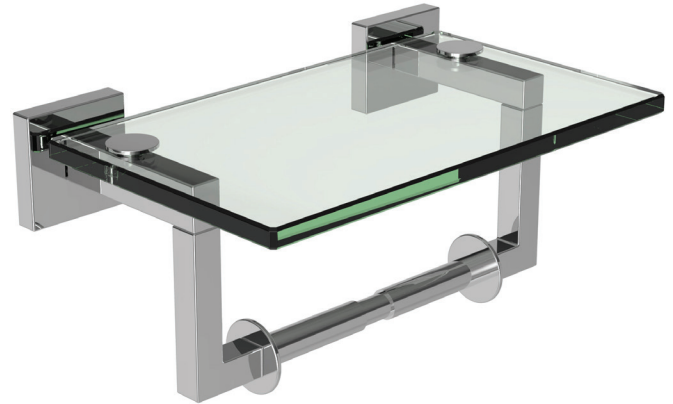


Features

- Solid metal construction
- Double-post design with spring-loaded, non-separating roller and tempered glass shelf
- Complements Lineal product series

Toilet Tissue Holder 5227



Codes / Standards Compliance

Meets or exceeds the following at date of manufacture:

- All applicable US Federal and State material regulations

Colors / Finishes

- PC: Polished Chrome
- PN: Polished Nickel
- SN: Satin Nickel

Specified Model

| Model | Description | Colors / Finishes |
|-------|---------------------------------------|---|
| 5227 | Toilet Tissue Holder with Glass Shelf | <input type="checkbox"/> PC <input type="checkbox"/> PN <input type="checkbox"/> SN |

Product Specification:

Add "Color / Finish" Suffix to Model Number Below

The Toilet Tissue Holder shall be made of solid brass construction and incorporate a double-post design utilizing a non-separating, spring-loaded roller and tempered glass shelf. Toilet Tissue Holder shall complement Ginger Lineal product series. Toilet Tissue Holder shall be Ginger Model 5227/____.

5227

Product Dimensions *(units are in inches)*

