

755MFLF & 755MFZLF Ball Valve • Spec Sheet



FEATURES & BENEFITS

755MFLF

- Lead Free Bronze*
- 600 WOG - 150 SWP
- Male X Female Test Cock
- With Lever Handle
- Threaded Ends Comply W/ ASME B1.20.1
- ISO-9002
- Sizes 1/8" - 1/4"

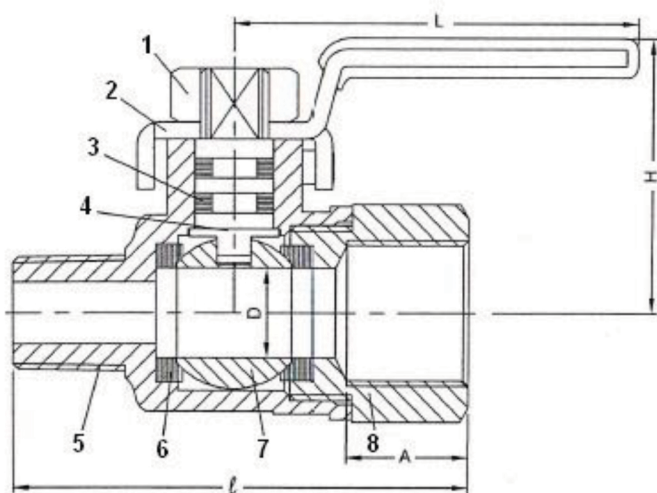
755MFZLF

- Same As Above With Slot Screw

PART NUMBERS & SIZES

Part No.	Size
Male X Female With Lever Handle	
755MF00LF	1/8" X 1/8"
755MF0LF	1/8" X 1/4"
755MF1LF	1/4" X 1/4"
Male X Female With Slot Screw	
755MFZ0LF	1/8" X 1/4"
755MFZ1LF	1/4" X 1/4"

With Lever Handle



DIMENSIONS

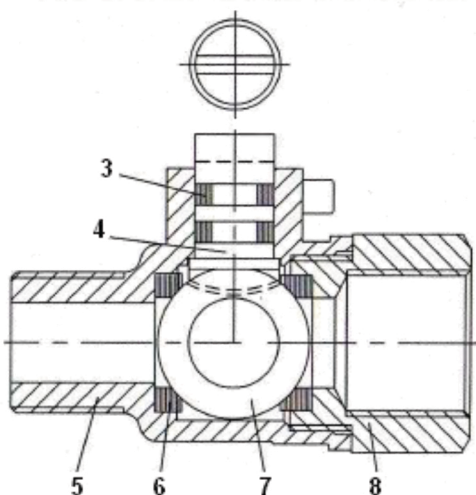
Size	ℓ	H	D	L	A
1/8"	1.60	0.91	0.30	1.42	0.43
1/4"	160	0.91	0.30	1.42	0.43

MATERIAL SPECIFICATIONS

No.	Part	Material
1	Nut	Steel
2	Handle	Steel
3	O-Ring	Rubber
4	Stem	Brass C6802
5	Body	Bronze C89836
6	Seat	PTFE
7	Ball Disc	Brass C6802
8	End Plug	Brass C6802

* These product complies with 0.25% weighted average lead content on wetted surfaces in accordance with Safe Water Drinking Act (SDWA) / Federal Public Law No. 111-380.

With Sloth Screw



CALIFORNIA 5595 Fresca Dr., La Palma CA 90623
TEXAS 1150 Silber Rd., Houston TX 77055
ILLINOIS 278 Windy Point Dr., Glendale Heights, IL 60139
GEORGIA 113 Industrial Blvd., Americus, Georgia 31709
NEW YORK PO Box 27, Rt.22, Brewster NY 10509
 WEB: www.matco-norca.com

• Phone: 866-532-8306 • Fax: 866-532-8307
 • Phone: 800-935-5456 • Fax: 713-680-2999
 • Phone: 844-412-5068 • Fax: 800-640-2252
 • Phone: 800-433-7526 • Fax: 800-533-5134
 • Phone: 800-431-2082 • Fax: 845-278-9056
 EMAIL: mail@matco-norca.com