

# SHERLE WAGNER INTERNATIONAL

## GRECIAN TUB 0292TUB-XXXX



0292TUB-CALA

### PRODUCT FEATURES

- o Carved from solid block of stone
- o Available in various marble and onyx
- o 2-1/2" drain diameter
- o Approximate 2400 lbs (1088.6 kg)
- o Requires a free standing waste system with integrated over flow

### AVAILABLE MARBLE

RSAU Rose Aurora  
ARAB Arabescato  
CARR Cararra  
RUVI Ruvina

CAGR Carnico Grey  
NEMA Negro Marquina  
MARI Marianella  
PTLA Port Laurent

PORT Portoro  
RSDM Rosa Du Monte  
CALA Calacatta  
IMBR Imperador Brown

VERD Verdi Viana  
THAS Ultra White Thasos  
CREMA Crema Marfil

### AVAILABLE ONYX

BROX Brown Onyx  
PKOX Pink Onyx

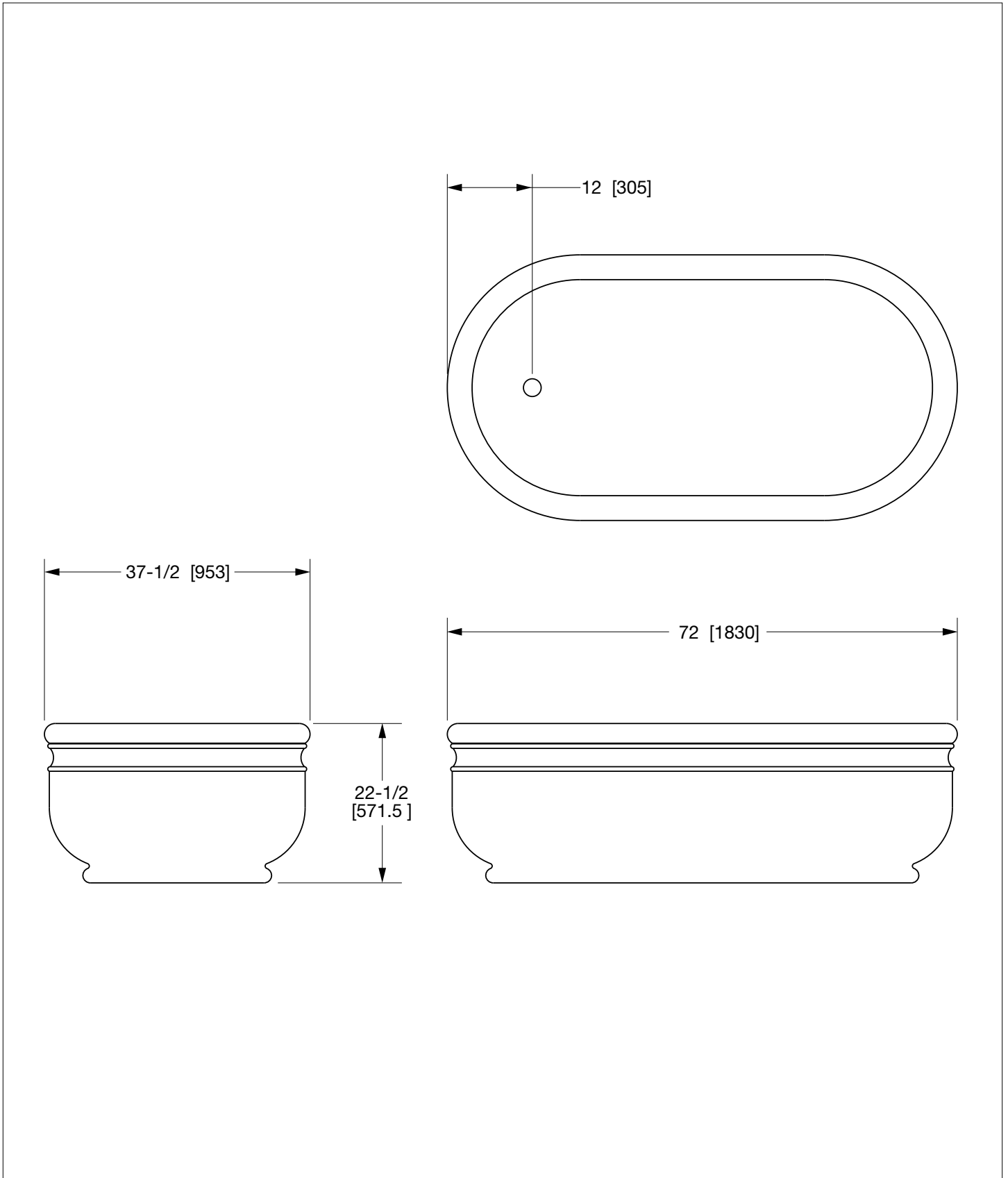
CROX Cream Onyx  
BKOX Black Onyx

WHOX White Onyx  
GROX Green Onyx

HNOX Honey Onyx

# SHERLE WAGNER INTERNATIONAL

**GRECIAN TUB** 0292TUB-XXXX



The measurements shown are for reference only. Products and specifications shown are subject to change without notice.

Rev A