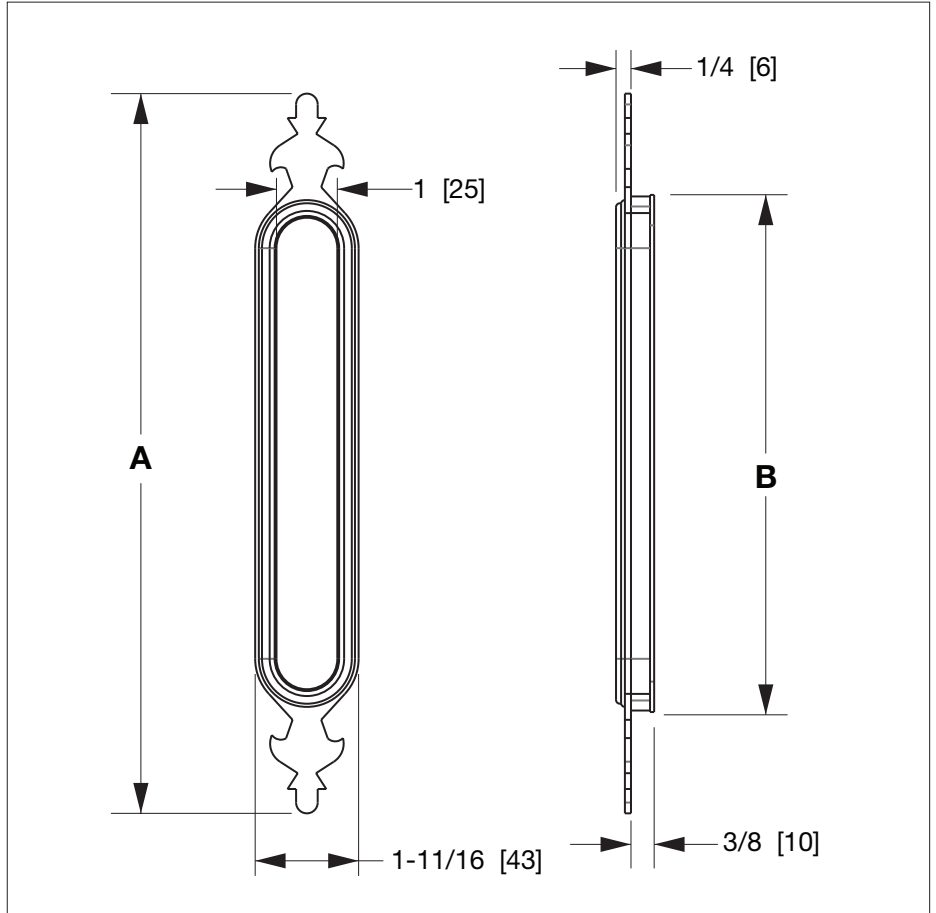


SHERLE WAGNER INTERNATIONAL

LOUIS XVI FLUSH PULL LARGE 1087-10-XX
LOUIS XVI FLUSH PULL MEDIUM 1087-8-XX
LOUIS XVI FLUSH PULL SMALL 1087-XX



1087-10-GP



PRODUCT FEATURES

- o Available in all Sherle Wagner International finishes
- o Solid brass/bronze construction
- o Includes mounting hardware
- o Min door thickness 1.75" (45mm) max 2.25" (57mm) when matching different type

ITEM SIZE	A	B
SMALL	6-5/8" [167 mm]	3-1/4" [83 mm]
MEDIUM	9-7/8" [250 mm]	6-3/4" [171 mm]
LARGE	12-1/8" [307 mm]	8-1/2" [216 mm]

AVAILABLE METAL FINISHES

PN Polished Nickel
 CP Polished Chrome
 BN Brushed Nickel
 BC Brushed Chrome
 SB Satin Brass
 OB Oil Rubbed Brass

PB Polished Brass
 FP Flemish Patina
 EP English Patina
 VA Verdi Antique
 GP Gold Plate
 AL Almond Gold

ES English Silver
 BS Butler Silver
 RG Rose Gold
 AP Antique Pewter
 PE Black Pearl
 BG Burnished Gold

AG Antique Gold
 SP Satin Platinum
 HP High Polished Platinum
 BP Burnished Platinum