






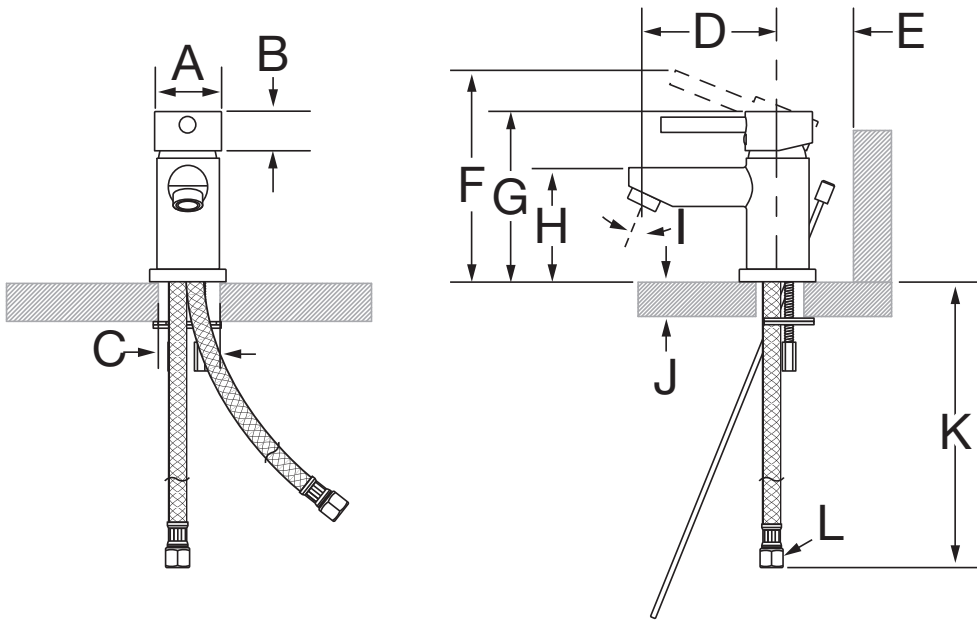
Location:



**SLS-3522-1.5**  
**Single Handle Lavatory Faucet**  
**Specification Submittal**

Model Numbers	Feature Highlights
<input type="checkbox"/> <b>SLS-3522-1.5</b> <i>Single Handle Lavatory Faucet with lift rod and metal drain assembly</i>	<ul style="list-style-type: none"> <li>• Single hole mount configuration</li> <li>• Quarter turn ceramic cartridge</li> <li>• 25 inch braided hose water supply connections</li> <li>• 5" height</li> <li>• Lift rod and metal drain assembly</li> <li>• Standard 1.5 gpm (5.7 L/min) flow rate</li> <li>• Faucet shall be metal construction, plated in standard polished chrome finish</li> </ul>
Finish Options/Modifications	Compliance
<input type="checkbox"/> <b>-1.0</b>  <i>1.0 gpm (3.8 L/min) flow restrictor</i> <input type="checkbox"/> <b>-DP4</b> <i>4" deck plate</i> <input type="checkbox"/> <b>-G</b> <i>Grid drain</i> <input type="checkbox"/> <b>-BBZ</b> <i>Brushed Bronze finish</i> <input type="checkbox"/> <b>-MB</b> <i>Matte Black finish</i> <input type="checkbox"/> <b>-STN</b> <i>Satin Nickel finish</i>	<p>-ASME A112.18.1/CSA B125.1          -NSF/ANSI 61.9; NSF/ANSI 372          -WaterSense 1.5 gpm</p>  
<p><b>Note:</b> Append appropriate -suffix to model number.</p>	Warranty
<p><b>Limited Lifetime</b> - to the original end purchaser in consumer/residential installations.  <b>5 Years</b> - for industrial/commercial installations.          Refer to <a href="http://www.symmons.com/warranty">www.symmons.com/warranty</a> for complete warranty information.</p>	

## Dimensions



Measurements	
A	1-7/8", 48 mm
B	1-3/16", 30 mm
C	Hole Size Min. Ø 1-1/4", 32 mm Max. Ø 1-1/2", 38 mm
D	4-1/16", 103 mm
E	Min. 2-1/2", 64 mm
F	6-1/8", 155 mm
G	5", 127 mm
H	3-5/16", 84 mm
I	26°
J	Deck Thickness Ref. Min. 7/8", 22 mm Max. 1-7/8", 47 mm
K	25-7/8", 658 mm
L	3/8" compression fitting

**Note:** Dimensions subject to change without notice.